

Hydraulic lift crane

**LR 1300 SX**  
Litronic®

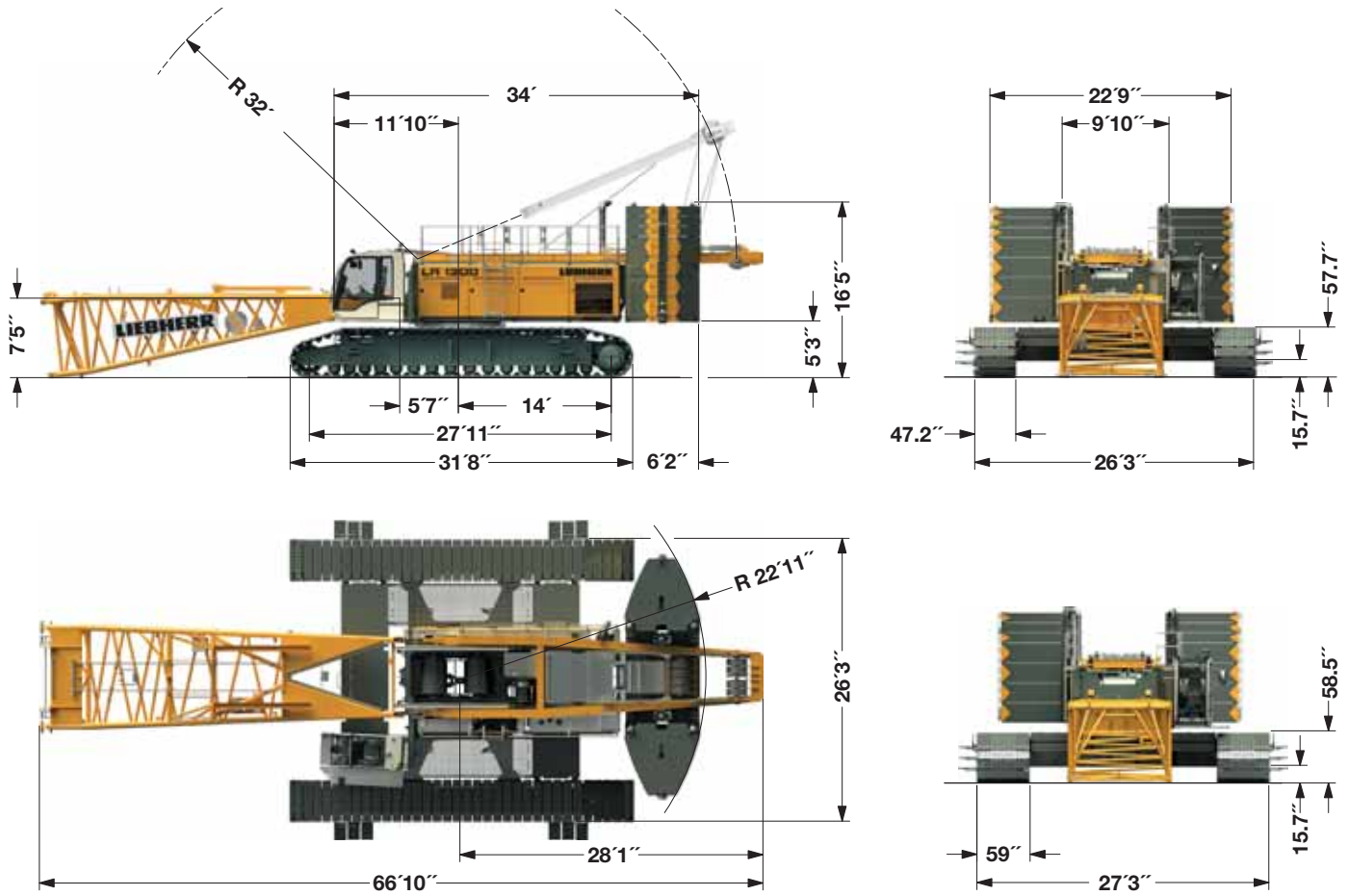
Complies with ANSI/ASME B 30.5  
1006.01



**LIEBHERR**

# Dimensions

Basic machine with undercarriage



## Operating weight

The operating weight includes the basic machine with crawlers, 2 main winches 33,725 lbf and 66 ft main boom, consisting of A-frame, boom foot (33 ft), boom head (23 ft), boom extension (10 ft), 273,400 lbs basic counterweight, 125,700 lbs carbody counterweight and 661,400 lbs hook block.

Total weight \_\_\_\_\_ approx. 639,400 lbs

## Ground pressure

Ground bearing pressure \_\_\_\_\_ 20.6 PSI

## Equipment

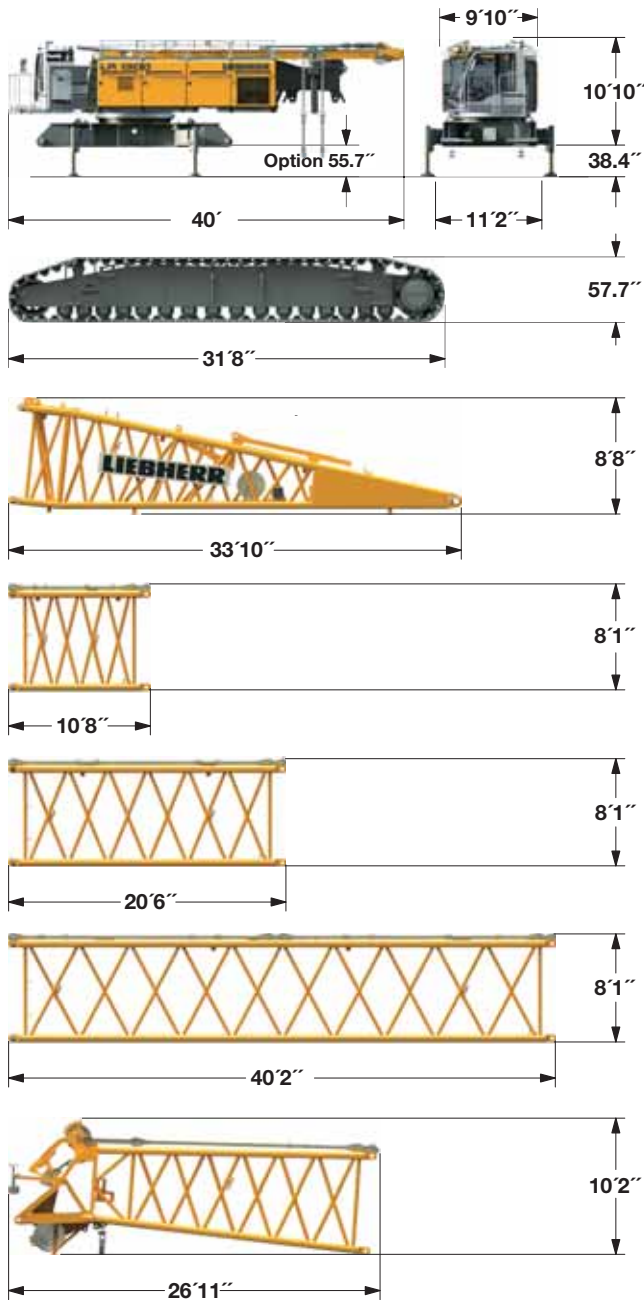
Main boom (No. 2821.xx) max. length \_\_\_\_\_ 302 ft  
 Luffing jib (No. 2316.xx) max. length \_\_\_\_\_ 371 ft  
 Max. combination \_\_\_\_\_ main boom 184 ft and luffing jib 371 ft  
 Luffing jib (No. 1916.xx) max. length \_\_\_\_\_ 312 ft  
 Max. combination \_\_\_\_\_ main boom 213 ft and luffing jib 312 ft  
 Fixed jib (No. 0906.xx) \_\_\_\_\_ 23 ft  
 Fixed jib (No. 1507.xx) \_\_\_\_\_ 26.2 ft  
 Fixed jib (No. 1008.xx) \_\_\_\_\_ 36 ft - 85 ft  
 Fixed jib (No. 1713.xx) \_\_\_\_\_ 46 ft - 115 ft  
 Auxiliary jib \_\_\_\_\_ 79,400 lbs

## Remarks

1. The lifting capacities stated are valid for lifting operation only (corresponding with crane classification according to F.E.M. 1.001 crane group A1).
2. Crane standing on firm, horizontal ground.
3. The weight of the lifting device (hoist ropes, hook block, shackle etc.) must be deducted from the gross lifting capacity to obtain a net lifting value.
4. Additional equipment on boom (e.g. boom walkways, auxiliary jib) must be deducted to get the net lifting capacity.
5. For max. wind speed please refer to lift chart in operator's cab or manual.
6. Working radii are measured from center of swing and under load.
7. The lifting capacities are valid for 360 degrees of swing.
8. Calculation of stability under load is based on ANSI/ASME B 30.5 load ratings as well as ISO 4305 Table 2 and is tested according to SAE J765.
9. Loads for calculation of structures are corresponding to F.E.M. 1.001-1998 and are tested according to SAE J987.

# Transport dimensions and weights

Basic machine and boom (No. 2821.xx)



\*) Weights depend on the equipment installed

## Basic machine

with A-frame, 2x 33,725 lbf crane winches, without boom foot, basic counterweight and crawlers

Width	9'10"
Weight without hoist rope	101,450 lbs
Weight of hoist rope	2.75 lbs/ft

## Crawler

	Optional	Standard
Track pads	59 inch	47.2 inch
Width	59 inch	55.1 inch
Weight	57,765 lbs	49,275 lbs

## Boom foot (No. 2821.30)

Width	9'9"
Weight without winch	12,570 lbs
Weight incl. winch and rope	16,315 lbs

## Boom section (No. 2821.30)

	10 ft
Width	9'9"
Weight incl. main boom pendants	3,090 lbs
Weight incl. main boom and luffing jib pendants	3,310 lbs

## Boom section (No. 2821.30)

	20 ft
Width	9'9"
Weight incl. main boom pendants	4,700 lbs
Weight incl. main boom and luffing jib pendants	5,100 lbs

## Boom section (No. 2821.30)

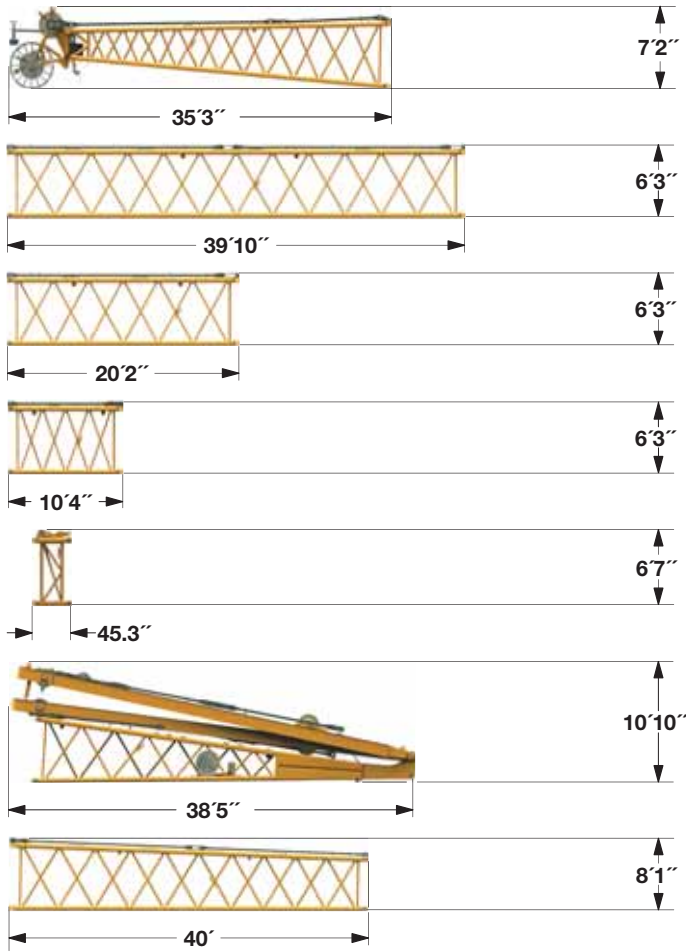
	40 ft
Width	9'9"
Weight incl. main boom pendants	8,290 lbs
Weight incl. main boom and luffing jib pendants	9,090 lbs

## Boom head (No. 2821.24)

Width	9'9"
Weight incl. main boom pendants	11,905 lbs

# Transport dimensions and weights

## Luffing jib (No. 2316.xx)



### Luffing jib head (No. 2316.20)

Width	8'
Weight*	5,070 lbs

### Luffing jib section (No. 2316.20) 40 ft

Width	8'
Weight*	3,970 lbs

### Luffing jib section (No. 2316.20) 20 ft

Width	8'
Weight*	2,100 lbs

### Luffing jib section (No. 2316.20) 10 ft

Width	8'
Weight*	1,325 lbs

### L-boom jib section (No. 2316.20) 39.4 inch

Width	8'
Weight*	1,415 lbs

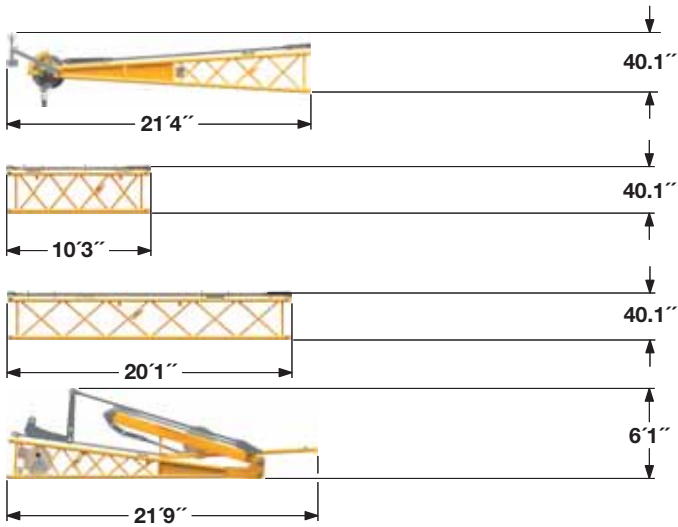
### Luffing jib foot with A-frames (No. 2316.22)

Width	8'9"
Weight*	17,800 lbs

### L-boom section tapered (No. 2821/2316.24) 40 ft

Width	9'9"
Weight*	5,955 lbs

## Fixed jib (No. 1008.xx)



### Fixed jib head (No. 1008.20)

Width	43 inch
Weight*	2,030 lbs

### Fixed jib section (No. 1008.17) 10 ft

Width	43 inch
Weight*	660 lbs

### Fixed jib section (No. 1008.17) 20 ft

Width	43 inch
Weight*	1,005 lbs

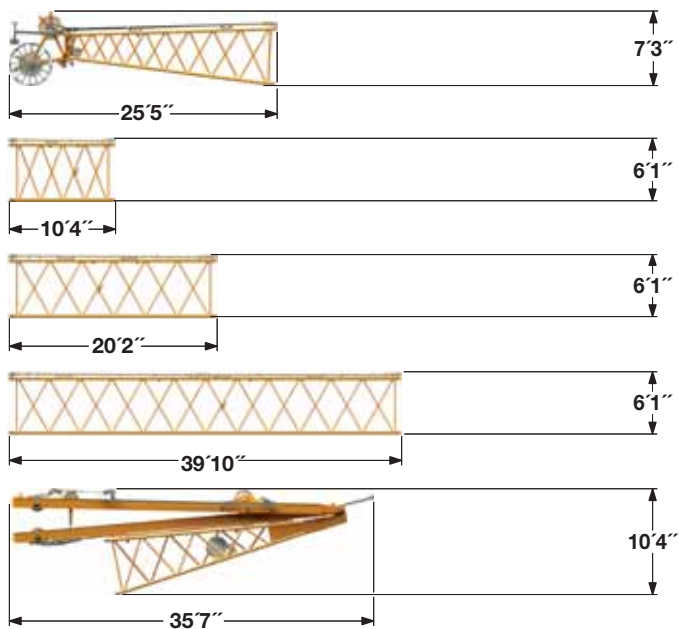
### Fixed jib foot with A-frame (No. 1008.20)

Width	7'3"
Weight*	4,300 lbs

\*) Including carbon fibre pendants

# Transport dimensions and weights

## Luffing jib (No. 1916.xx)



### Luffing jib head (No. 1916.21)

Width	6'7"
Weight*	3,420 lbs

### Luffing jib section (No. 1916.18)

	<b>10 ft</b>
Width	6'7"
Weight*	1,050 lbs

### Luffing jib section (No. 1916.18)

	<b>20 ft</b>
Width	6'7"
Weight*	1,525 lbs

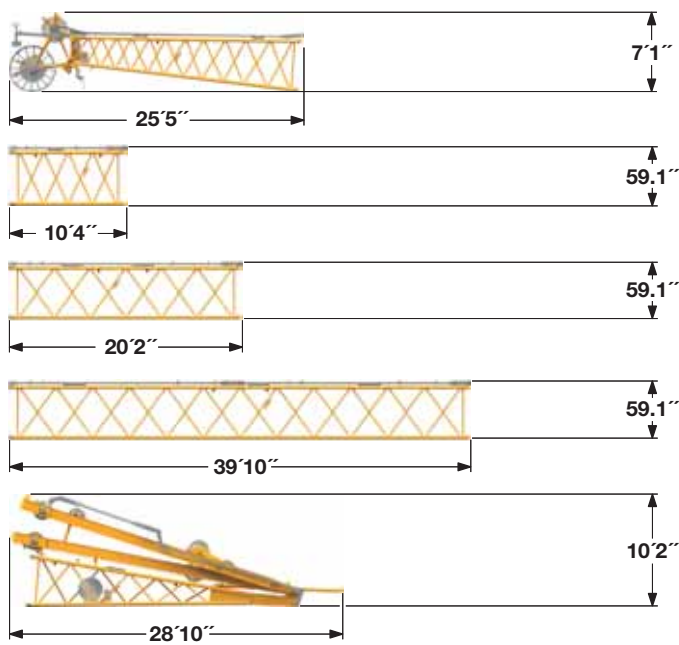
### Luffing jib section (No. 1916.18)

	<b>40 ft</b>
Width	6'7"
Weight*	2,755 lbs

### Luffing jib foot with A-frames (No. 1916.22)

Width	6'7"
Weight*	13,890 lbs

## Fixed jib (No. 1713.xx)



### Fixed jib head (No. 1713.21)

Width	6'
Weight*	3,035 lbs

### Fixed jib section (No. 1713.18)

	<b>10 ft</b>
Width	6'
Weight*	950 lbs

### Fixed jib section (No. 1713.18)

	<b>20 ft</b>
Width	6'
Weight*	1,390 lbs

### Fixed jib section (No. 1713.18)

	<b>40 ft</b>
Width	6'
Weight*	2,515 lbs

### Fixed jib foot with A-frame (No. 1713.22)

Width	6'
Weight*	10,185 lbs

\*) Including carbon fibre pendants

# Transport dimensions and weights

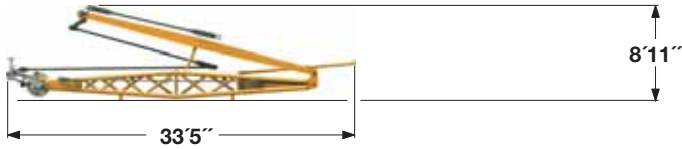
Fixed jib (No. 0906.xx)



**Fixed jib** (No. 0906.21)

Width	59.1 inch
Weight*	5,300 lbs

Fixed jib (No. 1507.20)



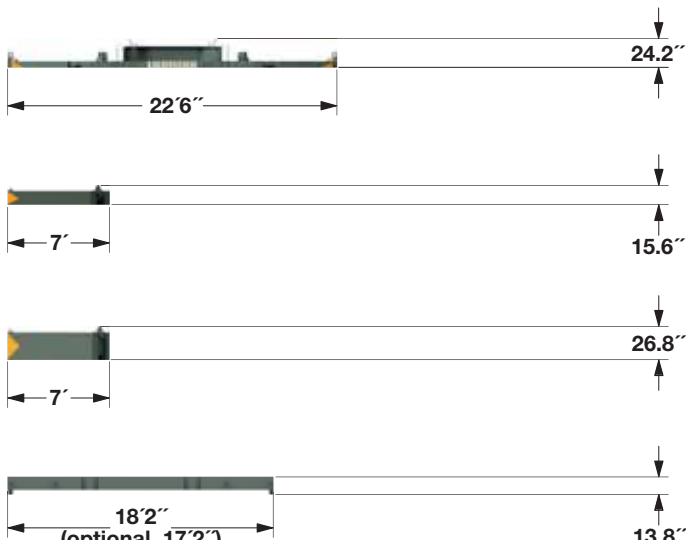
**Fixed jib** (No. 1507.20)

Width	8'1"
Weight*	7,275 lbs

\*) Including carbon fibre pendants

# Transport dimensions and weights

## Counterweights



### Counterweight 1x

Width	6'11"
Weight	31,970 lbs

### Counterweight 6x

Width	6'11"
Weight	11,025 lbs

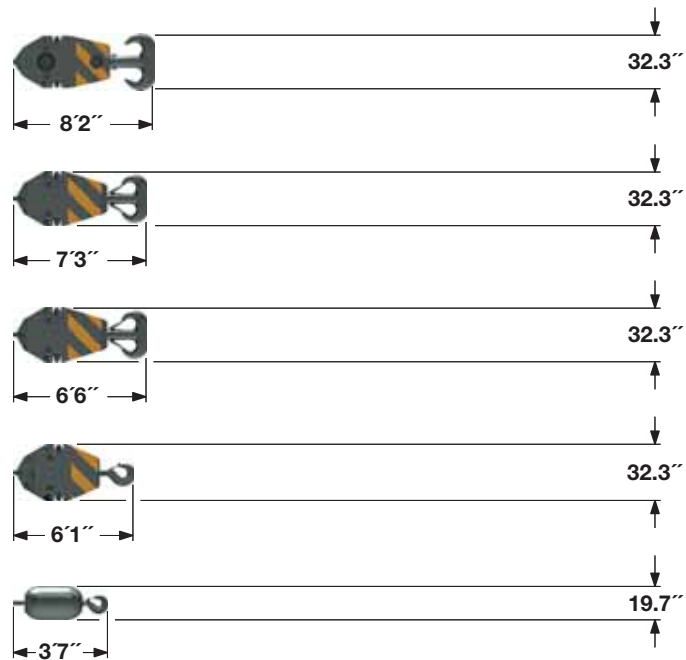
### Counterweight 8x

Width	6'11"
Weight	22,050 lbs

### Carbody counterweight 4x

	Optional	Standard
Width	59.1 inch	47.2 inch
Weight	29,545 lbs	31,420 lbs

## Hooks



### 661,400 lbs hook block – 11 sheaves

Width	34.6	48.4	inch
Weight	7,055	12,125	lbs

### 330,700 lbs hook block – 5 sheaves

Width	19.7	26.0	32.3	inch
Weight	3,530	6,180	8,820	lbs

### 220,500 lbs hook block – 3 sheaves

Width	13.4	18.9	24.4	inch
Weight	2,425	4,520	6,620	lbs

### 110,230 lbs hook block – 1 sheave

Width	11.0	16.1	21.3	inch
Weight	1,765	3,530	5,295	lbs

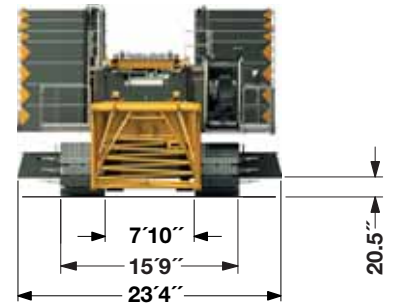
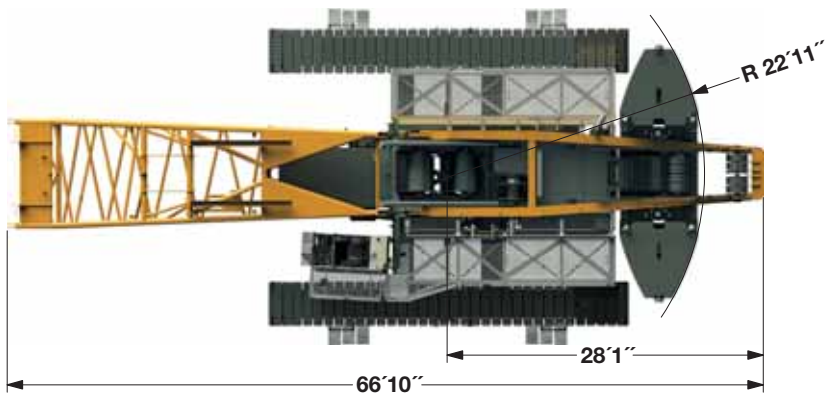
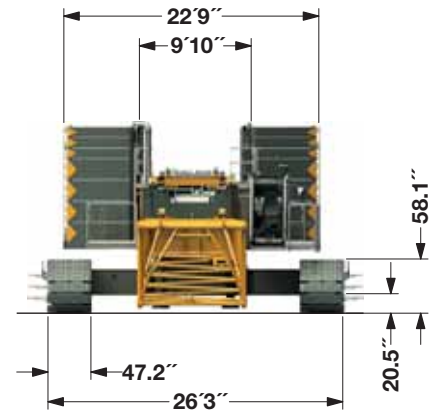
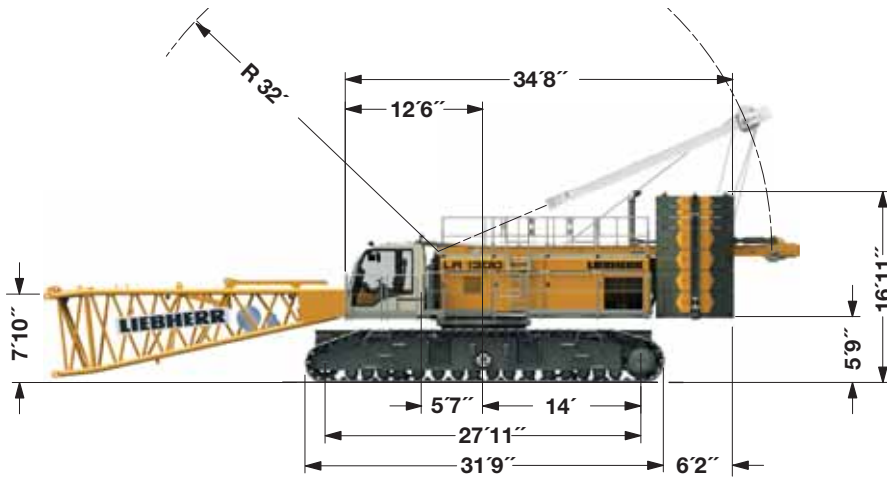
### 35,300 lbs single hook

Width	19.7	inch
Weight	1,985	lbs



# Dimensions

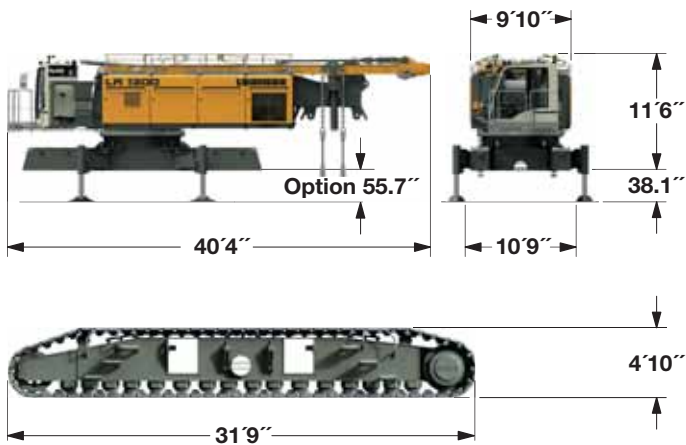
Basic machine with telescopic undercarriage (optional)





# Transport dimensions and weights

Basic machine (optional)



## Basic machine

with A-frame, 2x 33,725 lbf crane winches, without boom foot, basic counterweight and crawlers

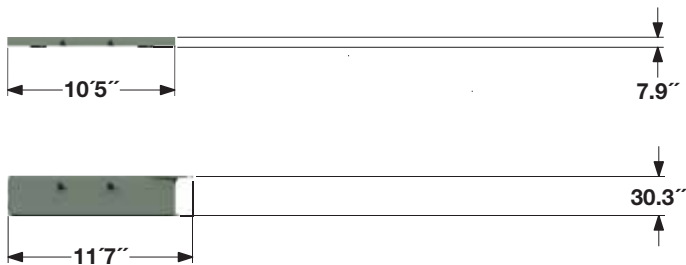
Width	9'10"
Weight without hoist rope	102,515 lbs
Weight of hoist rope	2.75 lbs/ft

## Crawler

2x

Track pads	47.2 inch
Width	47.2 inch
Weight	50,710 lbs

Carbody counterweights (optional)



## Carbody counterweight

2x

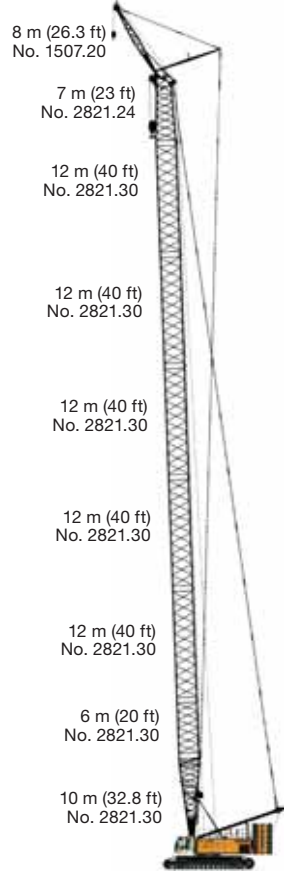
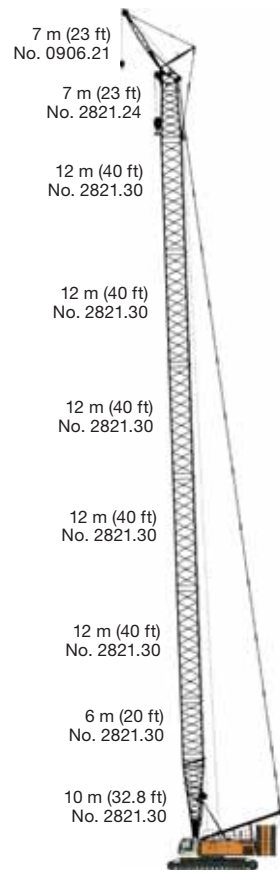
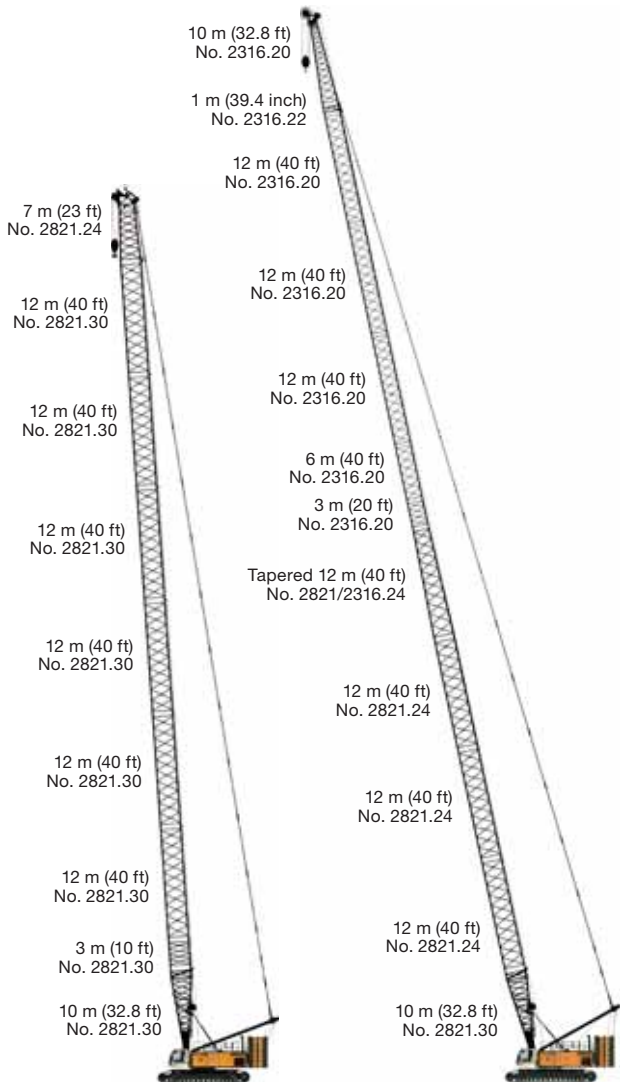
Width	5'11"
Weight	13,670 lbs

## Carbody counterweight

2x

Width	5'11"
Weight	44,315 lbs

# Boom combinations

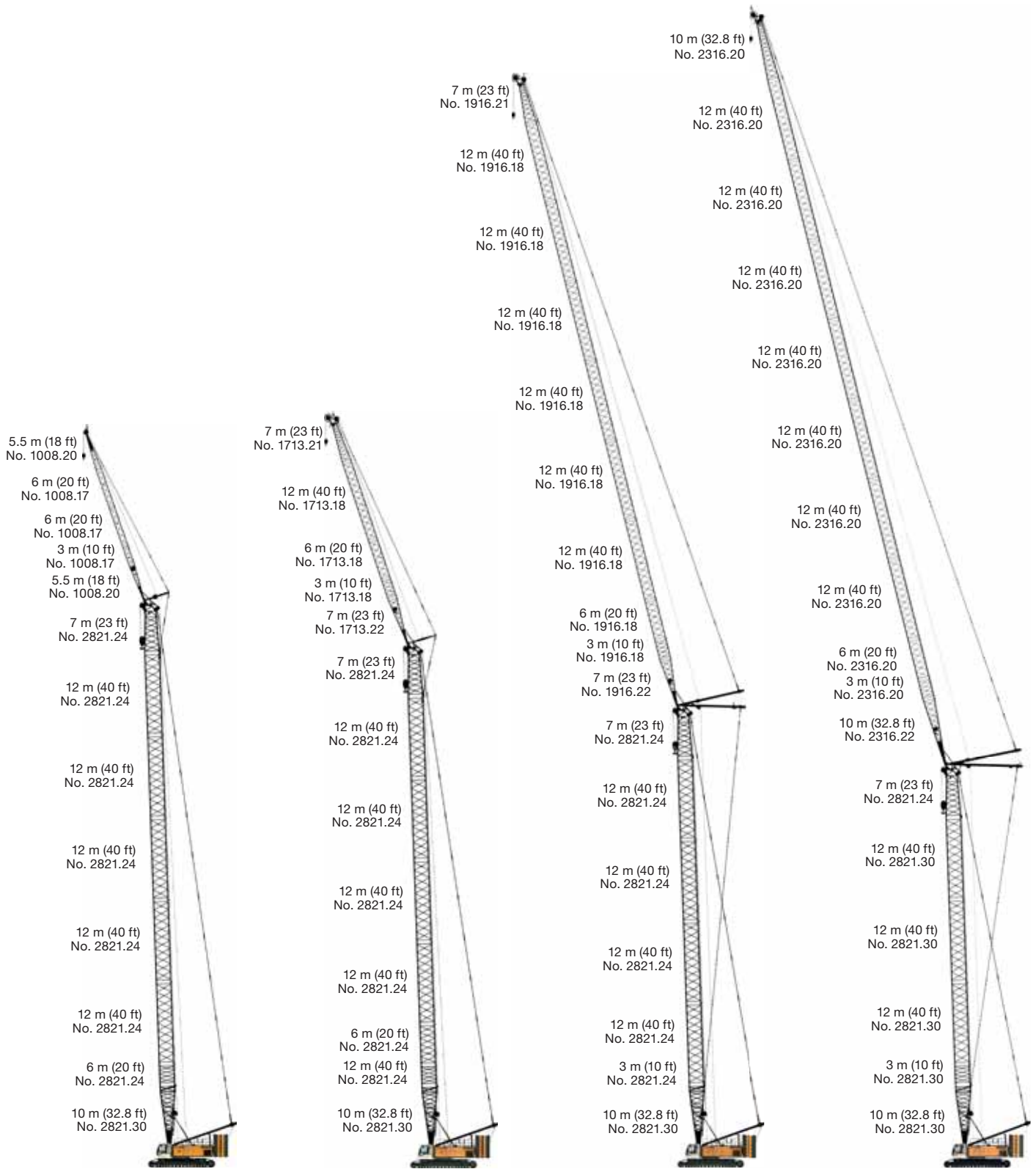


Main boom	No. 2821.xx	—	302 ft
-----------	-------------	---	--------

Max. combination			404 ft
Main boom	No. 2321.xx	-	151 ft
Tapered	No. 2821/2316.xx	-	40 ft
Luffing jib	No. 2316.xx	-	213 ft

Max. combination			295 ft
Main boom	No. 2821.xx	-	272 ft
Fixed jib	No. 0906.21	-	23 ft

Max. combination			298 ft
Main boom	No. 2821.xx	—	272 ft
Fixed jib	No. 1507.21	—	26 ft



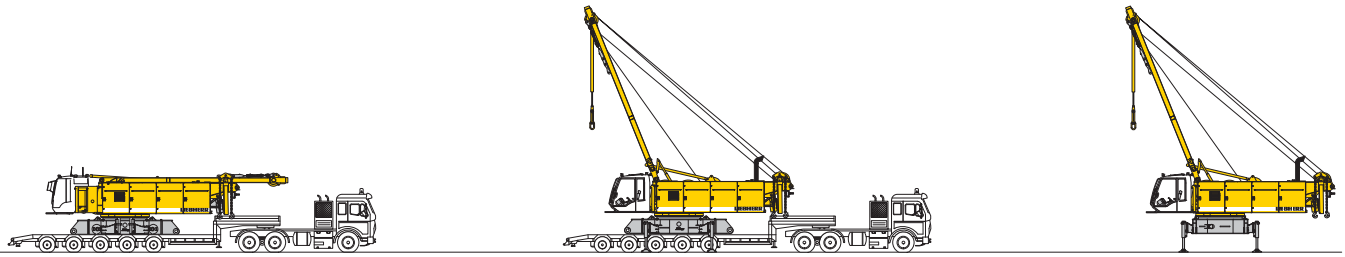
Max. combination — 357 ft  
 Main boom No. 2821.xx - 272 ft  
 Fixed jib No. 1008.xx - 85 ft

Max. combination — 368 ft  
 Main boom No. 2821.xx - 253 ft  
 Fixed jib No. 1713.xx - 115 ft

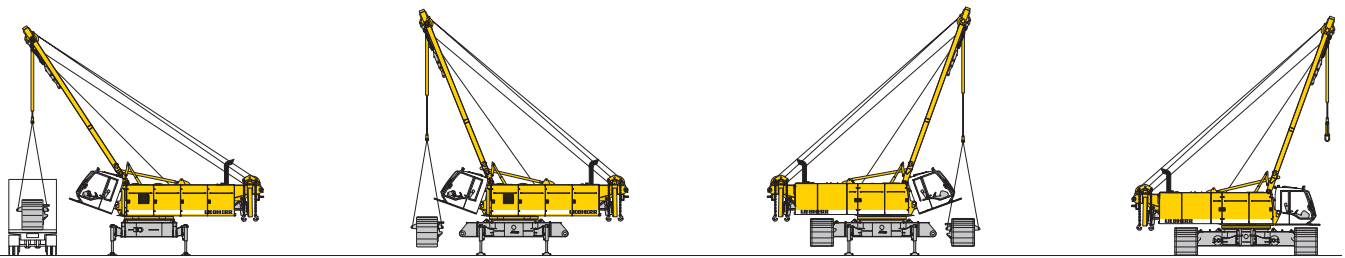
Max. combination — 535 ft  
 Main boom No. 2821.xx - 223 ft  
 Luffing jib No. 1916.xx - 312 ft  
 Max. combination — 417 ft  
 Main boom No. 2821.xx - 243 ft  
 Luffing jib No. 1916.xx - 174 ft

Max. combination — 555 ft  
 Main boom No. 2821.xx - 184 ft  
 Luffing jib No. 2316.xx - 371 ft  
 Max. combination — 348 ft  
 Main boom No. 2821.xx - 223 ft  
 Luffing jib No. 2316.xx - 125 ft

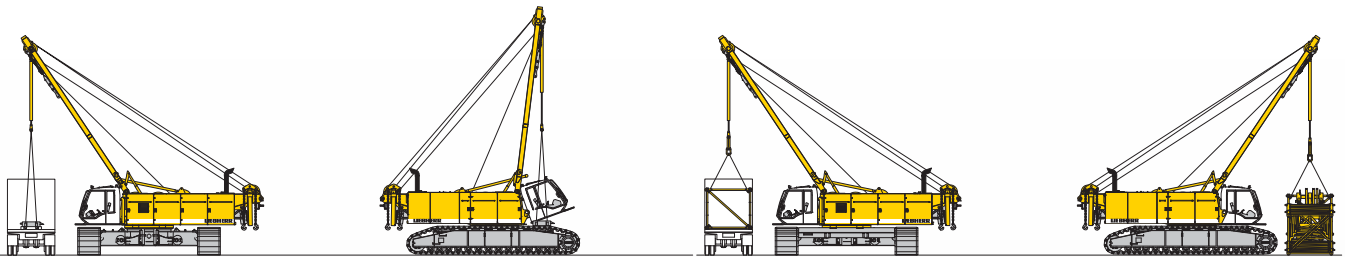
# Self-assembly system



Unloading of basic machine

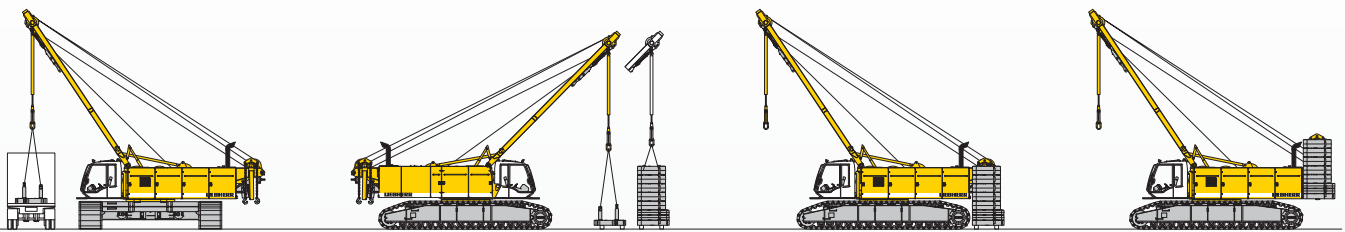


Unloading and assembly of crawlers



Unloading and assembly of carbody counterweight

Unloading and assembly of boom

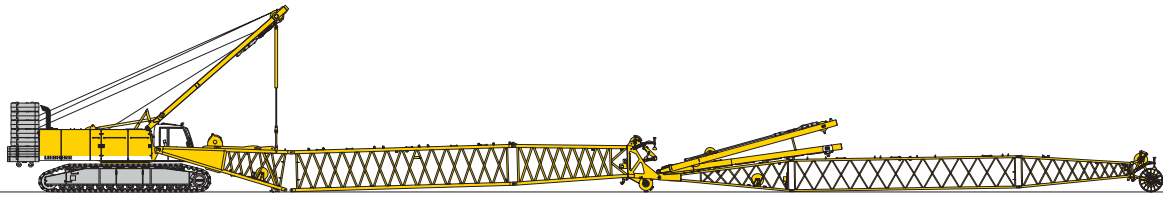


Unloading and assembly of counterweight

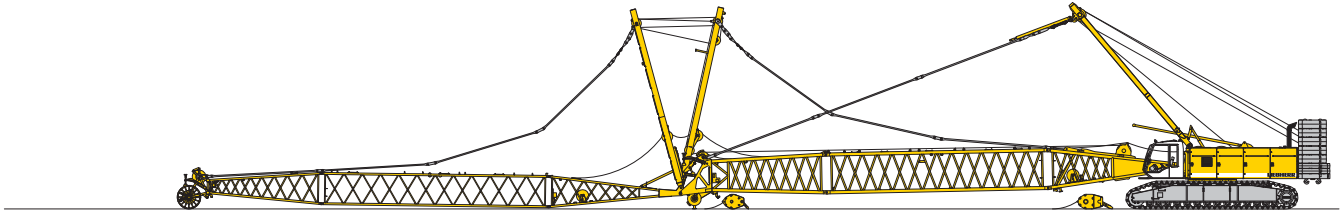


Unloading and assembly of boom foot

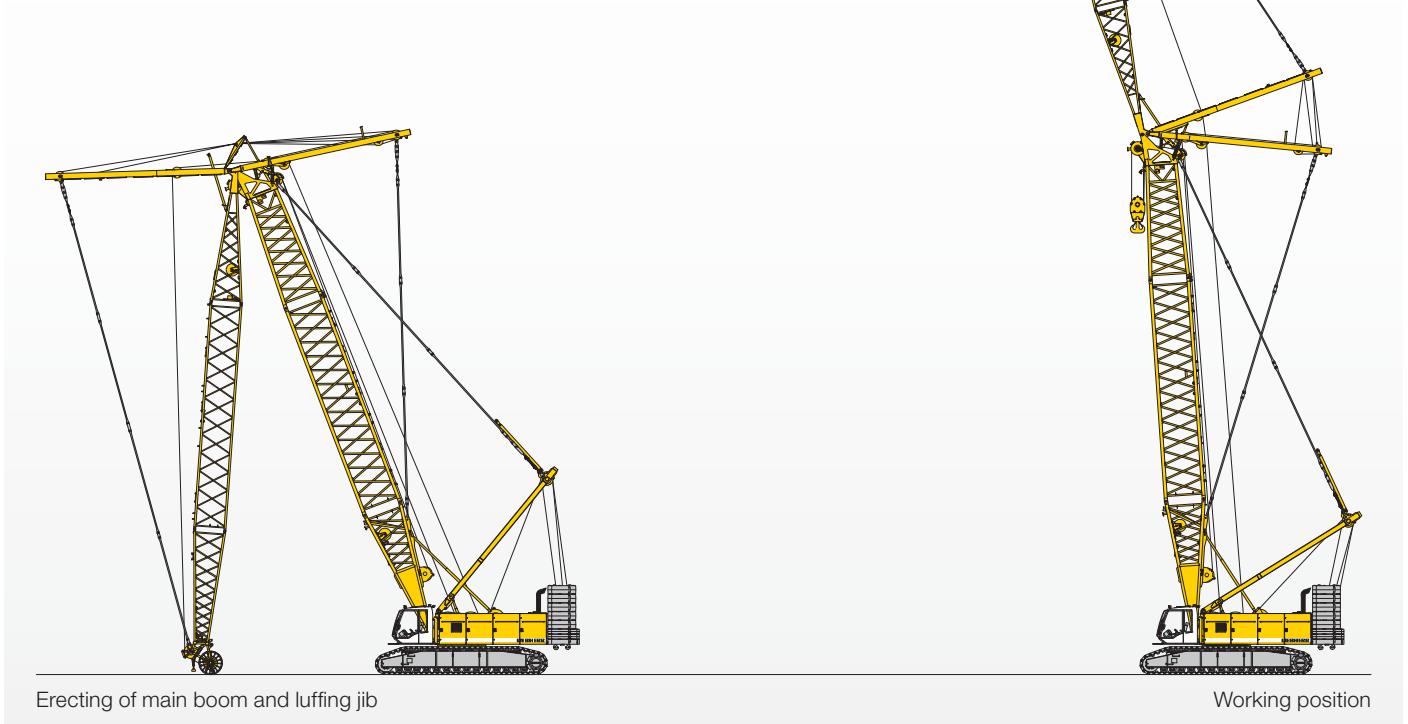
# Erecting of main boom to working position



Assembly of boom



Reeving of hoist and luffing jib ropes

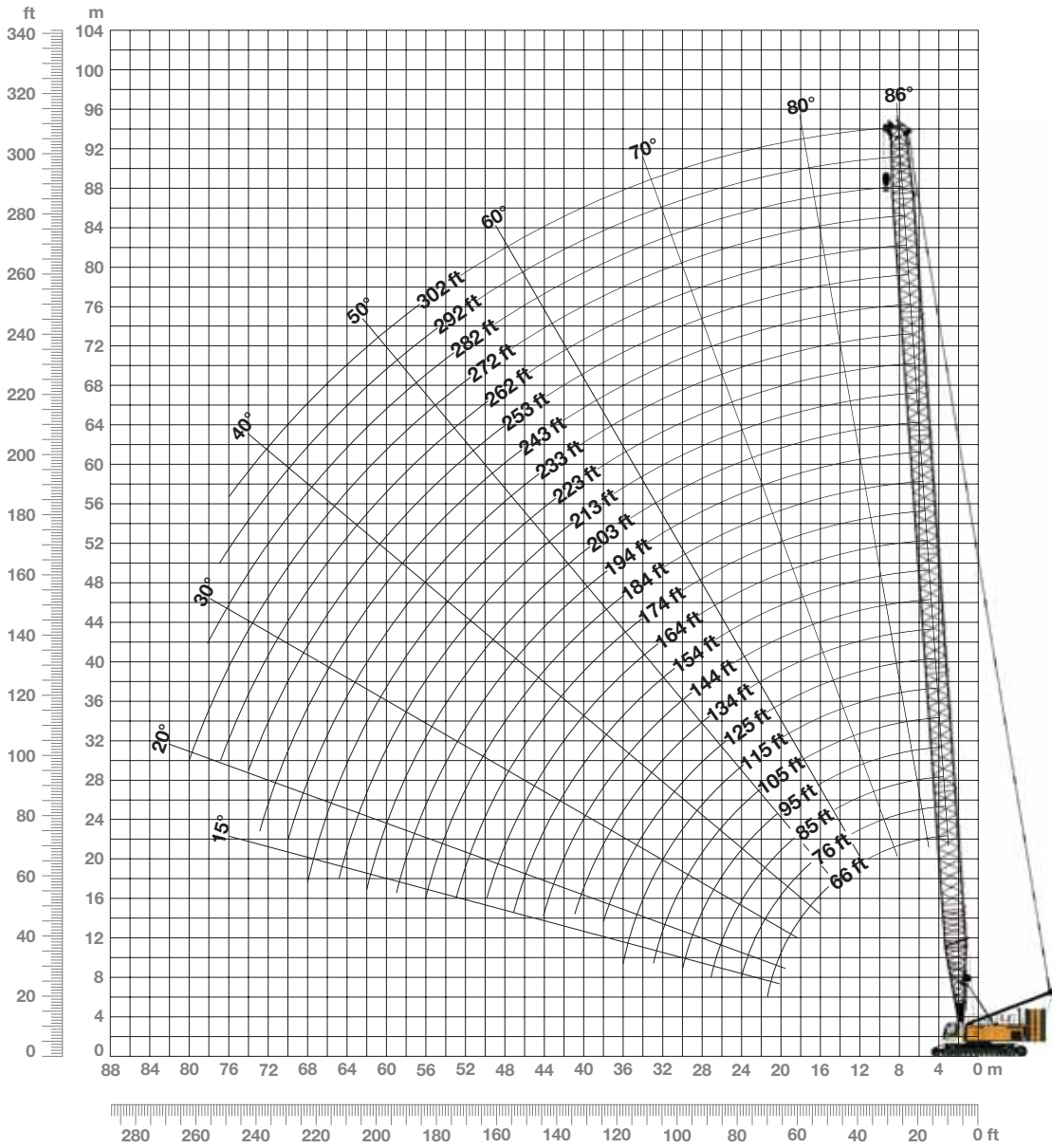


Erecting of main boom and luffing jib

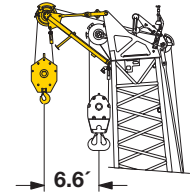
Working position

# Main boom 86° - 15° (No. 2821.xx)

273,400 lbs counterweight and 125,700 lbs carbody counterweight



## Auxiliary jib 79,400 lbs



The maximum capacity of the auxiliary jib is 79,400 lbs. The corresponding load chart is programmed in the LMI system.

### Main boom configuration (No. 2821.xx)

#### Configuration for boom lengths between 66 ft and 302 ft

	Length*	Amount of boom extensions																									
Boom foot	33 ft	1	1	1	1	1	1	1	1	1	1	1	1	1	1	1	1	1	1	1	1	1	1	1	1		
Boom insert	10 ft	1		1		1		1		1		1		1		1		1		1		1		1			
Boom insert	20 ft		1	1		1	1		1	1		1	1		1	1		1	1		1	1		1	1		
Boom insert	40 ft				1	1	1	1	1	2	2	2	2	3	3	3	3	4	4	4	4	5	5	5	5	6	6
Boom head	23 ft	1	1	1	1	1	1	1	1	1	1	1	1	1	1	1	1	1	1	1	1	1	1	1	1	1	
Boom length (ft)		66	76	85	95	105	115	125	134	144	154	164	174	184	194	203	213	223	233	243	253	262	272	282	292	302	

\*Actual lengths of boom sections are metric (e.g. 3 m, 6 m, 7 m, 10 m, 12 m). The figures shown above are approximate conversions to feet.

# Lift chart for main boom (No. 2821.xx)

TLT 10539958 - M107135 Offiziell

229,300 lbs counterweight and 125,700 lbs carbody counterweight

**Capacities in 1000 lbs for main boom lengths (66 ft - 282 ft) - with 33,725 lbs winches  
229,300 lbs counterweight and 125,700 lbs carbody counterweight**

Radius (ft)	Boom length in (ft)														Radius (ft)	
	66 lbs	75 lbs	85 lbs	105 lbs	125 lbs	144 lbs	164 lbs	184 lbs	203 lbs	223 lbs	243 lbs	262 lbs	272 lbs	282 lbs		
15	662,4	662,4														15
20	578,7	578,3	577,1	574,4	570,0	526,0										20
25	459,0	458,7	457,5	456,4	454,5	453,0	447,4	430,7	369,5							25
30	379,1	378,8	377,7	376,7	374,7	373,3	371,2	369,6	344,9	326,4	291,8	249,7	242,4	227,7		30
40	274,0	274,4	274,2	274,3	273,8	273,4	271,4	269,7	265,7	259,2	252,7	239,8	235,6	222,8		40
50	198,5	198,8	198,6	198,5	197,8	197,3	196,4	195,7	194,7	193,9	190,0	185,4	183,1	180,7		50
60	154,0	154,4	154,1	154,1	153,3	152,6	151,6	150,8	149,7	148,8	147,7	146,4	144,5	142,5		60
70		125,0	124,8	124,8	123,9	123,2	122,1	121,2	120,1	119,1	117,9	116,9	116,3	115,7		70
80			103,9	104,0	103,1	102,4	101,3	100,3	99,1	98,1	96,9	95,8	95,2	94,5		80
90				88,4	87,6	86,9	85,7	84,8	83,5	82,4	81,2	80,0	79,4	78,8		90
105				71,1	70,4	69,8	68,6	67,6	66,4	65,2	63,9	62,8	62,1	61,4		105
125					54,4	53,9	52,8	51,8	50,5	49,4	48,0	46,8	46,2	45,4		125
145						42,5	41,6	40,6	39,3	38,2	36,8	35,6	35,0	34,2		145
165							33,2	32,5	31,2	30,1	28,7	27,5	26,9	26,1		165
185								25,9	24,7	23,7	22,3	21,1	20,5	19,7		185
200									20,7	19,7	18,4	17,2	16,5	15,8		200
220										15,2	13,9	12,8	12,1	11,4		220
240											10,2	9,1	8,5	7,7		240
260												5,9	5,3	4,6		260
270													3,9	3,2		270
275														2,4		275

# Lift chart for main boom (No. 2821.xx)

273,400 lbs counterweight and 125,700 lbs carbody counterweight

**Capacities in 1000 lbs for main boom lengths (66 ft - 302 ft) - with 33,725 lbs winches  
273,400 lbs counterweight and 125,700 lbs carbody counterweight**

Radius (ft)	Boom length in (ft)																Radius (ft)
	66 lbs	75 lbs	85 lbs	105 lbs	125 lbs	144 lbs	164 lbs	184 lbs	203 lbs	223 lbs	243 lbs	262 lbs	272 lbs	282 lbs	292 lbs	302 lbs	
20,9							480,4										20,9
25						453,8	447,4	430,7	369,5								25
30				398,1	389,6	384,3	379,7	370,3	344,9	326,4	291,8	249,7	242,4	227,7	214,8		30
35			345,3	341,5	338,1	332,7	326,1	322,4	314,7	300,7	278,3	245,7	240,7	227,0	214,8	198,8	35
40	300,7	300,5	299,4	298,4	295,0	291,9	289,2	281,4	274,6	271,7	267,1	239,8	235,6	222,8	210,8	195,5	40
60	174,7	175,1	174,9	174,8	174,0	173,3	172,3	171,5	170,4	169,5	168,4	167,4	166,2	163,9	161,6	155,6	60
70		142,2	142,0	141,9	141,1	140,4	139,3	138,4	137,3	136,3	135,1	134,1	133,5	132,9	132,4	130,9	70
80			118,6	118,6	117,8	117,1	115,9	115,0	113,8	112,8	111,5	110,4	109,8	109,2	108,7	108,1	80
90				101,2	100,4	99,7	98,5	97,5	96,3	95,2	94,0	92,8	92,2	91,6	91,0	90,4	90
105				81,8	81,2	80,5	79,3	78,4	77,1	76,0	74,7	73,5	72,9	72,2	71,6	71,0	105
125					63,2	62,7	61,6	60,6	59,3	58,2	56,9	55,6	55,0	54,3	53,7	53,0	125
145						50,0	49,1	48,1	46,9	45,7	44,4	43,1	42,5	41,7	41,2	40,5	145
165							39,6	38,8	37,6	36,5	35,1	33,9	33,4	32,7	31,9	31,2	165
185								31,6	30,5	29,4	28,1	26,9	26,2	25,5	24,9	24,2	185
200									26,0	25,0	23,7	22,5	21,8	21,1	20,5	19,8	200
220										20,0	18,8	17,6	16,9	16,2	15,6	14,9	220
240											14,6	13,5	12,9	12,1	11,6	10,8	240
260												9,9	9,4	8,4	7,7	6,6	260
270													7,6	6,5	5,8	4,7	270
280														4,6	4,0	2,9	280
285															3,1		285

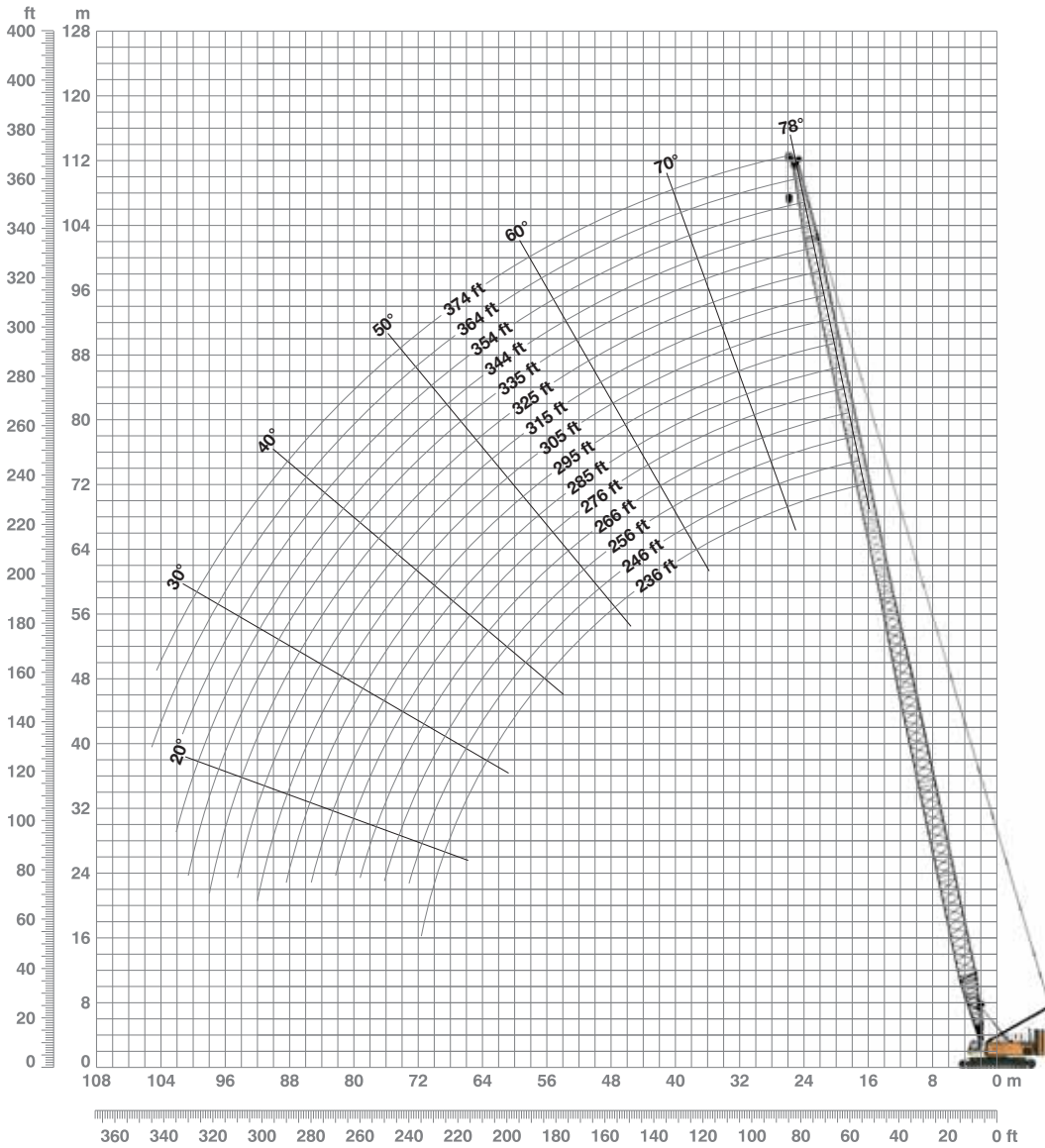
Above lift chart is for reference only.

For actual lift duty and complete chart with all available configurations please refer to lift chart in operator's cab or manual.



# L-boom high reach 236 ft - 404 ft (No. 2821/2316.xx)

Working range 78° - 15°



## L-boom configuration with 151 ft main boom (No. 2821.xx)

### Configuration for L-boom lengths (236 ft - 404 ft)

	Length*	Amount of boom and luffing jib extensions														
		1	1	1	1	1	1	1	1	1	1	1	1	1	1	1
Boom foot	33 ft	1	1	1	1	1	1	1	1	1	1	1	1	1	1	1
Boom insert	40 ft	3	3	3	3	3	3	3	3	3	3	3	3	3	3	3
Tapered	40 ft	1	1	1	1	1	1	1	1	1	1	1	1	1	1	1
Luffing insert	10 ft	1		1			1	1			1	1			1	1
Luffing insert	20 ft		1	1				1	1			1	1			1
Luffing insert	40 ft				1	1	1	1	2	2	2	2	3	3	3	3
Luffing insert	3.3 ft	1	1	1	1	1	1	1	1	1	1	1	1	1	1	1
Luffing jib head	33 ft	1	1	1	1	1	1	1	1	1	1	1	1	1	1	1
Max. L-boom length (ft)		236	246	253	266	276	285	295	305	315	325	335	344	354	364	374

\*Actual lengths of boom sections are metric (e.g. 1 m, 3 m, 6 m, 10 m, 12 m). The figures shown above are approximate conversions to feet.

# Lift chart for L-boom (No. 2821/2316.xx)

TLT 10539958 - M107135 Offiziell

Main boom 151 ft

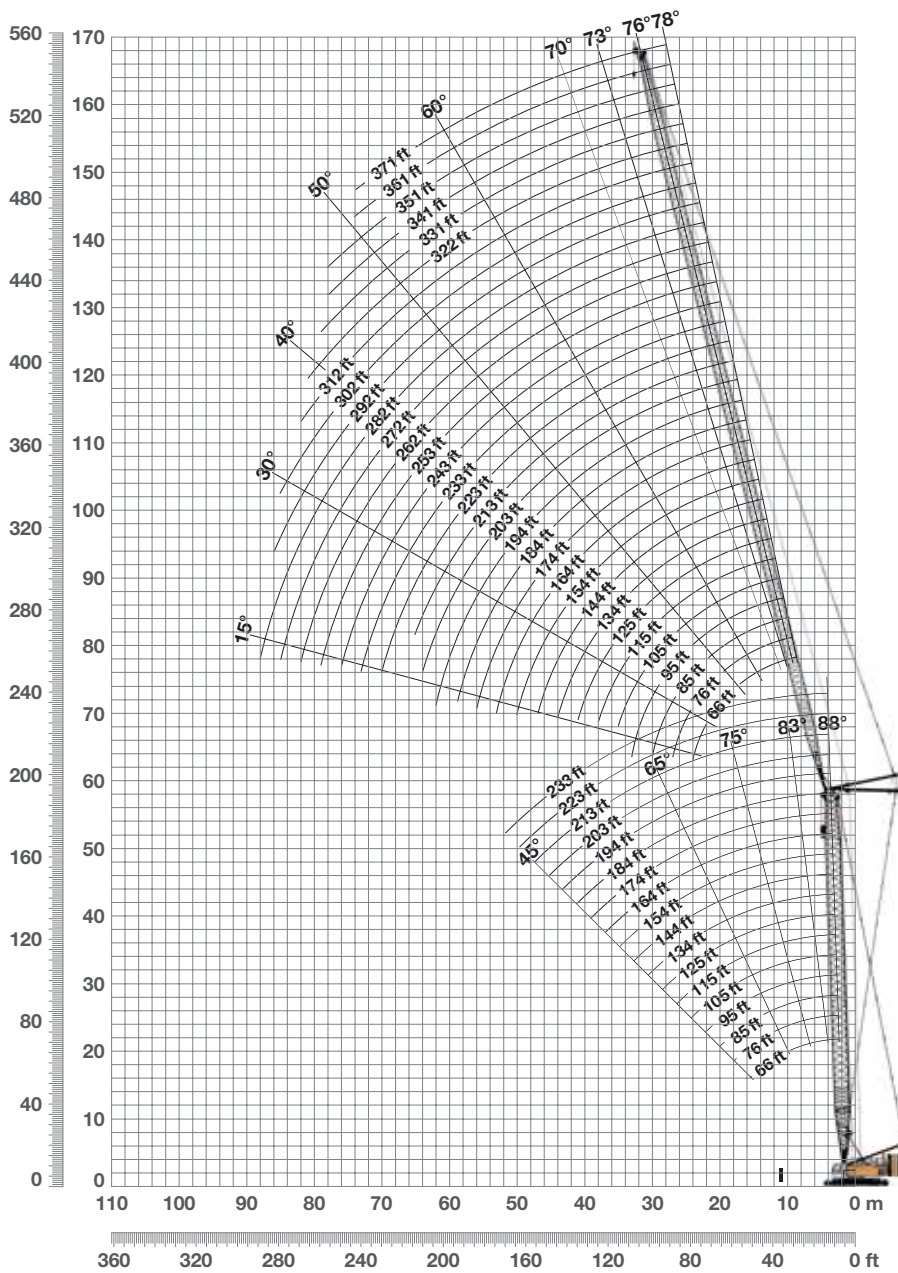
## Capacities in 1000 lbs for L-boom lengths (236 ft - 404 ft) - with 33,725 lbs winches 273,400 lbs counterweight and 125,700 lbs carbody counterweight

Radius (ft)	Boom length in (ft)															Radius (ft)
	236 lbs	246 lbs	256 lbs	266 lbs	276 lbs	285 lbs	295 lbs	305 lbs	315 lbs	325 lbs	335 lbs	344 lbs	354 lbs	364 lbs	374 lbs	
56,5	133,4															56,5
60	125,9	112,2														60
65	115,4	103,9	105,8	91,9	96,1											65
70	106,1	95,4	97,6	85,4	90,2	88,9	92,6									70
75	98,7	88,3	90,3	79,1	83,4	83,5	87,5	88,6	86,3	87,7						75
80	92,5	82,9	84,4	73,8	77,5	77,8	81,6	83,6	83,0	84,2	80,3	78,6				80
85	86,0	77,5	80,1	69,5	72,7	72,9	76,4	78,2	77,7	80,3	78,2	76,3	73,1	58,2		85
90	80,4	72,2	74,6	65,3	68,9	69,0	72,0	73,6	72,7	74,2	73,2	72,9	71,7	56,9	58,6	90
100	72,0	64,0	65,8	57,4	60,5	61,5	64,8	66,7	65,0	64,4	63,6	63,1	62,2	53,7	54,7	100
110	64,5	57,8	59,7	51,8	54,1	55,0	57,5	59,4	59,8	58,7	57,3	55,9	54,7	51,1	50,5	110
120	58,8	52,2	54,0	46,8	49,4	50,4	52,5	53,7	54,1	53,3	52,0	51,1	49,9	48,9	47,3	120
130	53,5	48,1	49,6	42,8	44,8	46,1	48,1	49,1	49,9	49,2	47,7	46,7	45,5	44,5	43,4	130
140	48,1	43,9	45,6	39,8	41,4	42,7	44,2	44,4	45,0	45,1	44,5	43,3	42,0	40,9	39,8	140
150	43,9	40,4	41,7	36,5	38,3	40,1	41,0	40,6	40,6	40,3	39,7	39,3	38,8	38,2	36,8	150
160	39,8	37,8	38,6	33,8	35,5	36,7	37,6	37,8	37,1	36,5	35,7	35,3	34,6	34,2	33,8	160
170	35,7	34,6	35,6	32,2	33,1	33,8	33,8	33,9	33,8	33,5	32,5	31,9	31,1	30,6	30,1	170
180	32,5	31,8	32,0	30,4	31,8	31,5	30,6	30,5	30,3	30,4	30,6	30,0	28,3	27,6	27,0	180
190	30,9	30,2	29,0	28,2	28,9	29,8	28,7	27,9	27,3	27,3	27,2	27,0	26,4	25,9	25,0	190
200	27,8	27,8	27,4	26,3	26,4	26,9	26,2	26,3	25,0	24,8	24,3	24,1	23,5	23,1	22,8	200
210	25,1	25,0	24,7	24,6	24,3	24,4	23,5	23,6	22,9	22,7	21,9	21,6	20,9	20,5	20,1	210
220	22,6	22,6	22,2	22,3	22,2	22,3	21,2	21,2	20,5	20,3	19,9	19,5	18,7	18,3	17,7	220
230	20,1	20,4	20,0	20,2	19,9	20,1	19,3	19,1	18,5	18,1	17,6	17,5	16,9	16,4	15,7	230
235	18,9	19,2	19,0	19,3	18,8	19,0	18,3	18,3	17,5	17,2	16,6	16,5	15,9	15,6	14,8	235
240		18,1	17,9	18,5	17,8	17,9	17,2	17,4	16,7	16,2	15,6	15,5	14,9	14,6	14,0	240
250			15,8	16,3	16,1	15,9	15,3	15,5	15,1	14,7	13,9	13,7	13,1	12,8	12,2	250
260				14,2	14,3	14,3	13,7	13,7	13,3	13,0	12,5	12,2	11,5	11,2	10,6	260
270					12,5	12,4	12,2	12,2	11,7	11,4	10,9	10,9	10,2	9,7	9,1	270
280						10,7	10,6	10,8	10,3	9,9	9,4	9,4	8,9	8,5	7,8	280
290							9,1	9,4	9,0	8,7	8,1	8,0	7,5	6,7	6,7	290
300								8,0	7,6	7,4	7,0	6,8	6,2	4,9	5,2	300
310									6,3	6,2	5,8	5,8	5,1	3,2	3,9	310
320										5,0	4,6	4,2	4,2		2,6	320
330												3,4	2,7	3,1		330
340														2,1		340

Above lift chart is for reference only. For actual lift duty please refer to lift chart in operator's cab or manual.

# Working range - luffing jib 78° - 15° (No. 2316.xx)

Main boom 88° - 45°



**Boom configuration for main boom lengths (66 ft - 223 ft)** – see table on page 12

**Jib configuration for jib lengths (66 ft - 371 ft)**

Length*	Amount of luffing jib extensions																																			
	66	75	85	95	105	115	125	134	144	154	164	174	184	194	203	213	223	233	243	253	262	272	282	292	302	312	322	331	341	351	361	371				
Luffing jib foot	1	1	1	1	1	1	1	1	1	1	1	1	1	1	1	1	1	1	1	1	1	1	1	1	1	1	1	1	1	1	1	1	1	1	1	
Luffing jib insert		1		1		1		1		1		1		1		1		1		1		1		1		1		1		1		1		1		
Luffing jib insert			1	1		1	1		1	1		1	1		1	1		1	1		1	1		1	1		1	1		1	1		1	1		
Luffing jib insert				1	1	1	1	2	2	2	2	3	3	3	3	4	4	4	4	5	5	5	5	6	6	6	6	7	7	7	7					
Luffing jib head	1	1	1	1	1	1	1	1	1	1	1	1	1	1	1	1	1	1	1	1	1	1	1	1	1	1	1	1	1	1	1	1	1	1		
Luffing jib length (ft)	66	75	85	95	105	115	125	134	144	154	164	174	184	194	203	213	223	233	243	253	262	272	282	292	302	312	322	331	341	351	361	371				

\*Actual lengths of boom sections are metric (e.g. 3 m, 6 m, 10 m, 12 m). The figures shown above are approximate conversions to feet.

# Lift chart - luffing jib (No. 2316.xx)

TLT 10539958 - M107135 Offiziell

Main boom angle 88°

## Main boom 66 ft

Radius (ft)	Jib length in (ft)							
	66 lbs	135 lbs	174 lbs	213 lbs	253 lbs	292 lbs	331 lbs	361 lbs
40,6		207,1						
50		168,4	154,6					
60	139,4	131,1	128,3	110,3				
70	108,3	106,3	103,9	100,4	80,6			
75		97,1	97,0	95,3	79,3	55,1		
85		84,6	81,1	79,2	75,5	53,9	39,0	
90		78,8	75,0	73,7	69,5	52,8	38,5	29,6
120		54,9	53,2	50,3	48,1	46,3	33,9	25,9
140		44,0	43,5	40,0	38,6	36,4	30,6	24,0
180			30,3	29,2	27,8	25,4	23,2	19,9
215				22,3	21,0	18,7	16,1	14,4
255					14,5	13,5	11,1	8,6
290						9,0	7,8	2,8
295							7,2	2,0
330							3,6	

## Main boom 105 ft

Radius (ft)	Jib length in (ft)							
	66 lbs	135 lbs	184 lbs	213 lbs	253 lbs	292 lbs	331 lbs	371 lbs
40	258,0							
50	231,5	194,6						
55	210,8	185,3	134,6					
60	185,0	175,2	132,9	102,9				
70	138,9	151,0	128,5	100,1	75,6			
75	113,5	140,2	125,7	98,5	74,7	50,4		
85		121,4	116,9	94,6	72,5	49,8	37,1	
95		106,0	102,4	90,0	69,9	48,5	36,3	26,2
140		54,5	63,7	60,8	59,2	42,7	30,4	21,8
190			34,1	39,4	39,3	35,6	25,9	18,3
215				28,0	31,5	30,7	24,3	17,0
255					19,6	22,4	19,2	14,9
295						12,0	14,1	5,1
310							11,1	2,1
330							7,0	

## Main boom 134 ft

Radius (ft)	Jib length in (ft)							
	66 lbs	135 lbs	174 lbs	213 lbs	253 lbs	292 lbs	331 lbs	371 lbs
28,7	258,0							
45	245,7	185,5						
55	207,6	178,3	133,9					
60	186,8	170,0	131,6	96,4				
70	147,5	151,3	126,3	94,5	70,4			
80		130,9	121,2	91,2	69,1	50,7		
85		121,5	114,6	89,3	68,3	50,2	35,9	
95		106,0	104,1	86,1	66,2	48,4	35,4	25,2
140		57,6	64,8	61,6	58,0	42,0	29,8	21,3
180			39,2	44,1	43,8	37,0	26,6	18,4
220				27,6	31,3	30,2	23,9	16,4
255					20,8	22,7	19,6	15,1
295						13,1	14,9	5,3
310							11,9	2,4
330							7,9	

## Main boom 184 ft

Radius (ft)	Jib length in (ft)							
	66 lbs	135 lbs	174 lbs	213 lbs	253 lbs	292 lbs	331 lbs	371 lbs
30,4	255,6							
45	227,6	147,6						
55	194,1	143,7	108,8					
65	166,1	133,9	105,3	81,2				
70	154,7	129,2	103,1	80,3	61,0			
75	132,8	124,6	101,0	79,1	61,0			
90		110,3	92,9	74,6	58,6	45,1	32,9	
95		105,3	90,1	73,5	57,5	44,4	32,7	23,4
145		54,5	62,1	57,2	48,7	38,5	27,5	19,6
180			41,0	44,7	42,6	34,8	24,9	17,6
220				28,6	31,8	29,6	22,5	15,8
260					19,0	22,4	18,7	14,0
295						13,4	15,7	5,7
310							12,7	2,8
335							7,6	

## Main boom 194 ft

Radius (ft)	Jib length in (ft)							
	66 lbs	135 lbs	174 lbs	213 lbs	253 lbs	292 lbs	331 lbs	341 lbs
30,8	240,6							
50	203,7	139,9						
55	187,7	136,2	104,5					
65	162,3	127,7	101,2	78,5				
70	151,4	123,5	99,0	77,8	59,3			
80		115,1	94,8	75,3	58,6	44,9		
90		106,1	88,9	72,1	57,0	44,5	32,5	29,6
120		79,7	74,0	63,5	51,4	40,8	29,7	27,2
145		55,5	61,5	55,7	47,2	37,8	27,4	25,1
180			41,7	44,5	40,9	33,9	24,8	22,6
220				29,1	31,9	29,0	22,4	20,4
260					19,1	22,7	18,8	17,6
295						13,7	15,4	14,8
335							7,7	8,4
345								6,4

## Main boom 213 ft

Radius (ft)	Jib length in (ft)		
	66 lbs	135 lbs	174 lbs
31,5	214,0		
50	184,6	125,9	
55	173,5	122,5	95,9
60	165,4	118,7	95,0
70	145,8	111,6	91,3
80	33,4	104,0	86,9
90		96,8	81,9
100		90,0	77,8
110		83,7	73,2
120		76,9	68,6
140		61,0	60,9
145		56,1	58,9
160			53,6
180			41,9
185			33,4

## Main boom 223 ft

Radius (ft)	Jib length in (ft)
	125 lbs
44,1	128,9
50	126,8
60	119,1
70	111,0
80	104,0
90	95,4
95	92,0
100	89,1
105	85,6
110	82,3
115	79,3
120	76,8
125	72,3
130	67,0
135	61,6

Capacities in 1000 lbs with luffing jib (No. 2316.xx) 273,400 lbs counterweight + 125,700 lbs carbody counterweight. Above lift chart is for reference only. For actual lift duty and complete chart with all available configurations please refer to lift chart in operator's cab or manual.

# Lift chart - luffing jib (No. 2316.xx)

TLT 10539958 - M107135 Offiziell

Main boom angle 83°

## Main boom 66 ft

Radius (ft)	Jib length in (ft)							
	66 lbs	135 lbs	174 lbs	213 lbs	253 lbs	292 lbs	331 lbs	361 lbs
37,7	258,0							
60	165,7	162,0						
70	129,7	128,6	120,9					
80	98,6	103,3	103,2					
85		94,8	96,0	94,6				
95		80,6	79,9	80,0	72,4			
105		70,9	69,2	68,3	67,4	49,6		
120		59,4	56,6	56,5	55,9	48,0	33,6	
125		56,7	54,0	53,2	51,9	47,1	33,3	24,6
145		46,2	44,4	41,9	40,8	38,8	31,0	23,2
185			32,1	30,0	29,0	26,2	25,1	20,2
220				23,6	21,8	19,5	17,2	14,9
260					15,9	14,1	11,8	8,9
300						9,8	7,9	
335							4,8	

## Main boom 105 ft

Radius (ft)	Jib length in (ft)							
	66 lbs	135 lbs	174 lbs	213 lbs	253 lbs	292 lbs	331 lbs	371 lbs
42,5	258,0							
65	166,5	164,2						
75	139,3	137,1	134,7					
85	115,2	117,4	116,0					
90		109,4	108,0	96,1				
100		96,2	94,8	91,9	70,4			
110		85,6	84,2	82,8	68,8	47,5		
125		73,2	71,9	70,4	65,6	46,1	32,4	
135		66,6	65,3	63,9	62,4	44,8	31,5	22,0
150		56,1	57,2	55,8	54,3	42,7	30,0	21,0
190			38,3	40,9	39,5	37,3	26,5	18,3
225				29,1	31,0	29,6	24,1	16,6
265					20,5	22,7	19,5	13,6
305						12,9	14,9	4,2
340							7,8	

## Main boom 134 ft

Radius (ft)	Jib length in (ft)							
	66 lbs	135 lbs	174 lbs	213 lbs	253 lbs	292 lbs	331 lbs	371 lbs
46,1	234,2							
70	150,3	147,7						
80	127,3	125,0	123,5					
85	118,1	116,0	114,5					
90		108,1	106,6	92,5				
105		89,5	88,1	86,5	66,7			
115		80,1	78,7	77,1	65,3	46,3		
125		72,3	70,9	69,4	63,5	45,5	31,7	
140		62,9	61,6	60,1	58,5	43,5	30,8	21,3
155		55,3	54,2	52,7	51,2	41,7	29,4	20,3
190			41,6	40,3	38,8	37,2	26,5	18,0
230				29,5	29,5	28,0	23,9	16,1
270					20,9	21,5	19,6	13,1
305						14,7	15,8	5,0
345							8,1	

## Main boom 184 ft

Radius (ft)	Jib length in (ft)							
	66 lbs	135 lbs	174 lbs	213 lbs	253 lbs	292 lbs	331 lbs	371 lbs
52,1	195,3							
75	135,0	128,3						
85	115,7	113,2	104,0					
95	100,8	98,7	97,0					
100		92,7	91,1	81,0				
110		82,5	80,9	77,6	60,1			
120		74,2	72,6	71,0	59,1	42,7		
130		67,2	65,7	64,1	57,4	42,3	29,6	
160		51,8	50,6	49,0	47,4	39,1	27,6	19,4
200			33,4	36,3	34,8	33,1	24,8	17,0
235				28,9	27,5	26,0	22,7	15,5
275					20,9	19,9	18,1	13,2
310						14,6	14,4	5,3
325							12,9	2,5
350							8,5	

## Main boom 194 ft

Radius (ft)	Jib length in (ft)						
	66 lbs	135 lbs	174 lbs	213 lbs	253 lbs	292 lbs	331 lbs
53,3	186,2						
75	134,3	123,8					
85	115,1	112,5	100,6				
95	100,3	98,1	96,2				
100		92,1	90,5	78,5			
110		82,0	80,4	75,9	58,6		
120		73,7	72,1	70,5	57,8	42,2	
135		63,8	62,3	60,7	55,6	41,4	29,3
160		51,5	50,2	48,7	47,1	38,7	27,5
200			37,4	36,1	34,5	32,4	24,8
235				28,6	27,2	25,7	22,7
275					21,1	19,7	17,6
315						14,0	13,7
340							10,3
360							

## Main boom 213 ft

Radius (ft)	Jib length in (ft)		
	66 lbs	135 lbs	174 lbs
55,7	170,9		
80	122,7	114,5	
90	106,2	102,7	93,0
95	99,3	96,8	91,1
100		90,9	87,0
110		80,9	79,3
120		72,7	71,1
130		65,9	64,4
140		60,1	58,6
150		55,2	53,7
160		50,8	49,5
165		48,8	47,6
180			42,5
190			39,5
200			36,9

## Main boom 223 ft

Radius (ft)	Jib length in (ft)
	125 lbs
74,2	116,7
75	116,5
80	113,9
90	101,6
100	90,9
110	80,9
115	76,6
120	72,8
125	69,2
130	66,0
135	63,0
140	60,2
145	57,6
150	55,2
155	53,0

Capacities in 1000 lbs with luffing jib (No. 2316.xx) 273,400 lbs counterweight + 125,700 lbs carbody counterweight. Above lift chart is for reference only. For actual lift duty and complete chart with all available configurations please refer to lift chart in operator's cab or manual.

# Lift chart - luffing jib (No. 2316.xx)

TLT 10539958 - M107135 Offiziell

Main boom angle 75°

## Main boom 66 ft

Radius (ft)	Jib length in (ft)							
	66 lbs	135 lbs	174 lbs	213 lbs	253 lbs	292 lbs	331 lbs	361 lbs
60	181,2							
85	117,3	115,1						
105		85,0	84,2					
120		68,8	68,1	65,1				
135		58,9	55,7	55,7	50,2			
155		47,1	45,7	43,8	42,7	38,6		
170			40,0	37,8	36,3	34,5	28,3	
180			36,7	34,6	32,4	32,7	27,6	20,6
195			33,0	31,0	30,0	28,3	25,0	20,1
200				30,7	28,8	26,8	24,3	19,7
230				24,1	22,4	20,1	17,9	15,8
270					16,2	14,2	11,9	10,0
305						10,6	8,3	6,2
345							5,4	3,6
370								2,2

## Main boom 105 ft

Radius (ft)	Jib length in (ft)							
	66 lbs	135 lbs	174 lbs	213 lbs	253 lbs	292 lbs	331 lbs	371 lbs
70	144,8							
95		99,4	96,8					
100	93,3	90,9						
115		76,6	75,0					
130		65,9	64,3	62,7				
145		57,6	56,1	54,4	52,8			
165		48,9	47,6	46,0	44,3	41,5		
180			42,5	40,9	39,3	37,6	27,7	
195			38,2	36,7	35,1	33,5	26,9	18,3
205			33,4	34,2	32,7	31,1	26,1	18,1
240				27,3	25,8	24,3	22,6	16,4
280					20,0	18,6	17,0	14,5
315						14,8	13,3	5,2
330							11,9	2,1
355								9,1

## Main boom 134 ft

Radius (ft)	Jib length in (ft)							
	66 lbs	135 lbs	174 lbs	213 lbs	253 lbs	292 lbs	331 lbs	371 lbs
75	129,1							
105	85,5	82,8						
120		70,3	68,5					
140		58,1	56,4	54,7				
155		51,1	49,6	47,9	46,1			
170		45,4	44,0	42,3	40,6	38,9		
175		33,4	42,4	40,7	39,0	37,3		
190			38,0	36,4	34,7	33,1	27,0	
205			34,2	32,8	31,2	29,5	26,3	17,5
210			33,1	31,7	30,1	28,4	25,9	17,5
250				24,4	23,0	21,3	19,6	15,7
285					18,3	16,8	15,2	12,7
325						12,8	11,3	4,7
335							10,5	2,6
365								8,2

## Main boom 184 ft

Radius (ft)	Jib length in (ft)							
	66 lbs	135 lbs	174 lbs	213 lbs	253 lbs	292 lbs	331 lbs	371 lbs
90	97,0							
115		72,0	66,4					
120	68,2	65,3						
135		56,4	54,5					
150		49,4	47,6	45,7				
165		43,8	42,1	40,2	37,9			
185		37,6	36,1	34,4	32,5	29,3		
200			32,5	30,9	29,1	26,1	22,9	
215			29,4	27,8	26,0	23,3	20,2	16,5
225			27,5	26,0	24,3	21,7	18,7	15,6
260				20,7	19,1	17,0	14,1	11,2
300					14,6	13,1	10,3	7,6
340						9,7	7,4	3,0
345							7,0	2,3
375								4,6

## Main boom 194 ft

Radius (ft)	Jib length in (ft)						
	66 lbs	135 lbs	174 lbs	213 lbs	253 lbs	292 lbs	331 lbs
90	95,6						
120	67,3	64,1					
135		55,4	53,5				
155		46,6	44,8	42,9			
170		41,4	39,6	37,8	35,1		
185		37,0	35,4	33,6	31,3	27,9	
190		33,4	34,1	32,4	30,2	26,9	
205			30,8	29,1	27,1	24,0	20,8
220			27,8	26,2	24,5	21,4	18,4
225			26,9	25,4	23,6	20,7	17,6
265				19,5	17,9	15,6	12,7
300					14,2	12,4	9,6
340						9,0	6,8
380							3,7
390							

## Main boom 213 ft

Radius (ft)	Jib length in (ft)		
	66 lbs	135 lbs	174 lbs
95	86,7		
125	62,0	58,7	
140		51,0	49,0
150		46,7	44,8
160		43,0	41,2
170		39,8	38,0
180		36,9	35,2
190		34,3	32,7
195		33,1	31,6
200			30,5
210			28,5
215			27,5
220			26,6
225			25,7
230			24,9

## Main boom 223 ft

Radius (ft)	Jib length in (ft)
	125 lbs
120,9	60,6
125	58,2
130	55,4
135	52,9
140	50,5
145	48,4
150	46,3
155	44,5
160	42,7
165	41,0
170	39,5
175	38,0
180	36,6
185	35,3

Capacities in 1000 lbs with luffing jib (No. 2316.xx) 273,400 lbs counterweight + 125,700 lbs carbody counterweight. Above lift chart is for reference only. For actual lift duty and complete chart with all available configurations please refer to lift chart in operator's cab or manual.

# Lift chart - luffing jib (No. 2316.xx)

TLT 10539958 - M107135 Offiziell

Main boom angle 65°

## Main boom 66 ft

Radius (ft)	Jib length in (ft)							
	66 lbs	135 lbs	174 lbs	213 lbs	253 lbs	292 lbs	331 lbs	361 lbs
80	122,3							
100	93,0							
120		70,6						
140		53,6	52,9					
165		40,6	39,0	38,4				
185			32,6	32,4	29,9			
205			28,2	26,2	24,6			
210				24,9	23,4	21,3		
230				21,3	18,9	17,0	14,3	
240				19,5	17,1	15,3	13,5	
245					16,3	14,4	12,7	9,4
280					12,3	9,8	7,8	6,1
320						6,7	4,4	2,4
325							4,1	2,1
355							2,4	

## Main boom 105 ft

Radius (ft)	Jib length in (ft)								
	66 lbs	135 lbs	174 lbs	213 lbs	253 lbs	292 lbs	331 lbs	371 lbs	
95	93,7								
115	74,2								
135		58,4							
155		49,2	47,4						
180		40,5	39,0	37,3					
185		33,4	37,6	35,9					
200			33,8	32,2	30,4				
220			29,6	28,1	26,4				
225				27,2	25,5	23,8			
245				23,9	22,3	20,6	18,8		
260				21,7	20,2	18,5	16,8		
295					16,1	14,5	12,8	10,5	
335						10,9	9,3	5,9	
350							8,2	2,4	
375							6,2		

## Main boom 134 ft

Radius (ft)	Jib length in (ft)							
	66 lbs	135 lbs	174 lbs	213 lbs	253 lbs	292 lbs	331 lbs	371 lbs
110	74,3							
125	63,5							
145		50,0						
170		40,8	39,0					
190		35,2	33,6	31,7				
195		34,0	32,5	30,6				
215			28,3	26,6	24,8			
235			24,8	23,2	21,5	19,6		
260				19,7	18,1	16,3	13,8	
270				18,5	16,9	15,1	12,7	
280					15,8	14,1	11,7	8,8
310					12,8	11,2	9,1	6,4
345						8,5	6,3	3,8
360							5,1	2,0
385							3,3	

## Main boom 184 ft

Radius (ft)	Jib length in (ft)							
	66 lbs	135 lbs	174 lbs	213 lbs	253 lbs	292 lbs	331 lbs	
125,6	55,8							
150	44,6							
170		34,9						
190		30,1	28,2					
215		25,3	23,5	21,6				
235			20,6	18,7	16,2			
255			18,0	16,3	14,0			
260				15,7	13,5	10,5		
280				13,7	11,7	8,8	5,8	
290				12,8	10,9	8,0	5,1	
300					10,0	7,3	4,5	
320					8,2	5,7	3,1	
330					7,4	5,0	2,4	
335						4,6	2,0	
370						2,2		

## Main boom 194 ft

Radius (ft)	Jib length in (ft)						
	66 lbs	135 lbs	174 lbs	213 lbs	253 lbs	292 lbs	331 lbs
129,8	52,0						
155	33,4						
170		33,6					
195		27,9	26,0				
215		24,3	22,5	20,4			
220		23,5	21,7	19,8			
260			16,5	14,8	12,2	9,1	
285				12,4	10,2	7,2	4,2
290				12,0	9,8	6,9	3,9
295				11,5	9,3	6,5	3,6
300					8,9	6,2	3,3
310					8,0	5,4	2,7
315					7,6	5,0	2,4
335					6,0	3,5	
355						2,2	

## Main boom 213 ft

Radius (ft)	Jib length in (ft)		
	66 lbs	135 lbs	174 lbs
138,1	45,0		
160	37,3		
178		29,0	
205		23,8	21,8
210		23,0	21,1
220		21,5	19,6
225		20,7	18,9
230		20,0	18,3
235			17,6
240			17,0
245			16,4
250			15,9
255			15,3
260			14,8
265			14,3

## Main boom 223 ft

Radius (ft)	Jib length in (ft)
	125 lbs
176,1	28,7
180	27,9
185	26,9
190	25,9
195	25,0
200	24,1
205	23,3
210	22,5
215	21,7
220	21,0
225	20,2

Capacities in 1000 lbs with luffing jib (No. 2316.xx) 273,400 lbs counterweight + 125,700 lbs carbody counterweight. Above lift chart is for reference only. For actual lift duty and complete chart with all available configurations please refer to lift chart in operator's cab or manual.



# Lift chart - luffing jib (No. 2316.xx)

TLT 10539958 - M107135 Offiziell

Main boom angle 45°

## Main boom 66 ft

Radius (ft)	Jib length in (ft)						
	66 lbs	135 lbs	174 lbs	213 lbs	253 lbs	292 lbs	331 lbs
115	73,8						
170		43,3					
185		38,8					
225			27,8				
235				24,1			
260				18,8			
265					15,7		
300					11,4	9,2	
330						6,5	3,7
335						6,1	3,6
360							2,1

## Main boom 105 ft

Radius (ft)	Jib length in (ft)						
	66 lbs	135 lbs	174 lbs	213 lbs	253 lbs	292 lbs	331 lbs
137,5	53,1						
145	49,7						
194		31,5					
215		27,3					
227			23,6				
250			20,4				
260				17,4			
290				14,3			
295					12,2		
325					9,7	7,9	
360						5,2	2,7
365						4,8	2,4
370							2,1

## Main boom 134 ft

Radius (ft)	Jib length in (ft)					
	66 lbs	135 lbs	174 lbs	213 lbs	253 lbs	292 lbs
158,4	39,7					
165	37,7					
215		23,4				
235		20,5				
249			17,1			
270			14,8			
280				12,0		
310				9,7		
315					7,1	
345					4,9	2,2

## Main boom 184 ft

Radius (ft)	Jib length in (ft)		
	66 lbs	135 lbs	174 lbs
193,2	22,7		
195	22,4		
200	21,6		
250		12,0	
260		11,2	
270		10,3	
285			6,4
295			5,6
300			5,3
305			4,9

## Main boom 194 ft

Radius (ft)	Jib length in (ft)		
	66 lbs	135 lbs	174 lbs
200,2	19,9		
210	18,5		
260		9,3	
270		8,5	
290			4,1
305			3,2
315			2,6

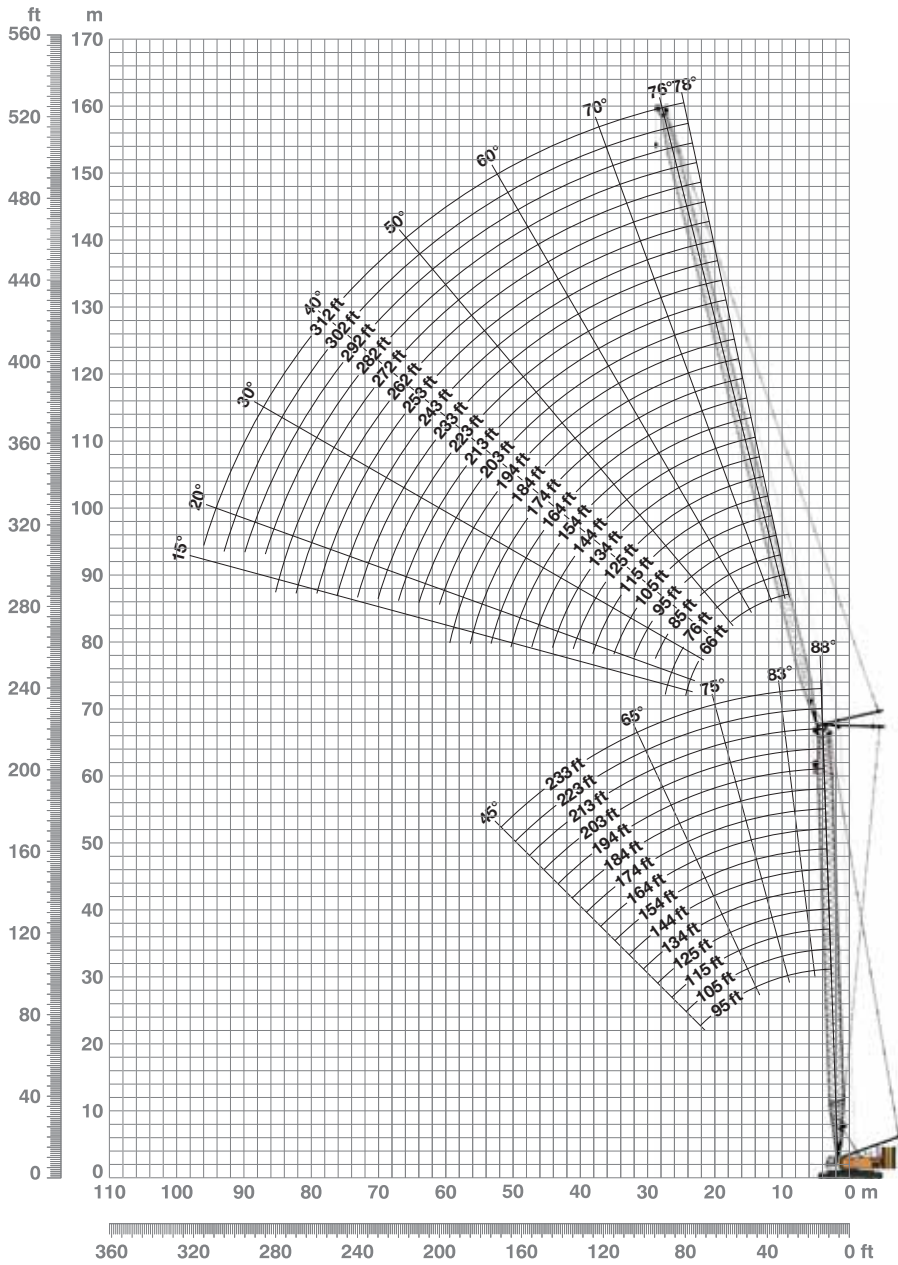
## Main boom 213 ft

Radius (ft)	Jib length in (ft)	
	66 lbs	135 lbs
214,1	14,7	
220	14,1	
225	13,5	
275		4,2
280		3,9
285		3,6
290		3,2

Capacities in 1000 lbs with luffing jib (No. 2316.xx) 273,400 lbs counterweight + 125,700 lbs carbody counterweight. Above lift chart is for reference only. For actual lift duty and complete chart with all available configurations please refer to lift chart in operator's cab or manual.

# Luffing jib 78° - 15° (No. 1916.xx)

Main boom 88° - 45°



**Boom configuration for main boom lengths (95 ft – 243 ft)** – see table 1 on page 12

**Jib configuration for jib lengths (66 ft – 312 ft)**

	Length*	Amount of luffing jib extensions																									
		66	76	85	95	105	115	125	134	144	154	164	174	184	194	203	213	223	233	243	253	262	272	282	292	302	312
Luffing jib foot	23 ft	1	1	1	1	1	1	1	1	1	1	1	1	1	1	1	1	1	1	1	1	1	1	1	1	1	1
Luffing jib insert	10 ft		1		1	1	1	1	1	1	1	1	1	1	1	1	1	1	1	1	1	1	1	1	1	1	1
Luffing jib insert	20 ft	1	1		1	1			1	1			1	1			1	1			1	1			1	1	1
Luffing jib insert	40 ft			1	1	1	1	2	2	2	2	3	3	3	3	4	4	4	4	5	5	5	5	6	6	6	6
Luffing jib head	23 ft	1	1	1	1	1	1	1	1	1	1	1	1	1	1	1	1	1	1	1	1	1	1	1	1	1	1
Luffing jib length (ft)		66	76	85	95	105	115	125	134	144	154	164	174	184	194	203	213	223	233	243	253	262	272	282	292	302	312

\*Actual lengths of boom sections are metric (e.g. 3 m, 6 m, 7 m, 12 m). The figures shown above are approximate conversions to feet.

# Lift chart - luffing jib (No. 1916.xx)

Main boom 88°

## Main boom 95 ft

Radius (ft)	Jib length in (ft)							
	66 lbs	95 lbs	115 lbs	154 lbs	194 lbs	233 lbs	272 lbs	312 lbs
37,6			132,3					
45		142,0	124,5					
50		133,3	117,4	87,9				
55	150,3	125,2	112,1	84,4	61,0			
65	114,8	110,9	100,5	78,4	58,3	42,5		
75	79,7	98,6	89,5	72,9	55,5	40,6	28,7	
80		90,2	84,3	70,4	54,5	39,8	27,9	18,9
100		61,7	66,4	59,9	50,3	36,8	25,3	17,3
105		33,4	62,6	57,5	49,6	36,0	24,7	16,8
120			47,6	50,1	46,7	34,2	23,2	15,6
160				31,1	35,8	30,0	20,0	13,1
200					22,5	24,7	17,8	11,1
235						16,6	16,4	9,5
275							10,4	7,9
310								5,8

## Main boom 134 ft

Radius (ft)	Jib length in (ft)							
	66 lbs	95 lbs	115 lbs	154 lbs	194 lbs	233 lbs	272 lbs	312 lbs
28,7	195,4							
35	190,6	154,4						
40	182,6	149,3	126,1					
50	162,7	133,8	115,4	85,3				
60	137,0	119,3	105,0	79,9	58,3			
65	120,9	112,0	99,9	77,1	56,9	41,1		
75	88,2	100,8	90,2	72,2	54,3	39,7	28,0	
85		85,9	80,8	67,8	52,2	38,1	26,7	17,9
105		57,4	64,4	58,1	48,4	35,4	24,3	16,1
125			33,4	48,7	45,3	33,1	22,3	14,7
160				32,7	36,6	29,6	19,7	12,6
200					24,0	25,3	17,5	10,7
235						17,5	16,2	9,2
275							11,1	7,7
315								5,4

## Main boom 174 ft

Radius (ft)	Jib length in (ft)							
	66 lbs	95 lbs	115 lbs	154 lbs	194 lbs	233 lbs	272 lbs	312 lbs
30,1	194,1							
40	178,6	142,4						
45	169,3	137,3	116,5					
50	160,7	131,7	112,1	81,3				
60	141,4	118,8	103,3	77,8	54,8			
70	113,2	106,1	95,2	72,9	52,4	38,7		
75	94,7	100,9	90,5	70,8	51,2	37,9	27,0	
85		87,8	81,2	66,5	49,4	36,4	26,0	17,4
105		60,6	65,7	58,1	45,7	33,9	23,8	15,8
125			47,2	49,5	43,0	31,8	22,0	14,4
165				30,9	35,2	28,3	19,1	12,1
200					24,7	25,5	17,4	10,5
240						16,7	15,9	8,9
275							11,5	7,7
315								6,3

## Main boom 194 ft

Radius (ft)	Jib length in (ft)							
	66 lbs	95 lbs	115 lbs	154 lbs	194 lbs	233 lbs	272 lbs	312 lbs
30,8	183,0							
40	167,9	137,7						
45	159,3	133,6	113,6					
50	152,6	128,7	109,7	78,8				
60	138,9	117,2	101,3	75,9	54,1			
70	114,4	105,7	93,8	71,6	51,9	36,6		
75	97,7	100,6	89,9	69,7	50,7	35,9	25,7	
85		88,5	80,8	65,5	48,7	34,8	25,0	17,5
105		61,9	66,0	57,8	45,4	32,6	23,1	16,1
125			48,1	49,8	42,5	30,6	21,3	14,6
165				30,6	35,1	27,3	18,6	12,3
200					24,8	24,7	16,9	10,7
240						17,1	15,5	9,1
275							11,7	7,9
315								6,5

## Main boom 213 ft

Radius (ft)	Jib length in (ft)							
	66 lbs	95 lbs	115 lbs	154 lbs	194 lbs	233 lbs	272 lbs	312 lbs
31,5	169,1							
40	159,3	130,8						
45	151,1	128,6	108,4					
50	144,9	124,1	105,8	75,9				
60	133,4	114,3	98,8	73,7	52,6			
70	114,9	104,2	91,5	69,6	50,8	35,9		
75	100,5	99,4	88,4	68,0	49,8	35,4	25,9	
85		88,8	80,4	64,2	47,8	34,4	25,3	16,2
105		63,4	66,2	57,3	44,6	32,5	23,1	15,4
125			49,1	49,9	41,1	30,3	21,4	14,0
165				32,4	34,4	26,8	18,7	11,9
200					24,4	23,9	17,0	10,3
240						17,2	15,6	8,7
280							11,2	7,4
315								6,2

## Main boom 233 ft

Radius (ft)	Jib length in (ft)				
	105 lbs	115 lbs	125 lbs	135 lbs	144 lbs
40,3	114,4				
45	113,8	104,3	96,1		
50	111,1	102,2	95,0	86,7	80,8
60	104,5	96,9	89,6	81,6	76,8
70	97,4	89,7	83,7	76,7	72,4
80	88,4	82,8	78,6	71,6	67,3
85	85,1	79,3	74,9	69,5	65,2
95	76,7	73,2	69,0	63,3	60,1
100	72,9	69,5	66,6	60,8	57,3
110	63,4	63,2	60,4	56,1	52,9
115	56,8	59,8	57,8	53,5	50,6
125		49,8	52,1	48,9	46,1
135			44,4	44,5	42,3
145				39,5	39,0
155					35,7

Capacities in 1000 lbs with luffing jib (No. 1916.xx), 273,400 lbs counterweight + 125,700 lbs carbody counterweight. Above lift chart is for reference only. For actual lift duty and complete chart with all available configurations please refer to lift chart in operator's cab or manual.

# Lift chart - luffing jib (No. 1916.xx)

TLT 10539958 - M141906 Offiziell

Main boom 83°

## Main boom 95 ft

Radius (ft)	Jib length in (ft)							
	66 lbs	95 lbs	115 lbs	154 lbs	194 lbs	233 lbs	272 lbs	312 lbs
37,6			132,3					
45		142,0	124,5					
50		133,3	117,4	87,9				
55	150,3	125,2	112,1	84,4	61,0			
65	114,8	110,9	100,5	78,4	58,3	42,5		
75	79,7	98,6	89,5	72,9	55,5	40,6	28,7	
80		90,2	84,3	70,4	54,5	39,8	27,9	18,9
100		61,7	66,4	59,9	50,3	36,8	25,3	17,3
105		33,4	62,6	57,5	49,6	36,0	24,7	16,8
120			47,6	50,1	46,7	34,2	23,2	15,6
160				31,1	35,8	30,0	20,0	13,1
200					22,5	24,7	17,8	11,1
235						16,6	16,4	9,5
275							10,4	7,9
310								5,8

## Main boom 134 ft

Radius (ft)	Jib length in (ft)							
	66 lbs	95 lbs	115 lbs	154 lbs	194 lbs	233 lbs	272 lbs	312 lbs
28,7	195,4							
35	190,6	154,4						
40	182,6	149,3	126,1					
50	162,7	133,8	115,4	85,3				
60	137,0	119,3	105,0	79,9	58,3			
65	120,9	112,0	99,9	77,1	56,9	41,1		
75	88,2	100,8	90,2	72,2	54,3	39,7	28,0	
85		85,9	80,8	67,8	52,2	38,1	26,7	17,9
105		57,4	64,4	58,1	48,4	35,4	24,3	16,1
125			33,4	48,7	45,3	33,1	22,3	14,7
160				32,7	36,6	29,6	19,7	12,6
200					24,0	25,3	17,5	10,7
235						17,5	16,2	9,2
275							11,1	7,7
315								5,4

## Main boom 174 ft

Radius (ft)	Jib length in (ft)							
	66 lbs	95 lbs	115 lbs	154 lbs	194 lbs	233 lbs	272 lbs	312 lbs
30,1	194,1							
40	178,6	142,4						
45	169,3	137,3	116,5					
50	160,7	131,7	112,1	81,3				
60	141,4	118,8	103,3	77,8	54,8			
70	113,2	106,1	95,2	72,9	52,4	38,7		
75	94,7	100,9	90,5	70,8	51,2	37,9	27,0	
85		87,8	81,2	66,5	49,4	36,4	26,0	17,4
105		60,6	65,7	58,1	45,7	33,9	23,8	15,8
125			47,2	49,5	43,0	31,8	22,0	14,4
165				30,9	35,2	28,3	19,1	12,1
200					24,7	25,5	17,4	10,5
240						16,7	15,9	8,9
275							11,5	7,7
315								6,3

## Main boom 194 ft

Radius (ft)	Jib length in (ft)							
	66 lbs	95 lbs	115 lbs	154 lbs	194 lbs	233 lbs	272 lbs	312 lbs
30,8	183,0							
40	167,9	137,7						
45	159,3	133,6	113,6					
50	152,6	128,7	109,7	78,8				
60	138,9	117,2	101,3	75,9	54,1			
70	114,4	105,7	93,8	71,6	51,9	36,6		
75	97,7	100,6	89,9	69,7	50,7	35,9	25,7	
85		88,5	80,8	65,5	48,7	34,8	25,0	17,5
105		61,9	66,0	57,8	45,4	32,6	23,1	16,1
125			48,1	49,8	42,5	30,6	21,3	14,6
165				30,6	35,1	27,3	18,6	12,3
200					24,8	24,7	16,9	10,7
240						17,1	15,5	9,1
275							11,7	7,9
315								6,5

## Main boom 213 ft

Radius (ft)	Jib length in (ft)							
	66 lbs	95 lbs	115 lbs	154 lbs	194 lbs	233 lbs	272 lbs	312 lbs
31,5	169,1							
40	159,3	130,8						
45	151,1	128,6	108,4					
50	144,9	124,1	105,8	75,9				
60	133,4	114,3	98,8	73,7	52,6			
70	114,9	104,2	91,5	69,6	50,8	35,9		
75	100,5	99,4	88,4	68,0	49,8	35,4	25,9	
85		88,8	80,4	64,2	47,8	34,4	25,3	16,2
105		63,4	66,2	57,3	44,6	32,5	23,1	15,4
125			49,1	49,9	41,1	30,3	21,4	14,0
165				32,4	34,4	26,8	18,7	11,9
200					24,4	23,9	17,0	10,3
240						17,2	15,6	8,7
280							11,2	7,4
315								6,2

## Main boom 233 ft

Radius (ft)	Jib length in (ft)							
	105 lbs	115 lbs	125 lbs	135 lbs	144 lbs			
40,3	114,4							
45	113,8	104,3	96,1					
50	111,1	102,2	95,0	86,7	80,8			
60	104,5	96,9	89,6	81,6	76,8			
70	97,4	89,7	83,7	76,7	72,4			
80	88,4	82,8	78,6	71,6	67,3			
85	85,1	79,3	74,9	69,5	65,2			
95	76,7	73,2	69,0	63,3	60,1			
100	72,9	69,5	66,6	60,8	57,3			
110	63,4	63,2	60,4	56,1	52,9			
115	56,8	59,8	57,8	53,5	50,6			
125		49,8	52,1	48,9	46,1			
135			44,4	44,5	42,3			
145				39,5	39,0			
155					35,7			

Capacities in 1000 lbs with luffing jib (No. 1916.xx), 273,400 lbs counterweight + 125,700 lbs carbody counterweight. Above lift chart is for reference only. For actual lift duty and complete chart with all available configurations please refer to lift chart in operator's cab or manual.

# Lift chart - luffing jib (No. 1916.xx)

TLT 10539958 - M141906 Offiziell

Main boom 75°

## Main boom 95 ft

Radius (ft)	Jib length in (ft)							
	66 lbs	95 lbs	115 lbs	154 lbs	194 lbs	233 lbs	272 lbs	312 lbs
63	167,5							
80	124,7	123,2						
85	115,9	115,2	103,6					
95	97,0	100,8	94,0					
105		88,7	83,7	69,7				
120		70,1	70,4	62,2	50,3			
125		62,5	66,5	59,4	49,4			
145			49,3	49,6	46,0	33,4		
155				45,1	44,6	32,4	21,8	
170				39,1	40,4	30,8	20,6	13,5
180				34,8	37,4	30,0	20,0	13,0
220					26,0	26,1	17,8	11,1
260						18,1	16,0	9,5
295							12,6	8,2
335								5,8

## Main boom 134 ft

Radius (ft)	Jib length in (ft)							
	66 lbs	95 lbs	115 lbs	154 lbs	194 lbs	233 lbs	272 lbs	312 lbs
75	130,3							
90	104,5	103,6						
95	97,9	97,1	96,5					
105	86,7	86,2	85,6					
115		77,3	76,7	68,5				
130		66,7	66,3	61,8	48,8			
135		63,7	63,4	59,2	48,3			
145			58,1	55,4	46,8	33,2		
155			50,6	49,9	45,4	32,5		
180				39,6	40,3	30,3	20,1	13,1
190				35,6	37,4	29,5	19,5	12,6
230					26,7	26,1	17,5	10,8
270						18,7	15,9	9,3
305							13,0	8,2
345								5,9

## Main boom 174 ft

Radius (ft)	Jib length in (ft)							
	66 lbs	95 lbs	115 lbs	154 lbs	194 lbs	233 lbs	272 lbs	312 lbs
85	106,9							
100	88,0	87,0						
105	83,0	82,1	81,4					
115	74,3	73,7	73,0					
125		66,7	66,1	64,8				
140		58,2	57,7	56,5	47,3			
145		55,7	55,3	54,2	46,9			
155			51,0	49,9	45,6	32,1		
165			47,2	46,2	44,4	31,5		
190				38,8	37,7	29,5	19,6	12,6
200				35,9	35,3	28,8	19,1	12,3
240					27,0	25,8	17,1	10,6
280						18,9	15,7	9,2
315							13,1	8,1
355								6,2

## Main boom 194 ft

Radius (ft)	Jib length in (ft)							
	66 lbs	95 lbs	115 lbs	154 lbs	194 lbs	233 lbs	272 lbs	312 lbs
90	97,1							
105	80,7	79,8						
110	76,3	75,5	74,7					
120	68,7	68,0	67,3					
130		61,8	61,2	59,9				
145		54,2	53,6	52,4	46,3			
150		51,9	51,5	50,3	46,1			
160			47,6	46,5	44,9	31,3		
180				40,2	39,0	30,2	19,9	
195				36,3	35,2	29,1	19,1	12,4
205				34,0	33,0	28,4	18,6	12,1
245					26,0	24,8	16,8	10,5
285						19,0	15,5	9,1
320							13,2	8,0
360								6,2

## Main boom 213 ft

Radius (ft)	Jib length in (ft)							
	66 lbs	95 lbs	115 lbs	154 lbs	194 lbs	233 lbs	272 lbs	312 lbs
95	88,3							
110	74,1	73,1						
115	70,3	69,3	68,6					
125	63,5	62,7	62,0					
135		57,2	56,6	55,2				
150		50,3	49,8	48,6	45,1			
155		48,3	47,9	46,7	45,0			
165			44,3	43,2	41,9	30,5		
185				37,4	36,2	29,5	19,6	
200				33,9	32,8	28,5	18,9	12,1
210				31,8	30,7	27,8	18,4	11,9
250					24,2	23,1	16,7	10,3
290						18,5	15,4	9,0
325							13,2	8,0
365								6,2

## Main boom 233 ft

Radius (ft)	Jib length in (ft)				
	105 lbs	115 lbs	125 lbs	135 lbs	144 lbs
115,2	66,4				
120	63,3	62,8			
125	60,3	59,8	59,6		
130	57,5	57,0	56,9	56,4	
135	55,0	54,5	54,4	53,9	53,6
140	52,6	52,1	52,0	51,5	51,3
145	50,4	50,0	49,8	49,4	49,1
150	48,4	48,0	47,8	47,4	47,1
155	46,5	46,1	46,0	45,5	45,3
160	44,7	44,3	44,2	43,8	43,5
170	41,4	41,1	41,0	40,6	40,4
180		38,2	38,2	37,8	37,6
190			35,6	35,3	35,1
200				33,1	32,9
210					30,8

Capacities in 1000 lbs with luffing jib (No. 1916.xx), 273,400 lbs counterweight + 125,700 lbs carbody counterweight. Above lift chart is for reference only. For actual lift duty and complete chart with all available configurations please refer to lift chart in operator's cab or manual.

# Lift chart - luffing jib (No. 1916.xx)

TLT 10539958 - M141906 Offiziell

Main boom 65°

## Main boom 95 ft

Radius (ft)	Jib length in (ft)							
	66 lbs	95 lbs	115 lbs	154 lbs	194 lbs	233 lbs	272 lbs	312 lbs
90	103,1							
110	81,0	80,4						
120		72,4	71,9					
140		60,2	59,8	58,6				
160			50,8	49,9				
165				47,9	44,8			
185				40,3	40,6	30,1		
195				36,7	37,9	29,5		
210					33,9	28,5	18,5	
230					29,3	26,5	17,6	11,0
235					28,2	26,1	17,4	11,0
240						25,7	17,2	10,7
275						20,1	16,1	9,4
310							14,0	8,2
350								6,5

## Main boom 134 ft

Radius (ft)	Jib length in (ft)							
	66 lbs	95 lbs	115 lbs	154 lbs	194 lbs	233 lbs	272 lbs	312 lbs
110	75,9							
125	65,1	64,3						
130	33,4	61,3						
135		58,6	57,9					
155		49,6	49,0					
160			47,2	46,0				
175				41,2				
180				39,7	38,5			
205				33,7	32,6	29,1		
215				31,7	30,6	28,4		
225					28,8	27,6	17,9	
250					24,9	23,8	17,0	10,6
290						19,1	15,8	9,2
330							14,2	8,1
365								7,1

## Main boom 174 ft

Radius (ft)	Jib length in (ft)							
	66 lbs	95 lbs	115 lbs	154 lbs	194 lbs	243 lbs	272 lbs	312 lbs
121,4	61,7							
140	51,9	51,0						
145	49,7	48,9						
150		46,9	46,2					
175		38,7	38,2	36,9				
195			33,3	32,2	30,8			
225				26,7	25,5	24,0		
230				25,9	24,7	23,3		
240					23,3	21,9	17,3	
265					20,2	18,8	16,6	10,1
270					19,6	18,3	16,4	10,1
280						17,3	16,1	9,8
315						14,2	13,2	8,7
345							11,1	8,0
385								6,4

## Main boom 194 ft

Radius (ft)	Jib length in (ft)							
	66 lbs	95 lbs	115 lbs	154 lbs	194 lbs	233 lbs	272 lbs	312 lbs
129,8	53,9							
150	45,2	44,2						
155	33,4	42,5						
160		40,9	40,1					
180		35,2	34,6					
185			33,5	32,2				
200				29,1				
205				30,3				
230				28,2	26,8			
240				24,1	22,9	21,6		
240				22,7	21,6	20,2		
250					20,3	19,0	17,0	
275					17,6	16,4	15,1	10,0
315						13,0	11,9	8,8
355							9,3	7,8
390								5,9

## Main boom 213 ft

Radius (ft)	Jib length in (ft)							
	66 lbs	95 lbs	115 lbs	154 lbs	194 lbs	233 lbs	272 lbs	312 lbs
138,1	47,0							
155	40,8	39,7						
160	39,2	38,2						
170		35,4	34,7					
190		30,8	30,2	28,8				
210			26,4	25,2				
215				24,4	23,1			
235				21,6	20,3	18,9		
245				20,3	19,1	17,8		
260					17,5	16,2	14,4	
280					15,6	14,3	12,7	9,7
285					15,1	13,9	12,3	9,7
325						10,9	9,8	7,7
360							7,5	5,8
400								3,6

## Main boom 233 ft

Radius (ft)	Jib length in (ft)				
	105 lbs	115 lbs	125 lbs	135 lbs	144 lbs
169	32,7				
175	31,3	30,8			
180	30,2	29,7			
185	29,2	28,7	28,6		
190	28,2	27,7	27,6	27,1	
195	27,3	26,8	26,7	26,2	25,9
200	26,4	25,9	25,8	25,3	25,0
205	25,5	25,1	25,0	24,5	24,2
210	24,6	24,3	24,2	23,7	23,4
215		23,5	23,4	23,0	22,7
220		22,7	22,7	22,2	22,0
225			22,0	21,6	21,3
230				20,9	20,7
235				20,3	20,0
245					18,9

Capacities in 1000 lbs with luffing jib (No. 1916.xx), 273,400 lbs counterweight + 125,700 lbs carbody counterweight. Above lift chart is for reference only. For actual lift duty and complete chart with all available configurations please refer to lift chart in operator's cab or manual.

# Lift chart - luffing jib (No. 1916.xx)

TLT 10539958 - M141906 Offiziell

Main boom 45°

## Main boom 95 ft

Radius (ft)	Jib length in (ft)							
	66 lbs	95 lbs	115 lbs	154 lbs	194 lbs	233 lbs	272 lbs	312 lbs
130,6	60,2							
140	55,3							
155		48,2						
170		33,4						
175			41,0					
185			38,2					
205				32,6				
225				28,8				
240					25,4			
265					22,0			
270						20,3		
300						17,3	15,3	
335							13,3	7,9
340							12,9	7,8
375								7,2

## Main boom 134 ft

Radius (ft)	Jib length in (ft)							
	66 lbs	95 lbs	115 lbs	154 lbs	194 lbs	233 lbs	272 lbs	312 lbs
158,4	41,6							
165	39,6							
185		33,5						
195		31,3						
200			29,7					
215			27,0					
231				23,3				
250				20,9				
265					18,0			
290					15,6			
300						13,6		
330						11,4	10,2	
360							8,5	7,2
365							8,2	7,0
405								4,8

## Main boom 174 ft

Radius (ft)	Jib length in (ft)						
	66 lbs	95 lbs	115 lbs	154 lbs	194 lbs	233 lbs	272 lbs
186,3	27,9						
195	26,2						
215		22,1					
225		20,7					
230			19,5				
240			18,3				
260				15,0			
280				13,3			
295					11,0		
320					9,4		
325						7,6	
355						5,9	
360							3,9
375							3,1
395							2,2

## Main boom 194 ft

Radius (ft)	Jib length in (ft)						
	66 lbs	95 lbs	115 lbs	154 lbs	194 lbs	233 lbs	
200,2	22,1						
210	20,6						
225		17,7					
235		16,7					
245			15,0				
255			14,1				
275				11,2			
280				10,9			
295				9,8			
305					7,5		
310					7,3		
330					6,1		
340						3,7	
350						3,2	
370						2,3	

## Main boom 213 ft

Radius (ft)	Jib length in (ft)				
	66 lbs	95 lbs	115 lbs	154 lbs	
214,1	16,9				
225	15,7				
240		13,3			
250		12,4			
255			11,3		
270			10,2		
290				7,0	
310				5,8	
320					3,3
345					2,3

## Main boom 233 ft

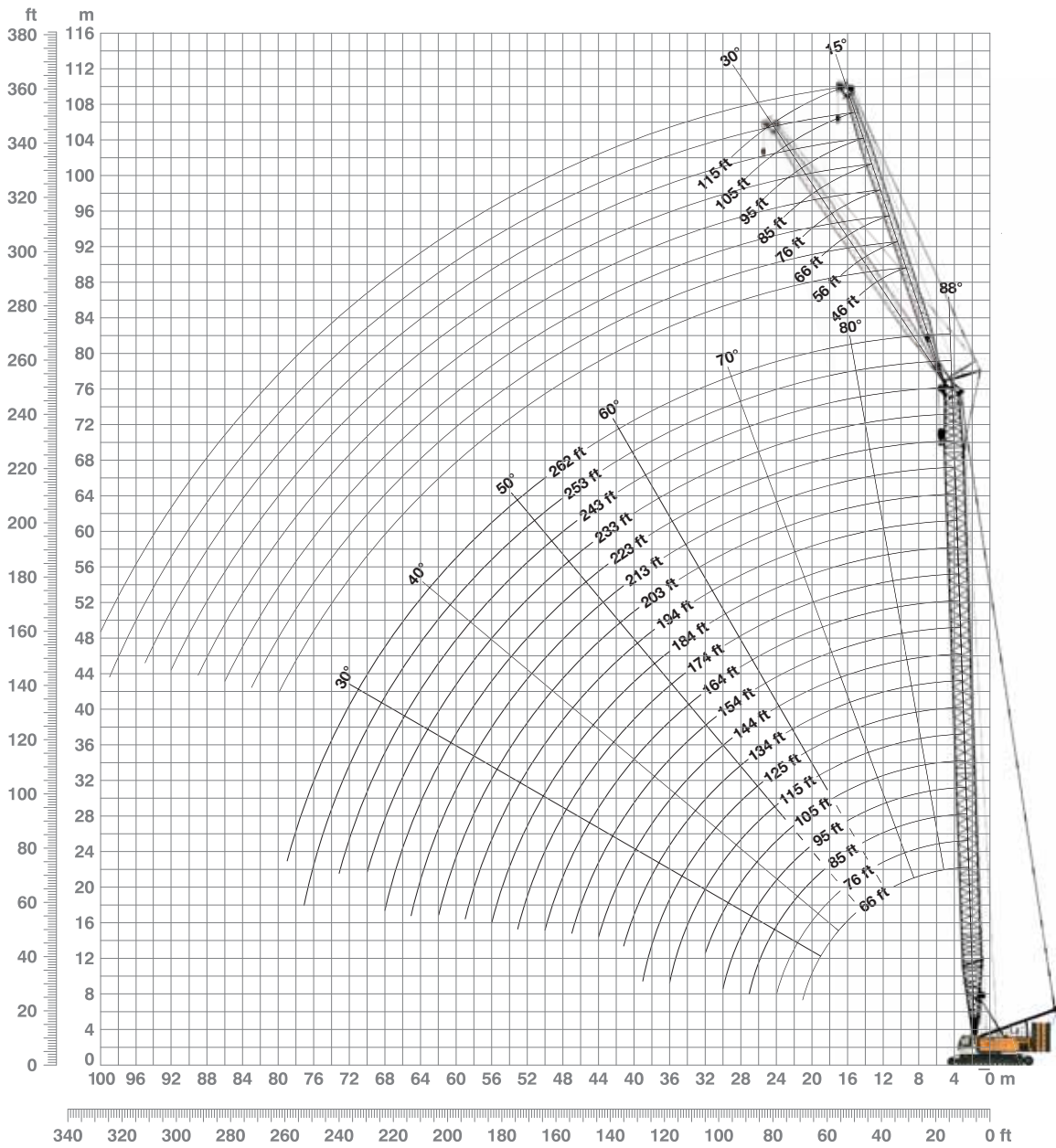
Radius (ft)	Jib length in (ft)				
	105 lbs	115 lbs	125 lbs	135 lbs	144 lbs
260,3	7,5				
270	6,9	6,2			
275	6,6	5,9			
280		5,6	5,5		
285		5,3	5,2	4,4	
290			4,9	4,2	
295			4,6	4,0	3,6
300				3,7	3,4
305				3,4	3,1
310					2,9

Capacities in 1000 lbs with luffing jib (No. 1916.xx), 273,400 lbs counterweight + 125,700 lbs carbody counterweight. Above lift chart is for reference only. For actual lift duty and complete chart with all available configurations please refer to lift chart in operator's cab or manual.



# Working range - fixed jib 15° and 30° (No. 1713.xx)

Main boom 88° – 30°



**Boom configuration for boom lengths (66 ft – 272 ft)** – see table 1 on page 12

**Fixed jib configuration for fixed jib lengths (46 ft – 115 ft)**

	Length*	Amount of fixed jib extensions							
Fixed jib foot	23 ft	1	1	1	1	1	1	1	1
Fixed jib insert	10 ft		1		1		1		1
Fixed jib insert	20 ft			1	1			1	1
Fixed jib insert	40 ft					1	1	1	1
Fixed jib head	23 ft	1	1	1	1	1	1	1	1
Fixed jib length (ft)		46	56	66	76	85	95	105	115

\*Actual lengths of boom sections are metric (e.g. 3 m, 6 m, 7 m, 12 m). The figures shown above are approximate conversions to feet.

# Lift chart - fixed jib (No. 1713.xx)

TLT 11230834 - M141906 Offiziell

Offset 15°

## Main boom 66 ft

Radius	Fixed jib length in (ft)			
	46	76	95	115
(ft)	lbs	lbs	lbs	lbs
45	102,2			
50	93,3	65,4	56,1	
55	87,6	60,7	52,2	45,3
60	81,6	57,5	48,1	41,8
70	71,1	50,0	42,3	36,6
80	63,4	44,5	37,3	33,2
90	58,0	39,9	33,7	30,0
100	53,5	36,5	30,7	27,7
110	48,9	33,4	29,2	25,0
140		28,3	23,1	19,6
155			21,1	17,7
175				15,7

## Main boom 95 ft

Radius	Fixed jib length in (ft)			
	46	76	95	115
(ft)	lbs	lbs	lbs	lbs
35	129,5			
45	112,0	74,3	62,4	
50	104,6	69,6	58,1	49,4
60	90,6	60,7	51,0	43,2
70	82,0	54,9	45,0	38,6
80	73,4	49,3	40,5	34,5
100	61,5	40,9	33,8	29,5
120	54,4	35,2	29,6	25,3
135	49,0	32,6	27,0	22,6
165		28,4	22,6	18,6
185			20,5	16,9
200				15,7

## Main boom 125 ft

Radius	Fixed jib length in (ft)			
	46	76	95	115
(ft)	lbs	lbs	lbs	lbs
30	132,3			
40	127,8	83,5		
45	120,0	78,1	64,4	
55	105,7	69,2	56,5	46,8
80	82,3	54,1	43,8	36,1
100	69,3	45,9	36,8	31,3
120	60,2	39,6	31,8	27,5
140	54,5	35,1	29,2	23,8
160	44,4	33,0	26,0	21,2
190		28,9	22,6	18,0
210			20,9	16,6
230				15,4

## Main boom 154 ft

Radius	Fixed jib length in (ft)			
	46	76	95	115
(ft)	lbs	lbs	lbs	lbs
26,9	132,3			
40	127,9	83,4		
45	125,5	78,6	63,2	
55	111,4	70,1	57,2	47,5
90	82,4	52,1	41,8	34,5
130	59,4	39,7	31,6	27,4
150	47,6	35,8	29,1	24,1
170	38,7	32,6	26,5	21,7
185	33,4	31,8	24,7	20,1
215		26,6	22,0	17,6
235			20,6	16,5
255				15,4

## Main boom 184 ft

Radius	Fixed jib length in (ft)			
	46	76	95	115
(ft)	lbs	lbs	lbs	lbs
27,9	132,3			
40	129,7	85,1		
50	123,4	77,0	61,7	
55	116,8	72,9	58,9	48,0
90	86,9	56,1	44,0	35,7
130	57,5	43,4	34,3	28,6
170	36,8	35,7	29,0	23,1
190	30,0	31,8	26,5	21,2
210	24,4	26,1	24,4	19,4
240		19,3	20,4	17,4
260			16,6	16,2
280				14,2

## Main boom 203 ft

Radius	Fixed jib length in (ft)			
	46	76	95	115
(ft)	lbs	lbs	lbs	lbs
28,6	132,3			
40	131,8	84,1		
50	123,7	77,7	62,2	
55	120,1	73,8	59,2	47,7
90	89,9	58,0	44,9	36,5
130	56,2	45,3	35,4	29,5
170	35,5	37,2	29,7	24,0
210	23,1	24,8	25,5	20,3
230	18,4	20,1	21,2	18,8
255		15,2	16,3	17,1
275			12,9	13,8
295				10,8

## Main boom 223 ft

Radius	Fixed jib length in (ft)			
	46	76	95	115
(ft)	lbs	lbs	lbs	lbs
29,3	132,3			
40	132,3	83,4		
50	124,6	78,0	62,5	
55	121,7	74,8	59,6	47,3
90	92,7	58,9	45,9	37,2
130	55,1	47,1	36,4	30,5
170	34,3	36,3	30,4	25,0
210	21,9	23,6	24,8	21,1
245	14,3	15,9	17,0	17,8
275		10,8	11,8	12,7
295			8,9	9,7
315				7,0

## Main boom 243 ft

Radius	Fixed jib length in (ft)			
	46	76	95	115
(ft)	lbs	lbs	lbs	lbs
30	132,3			
45	130,9	82,2		
50	125,5	78,3	61,9	
55	121,5	75,5	59,8	47,0
80	101,6	62,9	50,2	40,1
120	61,4	50,6	39,5	33,2
160	37,1	39,3	32,6	27,2
200	23,2	25,0	26,3	22,7
260	10,3	11,9	13,0	13,8
290		6,8	8,2	9,2
310			4,9	6,0
330				2,9

## Main boom 262 ft

Radius	Fixed jib length in (ft)		
	46	56	
(ft)	lbs	lbs	
30,7	132,3		
35	132,3	113,3	
60	118,0	95,5	
100	80,6	75,2	
140	46,1	47,0	
180	28,2	28,8	
220	16,9	17,4	
240	12,6	13,2	
260	8,8	9,4	
280	4,9	5,5	
285		4,6	
290		3,7	

Capacities in 1000 lbs with fixed jib (No. 1713.xx), 273,400 lbs counterweight + 125,700 lbs carbody counterweight. Above lift chart is for reference only. For actual lift duty and complete chart with all available configurations please refer to lift chart in operator's cab or manual.

# Lift chart - fixed jib (No. 1713.xx)

TLT 11230834 - M141906 Offiziell

Offset 30°

## Main boom 66 ft

Radius (ft)	Fixed jib length in (ft)			
	46 lbs	76 lbs	95 lbs	115 lbs
50	73,0			
60	65,2	45,1		
65	63,1	42,8	35,9	
75	57,4	38,9	33,2	28,2
80	55,3	37,1	32,1	27,6
90	51,5	34,3	29,4	25,2
100	49,1	31,9	26,9	23,0
110	47,5	30,7	25,0	21,3
120		29,0	23,4	19,8
140		27,1	20,9	17,4
160			19,8	15,7
180				14,8

## Main boom 95 ft

Radius (ft)	Fixed jib length in (ft)			
	46 lbs	76 lbs	95 lbs	115 lbs
45	80,9			
55	73,1	48,5		
65	66,9	44,3	36,3	
80	60,5	39,4	33,1	28,0
90	56,6	36,5	30,6	25,8
100	53,6	34,3	28,5	23,9
110	51,0	32,3	26,6	22,4
120	49,2	31,3	25,1	20,9
135	47,6	29,3	23,1	19,2
165		27,1	20,4	16,6
185			19,8	15,4
205				14,9

## Main boom 125 ft

Radius (ft)	Fixed jib length in (ft)			
	46 lbs	76 lbs	95 lbs	115 lbs
40	86,9			
55	76,1	49,9		
70	68,1	44,5	35,6	
80	63,7	41,3	33,4	28,2
100	57,5	36,6	30,1	24,6
120	52,6	33,1	26,8	21,8
140	49,3	31,2	24,3	19,7
150	48,5	30,0	23,3	18,7
160	44,6	29,0	22,5	17,9
190		27,5	20,5	16,0
210			20,1	15,2
230				14,8

## Main boom 154 ft

Radius (ft)	Fixed jib length in (ft)			
	46 lbs	76 lbs	95 lbs	115 lbs
40	87,6			
55	78,4	49,1		
70	70,9	44,5	35,4	
80	66,7	41,8	33,2	28,3
100	61,0	37,5	30,5	25,1
120	55,7	34,3	27,5	22,5
140	51,9	31,7	25,2	20,4
160	43,5	30,1	23,2	18,8
185	33,5	28,1	21,5	17,1
215		26,9	20,2	15,7
235			19,8	15,1
255				14,9

## Main boom 184 ft

Radius (ft)	Fixed jib length in (ft)			
	46 lbs	76 lbs	95 lbs	115 lbs
40	87,8			
60	77,6	48,7		
70	72,8	45,9	36,2	
80	69,5	43,6	34,2	27,6
100	63,0	39,6	31,7	25,4
120	58,5	36,1	28,9	23,0
140	52,4	33,5	26,5	21,1
180	33,8	30,3	23,1	18,1
215	23,3	25,6	21,1	16,4
240		19,6	20,3	15,5
260			16,9	15,0
280				14,5

## Main boom 203 ft

Radius (ft)	Fixed jib length in (ft)			
	46 lbs	76 lbs	95 lbs	115 lbs
40	87,5			
60	78,2	49,0		
70	74,0	46,3	36,3	
80	70,4	44,1	34,4	27,5
100	64,2	40,1	32,2	25,6
140	51,2	34,4	27,1	21,6
180	32,8	31,1	23,7	18,6
220	21,0	23,2	21,5	16,6
230	18,6	20,8	21,0	16,3
260		14,5	16,0	15,3
280			12,4	13,6
300				10,4

## Main boom 223 ft

Radius (ft)	Fixed jib length in (ft)			
	46 lbs	76 lbs	95 lbs	115 lbs
45	86,1			
60	78,8	49,1		
70	75,2	46,7	36,1	
85	70,0	43,6	33,7	27,9
100	65,7	40,6	32,6	25,8
140	50,2	35,1	27,6	22,0
180	31,7	31,5	24,3	19,1
220	20,0	22,2	21,8	17,0
245	14,5	16,6	18,0	16,1
275		11,0	12,4	13,6
295			9,2	10,4
315				7,4

## Main boom 243 ft

Radius (ft)	Fixed jib length in (ft)			
	46 lbs	76 lbs	95 lbs	115 lbs
45	86,4			
60	79,3	48,7		
70	76,1	46,8	35,8	
85	70,7	43,7	33,9	27,7
100	66,8	40,9	32,6	26,0
140	49,0	35,5	28,1	22,2
180	30,5	31,7	24,8	19,5
220	18,7	21,0	22,3	17,4
265	9,7	11,7	13,1	14,3
295		6,2	8,1	9,4
315			4,4	6,0
335				2,5

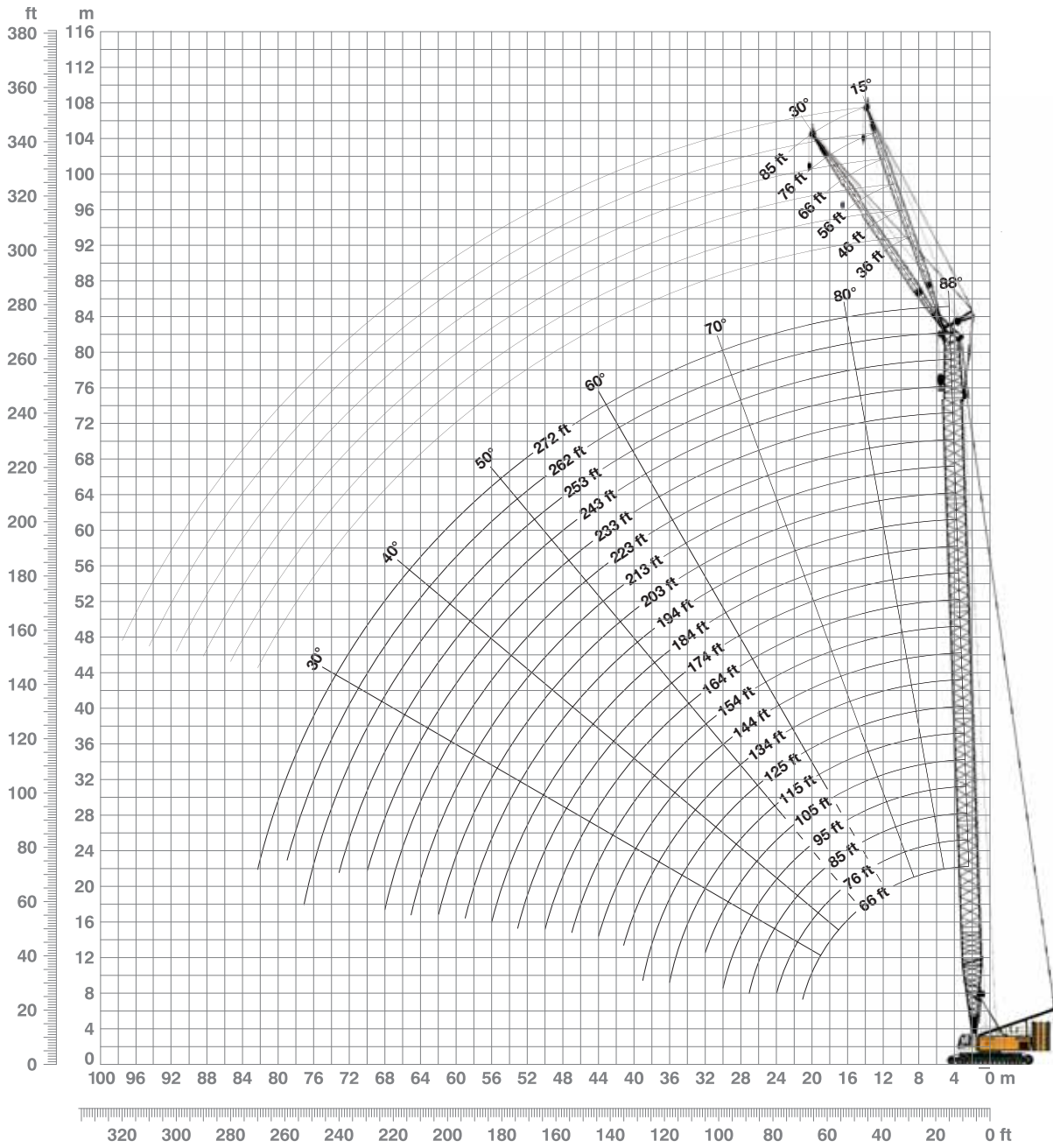
## Main boom 262 ft

Radius (ft)	Fixed jib length in (ft)		
	46 lbs	56 lbs	
45	85,8		
50	83,9	67,5	
60	79,8	65,6	
80	72,8	60,3	
100	67,6	55,5	
120	62,5	51,7	
140	48,0	48,7	
180	29,4	30,3	
220	17,6	18,3	
260	9,3	10,1	
280	5,2	5,9	
290		4,0	

Capacities in 1000 lbs with fixed jib (No. 1713.xx), 273,400 lbs counterweight + 125,700 lbs carbody counterweight. Above lift chart is for reference only. For actual lift duty and complete chart with all available configurations please refer to lift chart in operator's cab or manual.

# Working range - fixed jib 15° and 30° (No. 1008.xx)

Main boom 88° – 30°



**Boom configuration for boom lengths (66 ft – 282 ft)** – see table 1 on page 12

**Fixed jib configuration for fixed jib lengths (36 ft – 85 ft)**

	Length*	Amount of fixed jib extensions					
Fixed jib foot	18 ft	1	1	1	1	1	1
Fixed jib insert	10 ft		1			1	1
Fixed jib insert	20 ft			1		2	2
Fixed jib head	18 ft	1	1	1	1	1	1
Fixed jib length (ft)		36	46	56	66	76	85

\*Actual lengths of boom sections are metric (e.g. 3 m, 5.5 m, 6 m). The figures shown above are approximate conversions to feet.

# Lift chart - fixed jib (No. 1008.xx)

TLT 10539958 - M141906 Offiziell

Offset 15°

## Main boom 66 ft

Radius	Fixed jib length in (ft)			
	36	46	66	85
(ft)	lbs	lbs	lbs	lbs
40	99,2			
45	99,2	86,8		
50	97,5	78,9	58,4	
55	89,7	73,1	56,7	44,2
60	83,3	67,5	52,3	42,5
70	73,0	60,1	45,9	37,3
80	64,7	54,3	40,5	33,4
90	60,5	48,7	36,6	30,8
100	54,9	44,6	33,2	28,2
110		41,0	31,9	26,0
130			27,6	22,1
150				19,5

## Main boom 95 ft

Radius	Fixed jib length in (ft)			
	36	46	66	85
(ft)	lbs	lbs	lbs	lbs
35	99,2			
40	99,2	96,2		
45	99,2	92,9	67,9	
50	99,2	89,0	63,6	49,6
60	97,8	76,8	57,6	45,1
70	85,9	68,1	50,6	40,4
90	69,8	57,6	41,3	33,4
110	61,3	48,3	35,0	28,8
125	54,9	43,7	32,1	26,1
135		41,1	31,1	24,3
155			27,7	21,6
175				19,5

## Main boom 125 ft

Radius	Fixed jib length in (ft)			
	36	46	66	85
(ft)	lbs	lbs	lbs	lbs
30	99,2	99,2		
40	99,2	99,2	76,1	
45	99,2	95,8	70,5	52,2
50	99,2	92,9	66,6	50,2
70	98,3	75,5	55,0	42,4
90	80,1	62,2	45,7	35,4
110	68,0	55,2	38,8	31,4
130	61,0	48,1	34,1	27,7
150	49,2	43,2	31,7	24,6
160		41,1	30,3	23,2
180			27,7	21,2
200				19,6

## Main boom 154 ft

Radius	Fixed jib length in (ft)			
	36	46	66	85
(ft)	lbs	lbs	lbs	lbs
25	99,2			
30	99,2	99,2		
35	99,2	99,2	79,7	
45	99,2	98,8	72,9	52,2
60	99,2	90,5	62,8	47,7
80	98,8	74,6	53,1	40,7
100	82,3	63,3	45,6	34,8
140	53,1	50,5	35,2	28,2
175	36,9	37,8	31,2	23,6
185		34,3	29,9	22,6
205			27,7	21,0
225				19,6

## Main boom 184 ft

Radius	Fixed jib length in (ft)			
	36	46	66	85
(ft)	lbs	lbs	lbs	lbs
23,4	99,2			
30	99,2	99,2		
35	99,2	99,2	78,9	
45	99,2	99,2	74,8	52,1
80	98,7	80,1	56,5	42,2
120	65,0	60,3	42,6	33,4
160	41,1	42,0	34,5	27,5
180	33,4	34,2	31,9	25,1
200	27,2	28,0	29,5	23,1
210		25,3	26,8	22,3
230			22,1	20,9
250				19,4

## Main boom 203 ft

Radius	Fixed jib length in (ft)			
	36	46	66	85
(ft)	lbs	lbs	lbs	lbs
24,1	99,2			
30	99,2	99,2		
40	99,2	99,2	76,8	
45	99,2	99,2	75,3	51,8
70	99,1	89,7	61,8	46,4
120	63,7	63,1	44,6	33,6
160	39,7	40,7	36,2	28,4
200	25,9	26,7	28,2	24,1
220	20,8	21,6	23,1	22,4
230		19,4	20,9	21,8
245			17,8	19,1
265				15,5

## Main boom 223 ft

Radius	Fixed jib length in (ft)			
	36	46	66	85
(ft)	lbs	lbs	lbs	lbs
24,7	99,2			
30	99,2	99,2		
40	99,2	99,2	76,3	
45	99,2	99,2	74,8	51,3
80	96,6	86,8	59,0	43,8
120	62,5	63,7	46,2	34,6
160	38,5	39,5	37,6	29,7
200	24,6	25,5	27,1	25,2
235	16,4	17,2	18,6	20,0
245		15,2	16,7	18,0
265			13,1	14,4
285				11,3

## Main boom 262 ft

Radius	Fixed jib length in (ft)			
	36	46	66	85
(ft)	lbs	lbs	lbs	lbs
26,1	99,2			
30	99,2	99,2		
40	99,2	99,2	74,2	
50	99,2	99,2	72,1	49,7
90	92,4	84,1	57,2	42,2
170	31,8	32,7	34,6	30,3
210	19,3	20,2	21,8	23,3
250	10,9	11,7	13,2	14,5
270	7,1	8,1	9,8	11,1
280		6,2	8,1	9,6
300			4,6	6,2
320				3,1

## Main boom 272 ft

Radius	Fixed jib length in (ft)			
	36	46		
(ft)	lbs	lbs		
26,5	99,2			
35	99,2	99,2		
40	99,2	99,2		
80	99,2	89,2		
120	59,4	60,6		
160	35,2	36,2		
200	21,3	22,1		
220	16,3	17,1		
240	12,1	12,9		
260	8,2	9,1		
280	4,4	5,3		
285		4,4		

Capacities in 1000 lbs with fixed jib (No. 1008.xx), 273,400 lbs counterweight + 125,700 lbs carbody counterweight. Above lift chart is for reference only. For actual lift duty and complete chart with all available configurations please refer to lift chart in operator's cab or manual.

# Lift chart - fixed jib (No. 1008.xx)

TLT 10539958 - M141906 Offiziell

Offset 30°

## Main boom 66 ft

Radius	Fixed jib length in (ft)			
	36	46	66	85
(ft)	lbs	lbs	lbs	lbs
50	66,7			
55	64,6	52,4		
65	58,5	46,9	34,5	
70	55,7	44,5	32,9	28,0
80	51,0	40,7	31,3	25,3
90	47,5	37,7	28,8	23,0
100	45,3	35,6	26,7	21,2
110		34,2	25,0	19,6
120			23,8	18,5
130			23,1	17,4
140				16,7
150				16,3

## Main boom 95 ft

Radius	Fixed jib length in (ft)			
	36	46	66	85
(ft)	lbs	lbs	lbs	lbs
45	76,4			
50	72,6	58,9		
60	65,1	53,3	37,9	
65	64,3	50,6	36,1	30,3
70	62,3	48,4	34,5	28,8
80	57,1	44,8	32,4	26,3
90	53,3	41,6	31,1	24,4
110	47,6	37,1	27,3	21,2
125	45,2	35,0	25,3	19,4
135		34,1	24,2	18,5
155			23,0	16,9
175				16,3

## Main boom 125 ft

Radius	Fixed jib length in (ft)			
	36	46	66	85
(ft)	lbs	lbs	lbs	lbs
35	89,3			
40	84,1	64,5		
50	76,1	61,1	42,5	
65	66,8	53,8	37,5	30,5
70	64,6	51,6	35,9	29,3
90	58,1	45,0	32,0	25,3
110	52,0	40,3	29,3	22,4
130	47,6	36,7	26,6	20,1
150	45,2	34,8	24,5	18,5
160		34,1	23,8	17,7
180			23,0	16,7
200				16,3

## Main boom 154 ft

Radius	Fixed jib length in (ft)			
	36	46	66	85
(ft)	lbs	lbs	lbs	lbs
35	90,5			
40	86,3	66,3		
50	79,2	62,5	41,4	
65	70,8	55,7	38,1	30,8
80	64,3	50,5	34,6	27,8
100	58,8	45,2	31,8	24,7
140	49,2	37,8	27,0	20,2
160	43,4	35,4	25,1	18,8
175	37,2	34,6	24,0	17,8
185		34,1	23,6	17,3
205			23,0	16,6
225				16,3

## Main boom 184 ft

Radius	Fixed jib length in (ft)			
	36	46	66	85
(ft)	lbs	lbs	lbs	lbs
32,1	93,1			
40	88,2	66,4		
55	78,4	61,5	41,4	
65	72,9	57,6	38,8	31,2
90	64,0	49,7	33,8	26,8
130	54,4	41,4	29,6	22,0
170	37,6	36,5	25,7	19,0
190	30,5	31,5	24,3	17,9
205	26,0	27,0	23,7	17,2
215		24,3	23,4	16,8
230			22,4	16,5
250				16,3

## Main boom 203 ft

Radius	Fixed jib length in (ft)			
	36	46	66	85
(ft)	lbs	lbs	lbs	lbs
32,8	92,7			
40	88,7	66,4		
55	80,0	62,3	41,7	
65	74,5	58,7	39,2	31,2
100	63,6	48,6	33,2	25,8
140	51,0	41,3	29,3	21,8
180	32,6	33,6	25,8	19,0
200	26,3	27,2	24,5	18,0
220	21,0	21,9	23,6	17,1
230		19,6	21,4	16,8
250			17,1	16,5
270				14,9

## Main boom 223 ft

Radius	Fixed jib length in (ft)			
	36	46	66	85
(ft)	lbs	lbs	lbs	lbs
33,4	92,3			
40	89,1	65,9		
55	80,8	62,9	41,9	
65	76,0	59,7	39,6	31,0
100	64,1	49,7	33,5	26,2
140	49,9	42,6	30,2	22,2
180	31,5	32,6	26,5	19,4
220	20,0	20,9	22,7	17,6
235	16,6	17,5	19,3	17,1
245		15,4	17,2	16,8
265			13,4	15,0
285				11,6

## Main boom 262 ft

Radius	Fixed jib length in (ft)			
	36	46	66	85
(ft)	lbs	lbs	lbs	lbs
34,8	90,8			
45	86,9	66,4		
55	81,8	63,8	41,6	
70	75,7	59,0	38,9	30,6
110	63,7	49,3	33,4	25,6
150	41,9	42,6	30,4	22,1
190	25,7	26,8	27,0	19,7
230	15,3	16,2	18,1	17,9
270	7,4	8,5	10,4	12,0
280		6,5	8,7	10,3
300			4,9	6,9
320				3,4

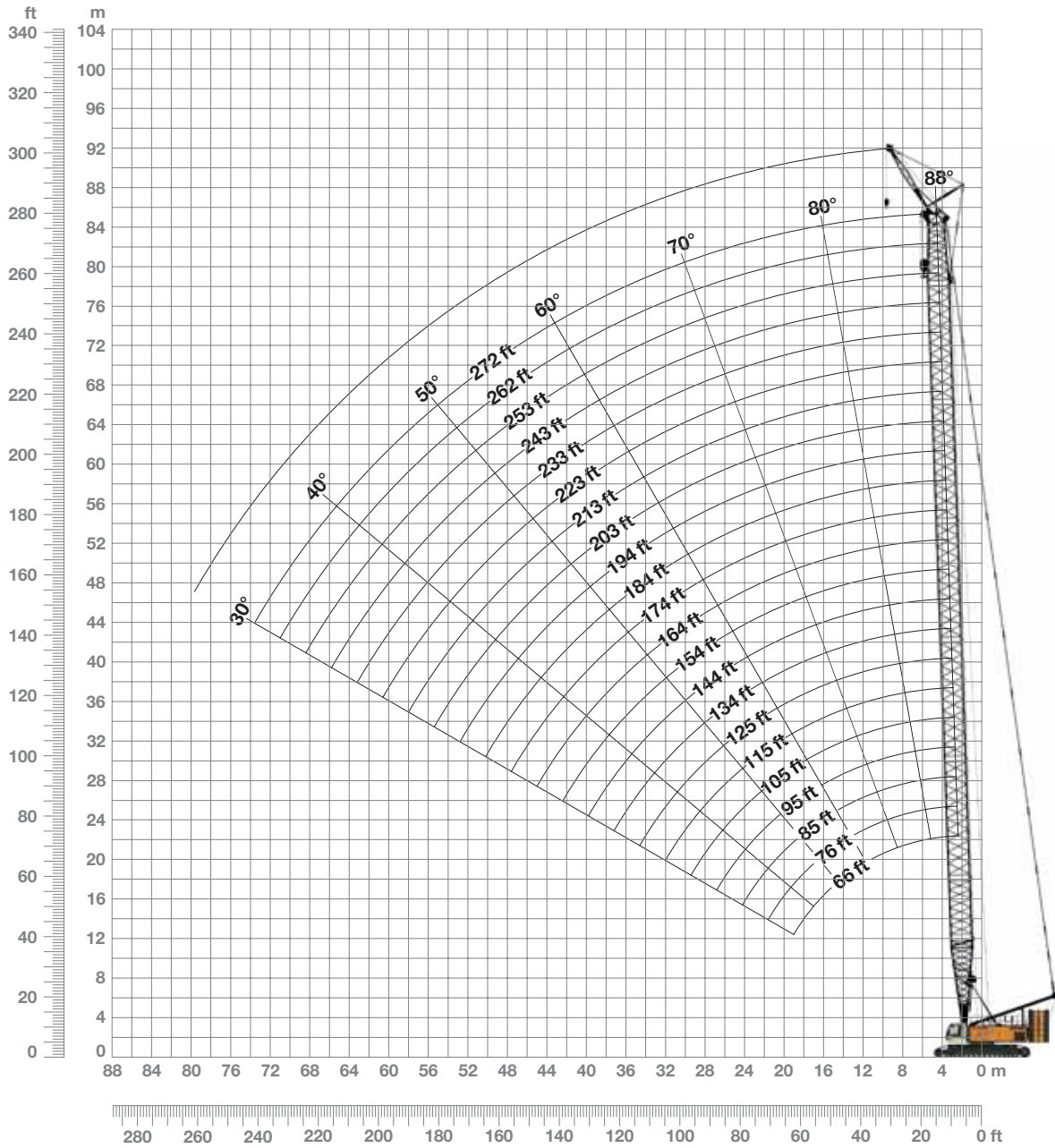
## Main boom 272 ft

Radius	Fixed jib length in (ft)	
	36	46
(ft)	lbs	lbs
35,2	90,7	
45	87,1	66,4
60	80,1	62,1
100	66,7	52,1
140	46,9	45,0
180	28,5	29,6
200	22,1	23,2
220	16,9	17,9
240	12,6	13,5
260	8,6	9,7
280	4,6	5,7
290		3,8

Capacities in 1000 lbs with fixed jib (No. 1008.xx), 273,400 lbs counterweight + 125,700 lbs carbody counterweight. Above lift chart is for reference only. For actual lift duty and complete chart with all available configurations please refer to lift chart in operator's cab or manual.

# Working range main boom 88° - 30°

Fixed jib (No.0906.21)



## Main boom configuration (No. 2821.xx)

### Configuration for boom lengths between 66 ft and 272 ft

Length	Amount of boom extensions																						
		33 ft	40 ft	47 ft	54 ft	61 ft	68 ft	75 ft	82 ft	89 ft	96 ft	103 ft	110 ft	117 ft	124 ft	131 ft	138 ft	145 ft	152 ft	159 ft	166 ft		
Boom foot	33 ft	1	1	1	1	1	1	1	1	1	1	1	1	1	1	1	1	1	1	1	1	1	
Boom insert	10 ft	1		1		1		1		1		1		1		1		1		1		1	
Boom insert	20 ft		1	1		1	1		1	1		1	1		1	1		1	1		1	1	
Boom insert	40 ft				1	1	1	1	2	2	2	2	3	3	3	3	4	4	4	4	5	5	5
Boom head	23 ft	1	1	1	1	1	1	1	1	1	1	1	1	1	1	1	1	1	1	1	1	1	
Boom length (ft)		66	76	85	95	105	115	125	134	144	154	164	174	184	194	203	213	223	233	243	253	262	272

\*Actual lengths of boom sections are metric (e.g. 3 m, 6 m, 7 m, 10 m, 12 m). The figures shown above are approximate conversions to feet.



# Lift chart - fixed jib 23 ft

(No. 0906.21) offset 30°

TLT 10539958 - M107135 Offiziell

273,400 lbs counterweight and 125,700 lbs carbody counterweight

Main boom 66 ft		Main boom 85 ft		Main boom 105 ft		Main boom 125 ft	
Radius (ft)	Jib length 23 ft (lbs)	Radius (ft)	Jib length 23 ft (lbs)	Radius (ft)	Jib length 23 ft (lbs)	Radius (ft)	Jib length 23 ft (lbs)
45	142,3	40	157,3	40	162,7	35	173,8
50	135,4	50	143,2	50	149,5	40	166,8
55	128,3	55	137,9	60	138,4	50	154,4
60	123,3	60	131,7	70	128,9	60	143,4
65	119,2	65	126,4	80	120,6	70	135,2
70	115,1	70	122,9	85	111,1	80	119,7
75	111,8	75	119,5	90	102,9	90	101,9
80	109,8	80	116,2	95	95,5	100	88,1
85	108,2	85	111,6	100	89,1	110	77,1
		90	103,3	105	83,2	120	68,0
		95	95,9	110	78,0	130	60,5
		100	89,4	115	73,2	135	57,2
		105	83,4	120	68,8	140	54,0

Main boom 144 ft		Main boom 164 ft		Main boom 184 ft		Main boom 203 ft	
Radius (ft)	Jib length 23 ft (lbs)	Radius (ft)	Jib length 23 ft (lbs)	Radius (ft)	Jib length 23 ft (lbs)	Radius (ft)	Jib length 23 ft (lbs)
30	184,1	26,6	188,4	27,3	187,3	28	186,2
40	169,8	30	185,3	30	186,5	30	186,2
50	157,2	40	171,7	40	174,1	40	175,9
60	148,4	50	160,5	50	163,5	50	166,1
70	139,6	60	152,4	60	154,2	60	156,7
80	118,9	70	141,0	70	141,1	80	116,1
90	101,1	80	117,9	80	117,1	100	84,1
100	87,3	90	100,0	100	85,2	120	64,1
110	76,2	100	86,2	120	65,3	140	50,1
120	67,2	120	66,1	140	51,3	160	39,8
130	59,8	140	52,3	160	41,0	180	31,9
140	53,4	160	42,0	180	33,1	200	25,6
155	45,3	175	33,4	190	29,8	205	24,2

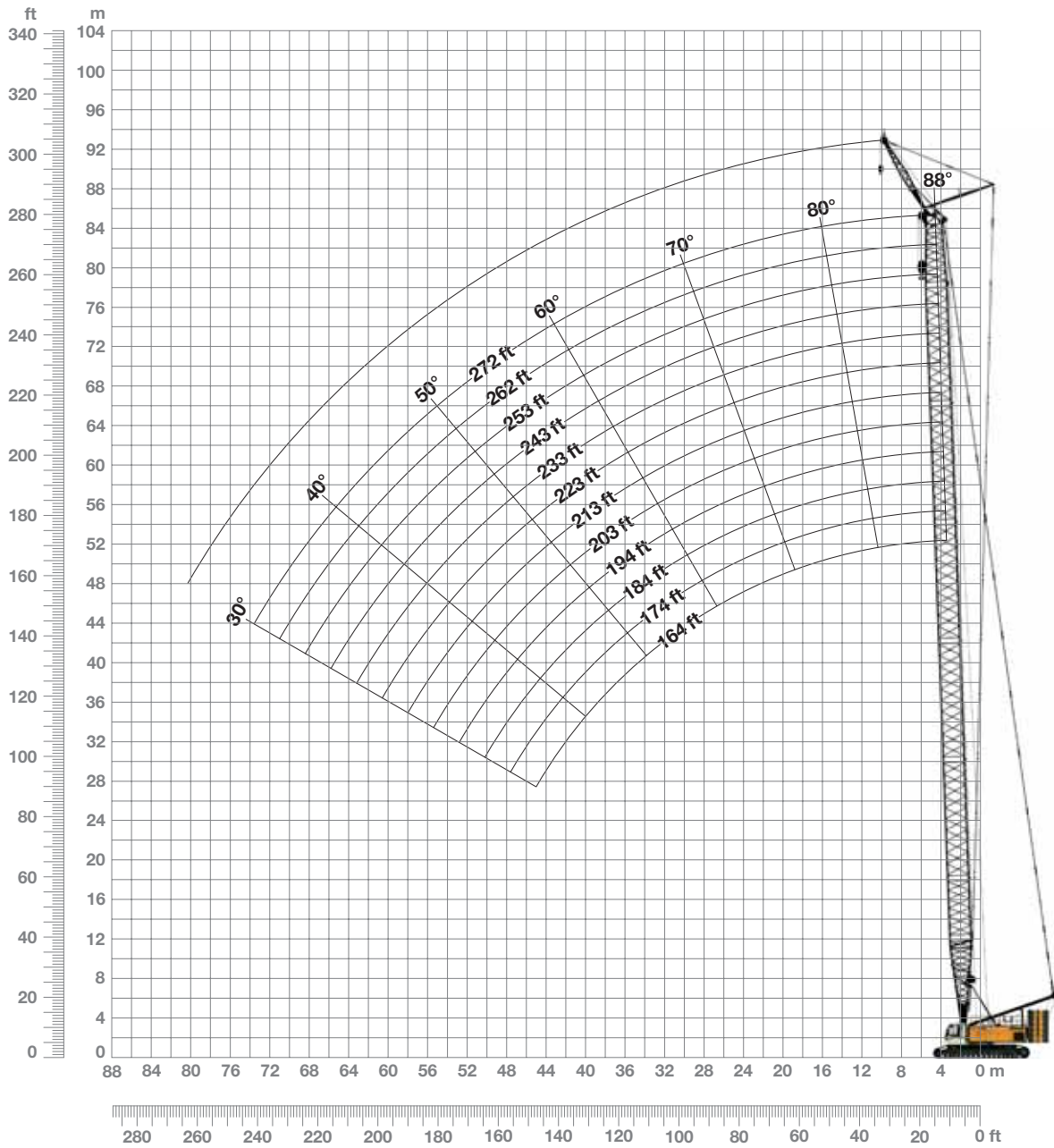
  

Main boom 223 ft		Main boom 243 ft		Main boom 262 ft		Main boom 272 ft	
Radius (ft)	Jib length 23 ft (lbs)	Radius (ft)	Jib length 23 ft (lbs)	Radius (ft)	Jib length 23 ft (lbs)	Radius (ft)	Jib length 23 ft (lbs)
28,7	185,1	29,4	183,8	30	181,7	30,4	180,5
30	185,1	30	183,8	40	176,6	40	176,4
40	176,9	40	177,2	60	161,7	60	161,7
60	155,1	60	157,7	80	113,2	80	112,7
80	115,1	80	114,1	100	80,9	100	80,3
100	83,1	100	81,9	120	60,7	120	60,1
120	63,0	120	61,8	140	46,5	140	45,9
140	49,0	140	47,7	160	36,2	160	35,6
160	38,7	160	37,4	180	28,3	180	27,7
180	30,8	180	29,5	200	22,1	200	21,4
200	24,5	200	23,2	220	16,9	220	16,3
220	19,4	220	18,1	240	12,7	240	12,1
225	18,2	240	13,8	260	8,9	265	7,0

Capacities in 1000 lbs with fixed jib (No. 0906.21) 273,400 lbs counterweight + 125,700 lbs carbody counterweight. Above lift chart is for reference only. For actual lift duty and complete chart with all available configurations please refer to lift chart in operator's cab or manual.

# Working range main boom 88° - 30°

Fixed jib (No. 1507.20)



## Main boom configuration (No. 2821.xx)

### Configuration for boom lengths between 164 ft and 272 ft

	Length*	Amount of boom extensions																			
Boom foot	33 ft									1	1	1	1	1	1	1	1	1	1	1	1
Boom insert	10 ft									1		1			1					1	
Boom insert	20 ft									1		1			1						1
Boom insert	40 ft									2	3	3	3	3	4	4	4	4	5	5	5
Boom head	23 ft									1	1	1	1	1	1	1	1	1	1	1	1
Boom length (ft)										164	174	184	194	203	213	223	233	243	253	262	272

\*Actual lengths of boom sections are metric (e.g. 3 m, 6 m, 7 m, 10 m, 12 m). The figures shown above are approximate conversions to feet.

# Lift chart - fixed jib 26.3 ft

(No. 1507.20) offset 30°

TLT 10539958 - M107135 Offiziell

273,400 lbs counterweight and 125,700 lbs carbody counterweight

Main boom 164 ft	
Radius (ft)	Jib length 26.3 ft (lbs)
26,2	257,9
30	257,9
40	251,6
50	220,5
60	175,2
70	141,2
80	117,2
90	99,3
100	85,4
120	65,4
140	51,4
160	41,1
175	34,9

Main boom 174 ft	
Radius (ft)	Jib length 26.3 ft (lbs)
26,7	257,9
30	257,9
40	247,6
50	219,6
60	174,9
70	140,9
80	116,8
100	85,0
120	65,0
140	51,1
160	40,8
180	32,8
185	31,1

Main boom 184 ft	
Radius (ft)	Jib length 26.3 ft (lbs)
27,1	257,9
30	257,9
40	246,1
50	217,9
60	174,5
70	140,4
80	116,3
100	84,4
120	64,4
140	50,4
160	40,1
180	32,2
195	27,3

Main boom 194 ft	
Radius (ft)	Jib length 26.3 ft (lbs)
27,4	257,9
30	257,9
40	247,6
50	216,5
60	174,1
70	140,0
80	115,8
100	83,9
120	63,8
140	49,8
160	39,5
180	31,6
200	25,3

Main boom 203 ft	
Radius (ft)	Jib length 26.3 ft (lbs)
27,8	257,9
30	257,9
40	251,4
50	212,0
60	173,8
80	115,3
100	83,2
120	63,2
140	49,1
160	38,8
180	30,9
200	24,6
210	21,9

Main boom 213 ft	
Radius (ft)	Jib length 26.3 ft (lbs)
28,2	257,9
30	257,9
40	257,9
50	209,6
60	173,4
80	114,9
100	82,8
120	62,7
140	48,7
160	38,4
180	30,5
200	24,2
220	19,0

Main boom 223 ft	
Radius (ft)	Jib length 26.3 ft (lbs)
28,6	257,2
30	256,7
40	251,7
60	172,3
80	114,4
100	82,2
120	62,1
140	48,0
160	37,6
180	29,8
200	23,5
220	18,3
225	17,1

Main boom 233 ft	
Radius (ft)	Jib length 26.3 ft (lbs)
29	243,6
30	243,6
40	239,2
60	170,7
80	113,9
100	81,6
120	61,5
140	47,4
160	37,0
180	29,2
200	22,9
220	17,7
235	14,4

Main boom 243 ft	
Radius (ft)	Jib length 26.3 ft (lbs)
29,3	223,1
40	217,8
60	167,9
80	113,3
100	81,0
120	60,8
140	46,7
160	36,3
180	28,4
200	22,1
220	17,0
240	12,7
245	11,7

Main boom 253 ft	
Radius (ft)	Jib length 26.3 ft (lbs)
29,7	212,7
40	212,7
60	168,8
80	112,9
100	80,5
120	60,3
140	46,2
160	35,8
180	27,9
200	21,6
220	16,5
240	12,2
255	9,3

Main boom 262 ft	
Radius (ft)	Jib length 26.3 ft (lbs)
30,1	196,3
40	193,6
60	165,4
80	112,4
100	80,0
120	59,7
140	45,5
160	35,1
180	27,2
200	20,9
220	15,8
240	11,5
260	7,2

Main boom 272 ft	
Radius (ft)	Jib length 26.3 ft (lbs)
30,4	183,7
40	181,2
60	159,3
80	111,9
100	79,4
120	59,1
140	44,9
160	34,5
180	26,6
200	20,3
220	15,1
240	10,8
270	4,2

Capacities in 1000 lbs with fixed jib (No. 1507.20) 273,400 lbs counterweight + 125,700 lbs carbody counterweight. Above lift chart is for reference only. For actual lift duty and complete chart with all available configurations please refer to lift chart in operator's cab or manual.

# Technical description

## Engine

Power rating according to ISO 9249, 390 kW (523 hp) at 1900 rpm  
Engine type — Liebherr D 856 A7 SCR  
Fuel tank — 198 gal capacity with continuous level indicator  
and reserve warning  
Engine complies with NRMM exhaust certification EPA/CARB Tier 4i or 97/68 EC Stage IIIB.

## Hydraulic system

An axial displacement pump supplies the open loop hydraulic system for boom luffing, jib luffing and travel. The main hoist winches and swing are operated in a closed loop system. All functions can be operated simultaneously. To minimize peak pressure an automatic working pressure cut-off has been installed. All filters are electronically monitored. The use of synthetic environmentally friendly (biodegradable) oils is possible.  
Working pressure — max. 5076 PSI  
Oil tank capacity — 217 gal

## Luffing jib winch

Line pull — max. 23,605 lbf  
Rope diameter — 20 mm  
Jib luffing — 69 sec. from 15° to 78°

## Boom winch

Line pull — max. 48,785 lbf  
Rope diameter — 24 mm  
Boom luffing — 127 sec. from 15° to 86°

## Crawlers

Propulsion through axial piston motor, hydraulically released spring loaded multi-disc brake, crawler tracks, hydraulic chain tensioning device.  
Track pads — 47.2 inch (optional 59 inch)  
Drive speed — 0 – 0.8 mph

## Swing

Consists of rollerbearing with external teeth, swing drive with fixed axial piston hydraulic motor, spring loaded and hydraulically released multi-disc holding brake, planetary gearbox and pinion.  
Both swing modes are possible – speed control or free swing.  
A multi-disc holding brake acts automatically at zero swing motion.  
Swing speed from 0 – 1.8 rpm continuously variable.

## Main winches

Line pull (1st layer) — max. 48,335 lbf  
Line pull (7th layer) — 33,725 lbf  
Rope diameter — 28 mm  
Drum diameter — 28.7 inch  
Rope speed — 0 – 453 ft/min  
Rope capacity in 7 layers — 1,870 ft  
The winches are outstanding in their compact design and easy assembly.

Propulsion is via a planetary gearbox in an oil bath.  
Load support by the hydraulic system; additional safety factor provided by a spring loaded, multi-disc holding brake.  
The main winches use pressure controlled, variable flow hydraulic motors.  
This system features sensors that automatically adjust oil flow to provide max. winch speed depending on load.

Option – winch with free-fall system:

Line pull (1st layer in crane operation) — max. 42,715 lbf  
Line pull (7th layer in crane operation) — 29,225 lbf  
Line pull (1st layer in free-fall operation) — 38,220 lbf  
Line pull (7th layer in free-fall operation) — 26,530 lbf  
Rope diameter — 28 mm  
Drum diameter — 28.7 inch  
Rope speed — 0 – 515 ft/min  
Rope capacity in 7 layers — 1,870 ft

The winches are outstanding in their compact design and easy assembly.

Clutch and braking functions on the free-fall system are provided by a compact designed, low wear and maintenance-free multi-disc brake.

## Control

The control system – developed and manufactured by Liebherr – is designed to withstand extreme environmental conditions such as temperature, vibration and electromagnetic interference and to meet all requirements that are needed in heavy duty crane operation. Complete machine operating data are shown on a high resolution display. Standard operational information is displayed by means of graphical symbols, fault indications are displayed in plain text (more than 15 languages available).

The cranes are equipped with proportional control for all main movements, which can be carried out simultaneously.

The crane is operated with 2 multi-directional joysticks, the right for winch I and boom, the left for winch II and swing control.

Option:

Bi-directional double T-levers for simultaneous boom and luffing jib operation.

The crawlers are activated by the two foot pedals. Additionally, hand levers can be attached to the pedals.

Remote control for assembly of counterweight and boom hinge pins.

## Noise emission

Noise emissions correspond with 2000/14/EC directive on noise emission by equipment used outdoors.

## Liebherr-Werk Nenzing GmbH

Dr. Hans Liebherr Str. 1, 6710 Nenzing/Austria  
Tel.: +43 50809 41-473, Fax: +43 50809 41-499  
crawler.crane@liebherr.com, www.liebherr.com  
facebook.com/LiebherrConstruction