

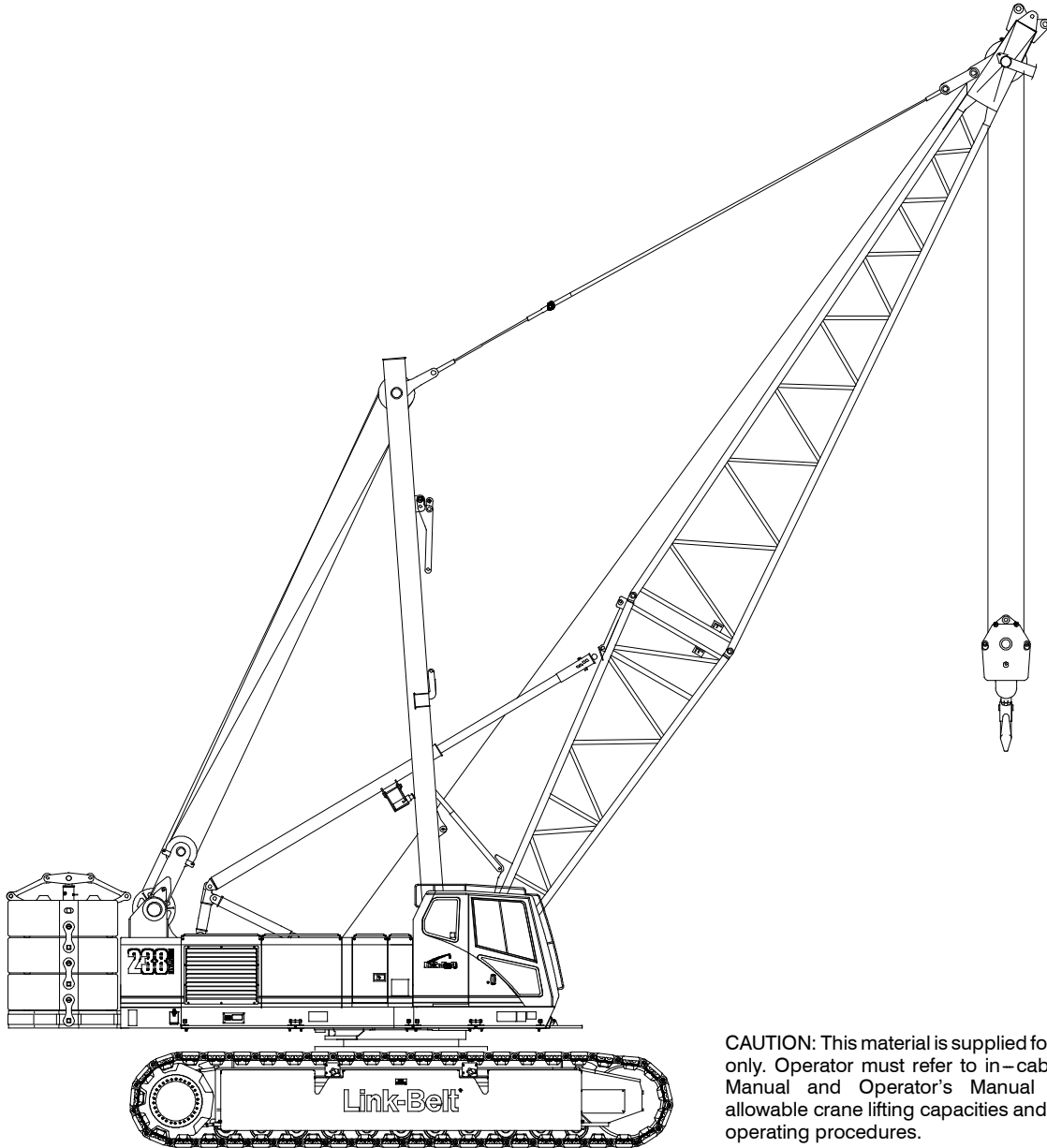
# Technical Data

## Specifications & Capacities

# 238

HYLAB 5

**Crawler Crane**  
150 Ton (136 metric ton)



**CAUTION:** This material is supplied for reference use only. Operator must refer to in-cab Crane Rating Manual and Operator's Manual to determine allowable crane lifting capacities and assembly and operating procedures.



# Table Of Contents

<b>Upper Structure</b> .....	<b>1</b>
Frame .....	1
Engine .....	1
Hydraulic System .....	1
Load Hoist Drums .....	1
Optional Front–Mounted Third Hoist Drum .....	1
Boom Hoist Drum .....	2
Swing System .....	2
Counterweight .....	2
Operator Cab .....	2
Rated Capacity Limiter System .....	2
Boom Hoist System .....	2
Machinery Cab .....	2
Catwalks .....	2
<b>Lower Structure</b> .....	<b>3</b>
Carbody .....	3
Side Frames .....	3
Travel and Steering .....	3
Jack System .....	3
<b>Attachment and Options</b> .....	<b>3</b>
Conventional Tube Boom .....	3
Tube Jib .....	4
Luffing Boom .....	4
Auxiliary Tip Extension .....	4
Luffing Jib .....	4
Fixed Jib .....	4
<b>Dimensions</b> .....	<b>5</b>
Base Crane .....	7
Side Frames .....	7
Upper Counterweights .....	8
Lower Counterweights .....	8
Boom/Luffing Boom .....	9
Jib .....	11
Luffing Jib .....	12
Hook Balls .....	12
Hook Blocks .....	13
<b>Working Weights</b> .....	<b>14</b>
<b>Transport Weights</b> .....	<b>14</b>
<b>Transport Drawings</b> .....	<b>15</b>
<b>Load Hoist Performance</b> .....	<b>17</b>
<b>Working Areas</b> .....	<b>18</b>
<b>Attachments</b> .....	<b>19</b>
<b>Main Boom Make–up</b> .....	<b>20</b>
<b>Main Boom Working Range Diagram</b> .....	<b>21</b>

<b>Main Boom Load Chart</b> .....	<b>22</b>
<b>Jib Attachment Make–up</b> .....	<b>24</b>
<b>Jib Attachment Working Range Diagram</b> .....	<b>25</b>
<b>Jib Attachment Load Charts</b> .....	<b>26</b>
<b>Luffing Attachment Make–up</b> .....	<b>30</b>
Luffing Boom Make–up .....	30
Luffing Jib Make–up .....	30
<b>Luffing Attachment Working Range Diagrams</b> .....	<b>31</b>
<b>Luffing Attachment Load Charts</b> .....	<b>35</b>
<b>Luffing Attachment Transport</b> .....	<b>47</b>

# Upper Structure

## Frame

All welded and precision machined surfaces for mating parts.

### Turntable Bearing

- Inner race with internal swing gear is bolted to lower frame.
- Outer race is bolted to upper frame.

## Engine

### Engine

Full pressure lubrication, oil filter, air cleaner, hour meter, throttle, and electric control shutdown.

Isuzu AH-6HK1X	
Number of cylinders	6
Bore and stroke	4.53 in x 4.92 in (115 x 125mm)
Piston displacement	475 in <sup>3</sup> (7.8L)
Engine rpm at full load speed	2,000 rpm
Hi-idle rpm	2,050 rpm
Gross engine hp	284 hp (212kw)
Peak torque	830 ft lb (1 125joule) @ 1,500 rpm
Electrical system	24 volt
Fuel tank capacity	77 gal (291.5L)
Batteries	2-12 volt
Approximate fuel consumption	gal/hr (L/hr)
100% hp	14.4 (54.51)
75% hp	11.7 (44.29)
50% hp	8.4 (31.80)
25% hp	4.2 (15.89)

### Fuel Tank

Equipped with fuel sight level gauges, flame arrester, and self-closing cap with locking eye for padlock.

## Hydraulic System

### Hydraulic Pumps

The pump arrangement is designed to provide hydraulically powered functions allowing positive, precise control with independent or simultaneous operation of all crane functions.

- Two variable displacement pumps operating at 4,480 psi (315kg/cm<sup>2</sup>) and 74 gal/min (280L/min) powers load hoist drums, boom hoist drum, optional third drum, and travel.
- Two fixed displacement gear type pumps operating at 3,340 psi (235kg/cm<sup>2</sup>) and 21 gal/min (80L/min) powers the swing motor, lower jacks, and counterweight removal.
- One fixed displacement gear type pump operating at 1,991 psi (140kg/cm<sup>2</sup>) and 8.4 gal/min (31.8L/min) powers the fan for the oil cooler.
- One fixed displacement gear type pump operating at 1,138 psi (80kg/cm<sup>2</sup>) and 10.7 gal/min (40.6L/min) powers the remote control valves.

### Remote Oil Cooler

Oil cooler, located behind the operator's cab, has a hydraulically driven, thermostatically controlled fan to control oil temperature.

### Pump Control "Fine Inching" Mode

Special pump setting, selectable from the operator's cab, that allows very slow movements of load hoist drums, boom hoist drum, and travel for precision work.

### Hydraulic Reservoir

42 gal (159.0L), equipped with sight level gauge. Diffusers built in for deaeration.

### Filtration

Ten micron, full flow, line filter in the control circuit. All oil is filtered prior to entering the reservoir.

### Counterbalance Valves

All hoist motors are equipped with counterbalance valves to provide positive load lowering and prevent accidental load drop if the hydraulic pressure is suddenly lost.

## Load Hoist Drums

Each drum contains a pilot controlled, bi-directional, axial piston motor and a planetary gear reduction unit to provide positive control under all load conditions.

- Power up/down & free-fall operation modes
- Automatic brake mode (spring applied, hydraulically released, band type brake)
- Grooved lagging
- Drum pawl controlled manually
- Electronic drum rotation indicators
- Mounted on anti-friction bearings
- 16.76 in (42.57cm) root diameter
- 33.80 in (85.85cm) flange diameter
- 22.62 in (57.45cm) width

The free-fall operation mode is designed to prevent load lowering even if the free-fall switch is accidentally activated.

The automatic brake mode meets all OSHA requirements for personnel handling.

### Drum Clutches

Hydraulic two shoe clutch design that uses a 20 in (50.80cm) diameter x 5 in (12.70cm) wide shoe that expands internally to provide load control. Swept area is 314.16 in<sup>2</sup> (2 026.83cm<sup>2</sup>).

## Optional Front-Mounted Third Hoist Drum

Mounts in the boom base section and is used in conjunction with a fleeting sheave and 3-sheave idler assembly to run the wire rope over the boom top section.

- Power up/down for luffer applications where a second load line is needed
- Controlled free spooling capability for pile driving applications
- 18.75 in (47.63cm) root diameter
- 27 in (68.58cm) flange diameter
- 24 in (60.96cm) width
- Mounted on anti-friction bearings

## Boom Hoist Drum

Contains a pilot controlled, bi-directional, axial piston motor and a planetary gear reduction unit to provide positive control under all load conditions.

- Spring applied, hydraulically released, disc type brake controlled automatically
- Grooved lagging
- Drum pawl controlled automatically
- Mounted on anti-friction bearings
- 14.99 in (38.07cm) root diameter
- 30.71 in (78.00cm) flange diameter
- 11.55 in (29.34cm) width

## Swing System

Pilot controlled bi-directional axial piston motors and planetary gear reduction units to provide positive control under all load conditions.

- Spring applied, hydraulically released, 360° multi-plate brake
- Free swing mode when lever is in neutral position
- Four position positive house lock
- Two-speed swing
- Audio/Visual swing alarm
- Maximum swing speed is 2.18 rpm

## Counterweight

Consists of a five-piece design that can be easily lowered to the ground using the hydraulic counterweight removal cylinders.

- “A” upper counterweight consists of one, 14,000 lb (6 350kg) base slab and two, 13,000 lb (5 897kg) wing weights.
- “B” upper counterweight consists of two, 13,000 lb (5 897kg) wing weights.
- “C” upper counterweight consists of two, 13,000 lb (5 897kg) wing weights.
- Two side frame counterweights – 24,000 lb (10 886kg) each.

Total combined counterweight, “ABC” plus side frames counterweights, is 140,000 lb (63 504kg).

## Operator Cab

Fully enclosed modular steel compartment is independently mounted and padded to protect against vibration and noise.

- All tinted/tempered safety glass
- Folding hinge entry door and sliding front glass window
- 19,000 BTU hot water heater
- 18,600 BTU air conditioner
- Door and window locks
- Circulating fan
- Sun visor
- Cloth seat
- Defroster
- Windshield wipers and washer
- Dry chemical fire extinguisher
- Engine instrumentation panel (voltmeter, engine oil pressure, engine water temperature, fuel level, hydraulic oil temperature, hour meter, and service monitor system)
- Electronic drum rotation indicators for front and rear hoist drums
- Six way adjustable seat
- Hand and foot throttle
- Fully adjustable single axis controls
- Swing lever with swing brake and horn located on handle
- Bubble type level
- Ergonomic gauge layout
- Controls shut off lever
- Right hand control stand is adjustable by electric motor for operator comfort.

## Rated Capacity Limiter System

The rated capacity limiter system is a boom hoist load cell system. This system provides the operator with useful geometrical data, to include:

- Main Boom Length
- Main Boom Angle
- Jib Length
- Jib Angle
- Operating Mode

- Load Radius
- Boom Tip Height
- Audible Alarm
- Pre-Warning Light
- Overload Light
- Load On Hook
- Function kick-outs including over load
- Operator settable stops (ramped stops)
- Anti-Two Block Indicator
- Boom hoist dead end load cell (no lineriders)

## Boom Hoist System

Designed to lift off maximum boom or maximum boom plus jib and maximum luffing attachment unassisted. Operates up to a maximum boom angle of 80°. Boom hoist limit system limits maximum boom angle operation.

- Pin-on bail frame
- 10-part reeving with 7/8 in (22mm) wire rope
- Bridle assembly
- 26 ft (7.92m) live mast
- Tube boom backstops (telescopic type)
- Sheaves contain sealed anti-friction bearings
- Boom speed from 10° – 70° is 90 seconds with no load. Speed was determined using 100 ft (30.48m) of tube boom.

## Machinery Cab

Hinged doors (one on right side, two on left side) for machinery access. Equipped with rooftop access ladder and skid resistant finish on roof.

## Catwalks

Standard on right and left sides. Catwalks are removable for reduced travel width.

# Lower Structure

## Carbody

### Lower Frame

All welded high strength steel box construction frame with precision machined surfaces for turntable bearing and rotating joint.

- 17 ft (5.18m) overall width
- 11 ft 9.75 in (3.60m) overall length

## Side Frames

### Side Frames

All welded, precision machined and removable. Carbody cross axles positioned by dowels and held in place with adjustable wedge packs.

- 15 ft 6 in (4.72m) gauge
- 25 ft 0.75 in (7.64m) overall length
- 44 in (1.12m) wide track shoes
- Sealed (oil filled) drive planetaries
- Compact travel drives
- Slide rails on top of each side frame

### Track Rollers

- Eleven sealed (oil filled) track rollers per side frame
- Heat treated, mounted on oil filled anti-friction bearings

### Tracks

Heat treated, self-cleaning, multiple hinged track shoes joined by one-piece full floating pins; 44 shoes per side frame

### Take Up Idlers

Cast steel, heat treated, self-cleaning, mounted on aluminum/bronze bushings. Lubricated through idler shaft.

- **Track Tension Adjustment** – Idler wheel adjusted by means of hydraulic cylinder and hand pump. Idler wheel shaft held in position with shims after adjustment is made.

## Travel and Steering

### Travel and Steering

Each side frame contains a pilot controlled, bi-directional, axial piston motor and a planetary gear reduction unit to provide positive control under all load conditions.

- Individual control provides smooth, precise maneuverability including full counter-rotation.
- Spring applied, hydraulically released disc type brake controlled automatically
- Maximum travel speed is 0.78 mph (1.25km/h).
- Designed to 30% gradeability

## Jack System

System contains four hydraulic cylinders individually pinned on the carbody.

- Standard; four ground controlled, power hydraulic jacks, pinned to the lower carbody frame, used to raise the crane to facilitate removal and installation of the crawler side frames.
- Individual controls are mounted on carbody.
- Minimum height of carbody when resting on pontoons is 21.50 in (0.55m).
- Maximum height of carbody when resting on pontoons is 37.50 in (0.95m).

# Attachment and Options

## Conventional Tube Boom 50–260 ft (15.24–79.25m)

### Basic Boom

50 ft (15.24m) two-piece design that utilizes a 20 ft (6.10m) base section and a 30 ft (9.14m) open throat top section with in-line connecting pins on 70 in (1.78m) wide and 62 in (1.57m) deep centers.

- Boom foot on 55 in (1.40m) centers
- 4 in (10.16cm) diameter chords
- Lugs on base section to attach carrying links
- Skywalk platform
- Deflector roller on top section
- Permanent skid pads mounted on top section to protect head machinery

- Six, 20.50 in, (52.07cm) root diameter steel sheaves mounted on sealed anti-friction bearings
- Tip extension and jib connecting lugs on top section
- Mechanical boom angle indicator

### Tube Boom Extensions

The following table provides the lengths available and the suggested quantity to obtain maximum boom in 10 ft (3.05m) increments. Midpoint pendant connections are required at 110 ft (33.5m) for boom lengths of 250 ft (76.2m) and 260 ft (79.2m).

- Polyamide wear blocks on top of each extension
- Appropriate length wire rope pendants stored on extension

Tube Boom Extensions		Quantity For Max Boom
ft	m	
10	3.05	2*
20	6.10	2
30	9.14	1
40	12.19	3

\* Assumes one 10 ft (3.05m) extension is the self-assembly section.

- Maximum tip height of 262 ft 11 in (80.14m)
- Boom connecting pins storage on each extension

## Tube Jib

30–75 ft (9.14–22.86m)

### Basic Tube Jib

30 ft (9.14m) two–piece design that utilizes a 15 ft (4.57m) base section and a 15 ft (4.57m) top section with in–line connecting pins on 32 in (0.81m) wide and 24 in (0.61m) deep centers.

- 2 in (50.8mm) diameter chords
- One 18.50 in (0.47m) root diameter steel sheave mounted on sealed anti–friction bearings
- 15 ft (4.57m) jib extensions provide jib lengths of 45 ft (13.72m), 60 ft (18.29m), and 75 ft (22.86m) for tube boom.
- Jib offset angles at 5°, 15°, and 25°
- The maximum tip height of tube boom + jib [230 ft + 75 ft (70.10 + 22.86m)] is 308 ft (93.88m).
- Can be used as fixed jib on luffing jib

## Luffing Boom

85–165 ft (25.91–50.29m)

- Common base and extensions as open throat boom (“FD” boom only)
- 10 ft (3.05m) luffing extension required for bail anchor
- Working angles of 90°, 85°, 80°, 75°, 70°, and 65°
- Working lengths of 85 ft (25.91m) to 165 ft (50.29m)

### Luffing Boom Extensions

The following table provides the lengths available and the suggested quantity to obtain the maximum luffing boom in 10 ft (3.05m) increments. Midpoint pendants are not required.

Luffing Boom Extensions		Quantity For Max Boom
ft	m	
10*	3.05	1
20	6.10	1
30	9.14	1
40	12.19	2

\* 10 ft (3.05m) extension is the self–assembly section. Required for luffer operation.

Note: “FD” type boom must be used.

- Rear hoist drum becomes luffing jib hoist
- Optional third drum provides second working hoist line, if required.
- Designed for self–assembly
- Luffing jib hoist bridle and bail can remain reeved for crane transport
- Job site mobility with attachment
- Rolled out or rolled under erection methods
- Compact transport module

## Auxiliary Tip Extension

Designed to use in place of jib to provide clearance between working hoist lines. The extension is equipped with two nylon 18 in (45.72cm) root diameter sheaves mounted on sealed anti–friction bearings. Maximum capacity is 18.5 Ton (16.78mt).

## Luffing Jib

80–160 ft (24.38–48.77m)

### Basic Luffing Jib

80 ft (24.38m) five–piece design utilizes a 5 ft (1.52m) luffing boom top section, 20 ft (6.10m) luffing jib base section, 10 ft (3.05m) jib extension, 30 ft (6.10m) extension, and 20 ft (6.10m) top section with in–line connecting pins. Jib extensions are 44 in (1.12m) wide and 54 in (1.37m) deep at the centers.

- 27 Ton (24.50mt) maximum capacity
- Working lengths of 80 ft (24.38m) to 160 ft (48.77m)
- Top section includes mounting lugs for all attachment options
- Lugs on base section to attach fan–post transport links
- Two steel 18 in (45.72cm) diameter luffing jib head sheaves
- Two polyamide 21.25 in (53.98cm) diameter luffing boom auxiliary head sheaves
- Pin–on nose wheel
- Eight–part luffing jib hoist
- 1.25 in (31.75mm) diameter type “N” pendants

## Luffing Jib Extensions

The following table provides the lengths available and the suggested quantity to obtain the maximum luffing jib in 10 ft (3.05m) increments. Midpoint pendants are not required.

Luffing Jib Extensions		Quantity For Max Luffing Jib
ft	m	
20	6.10	1
30	9.14	2

### Notes:

These extensions, combined with extensions included in basic luffing jib, make up all jib lengths to 160 ft (48.77m).

40 ft (12.19m) of extensions included in basic jib. Extensions and pendants common with the LS–138H, LS–138H II, 138 HYLAB 5, LS–208H, and LS–208H II.

- Deflector roller on top of each extension
- Appropriate length pendants
- Maximum luffing jib tip height of 326 ft (99.36m)

## Fixed Jib

30 ft (9.14m)

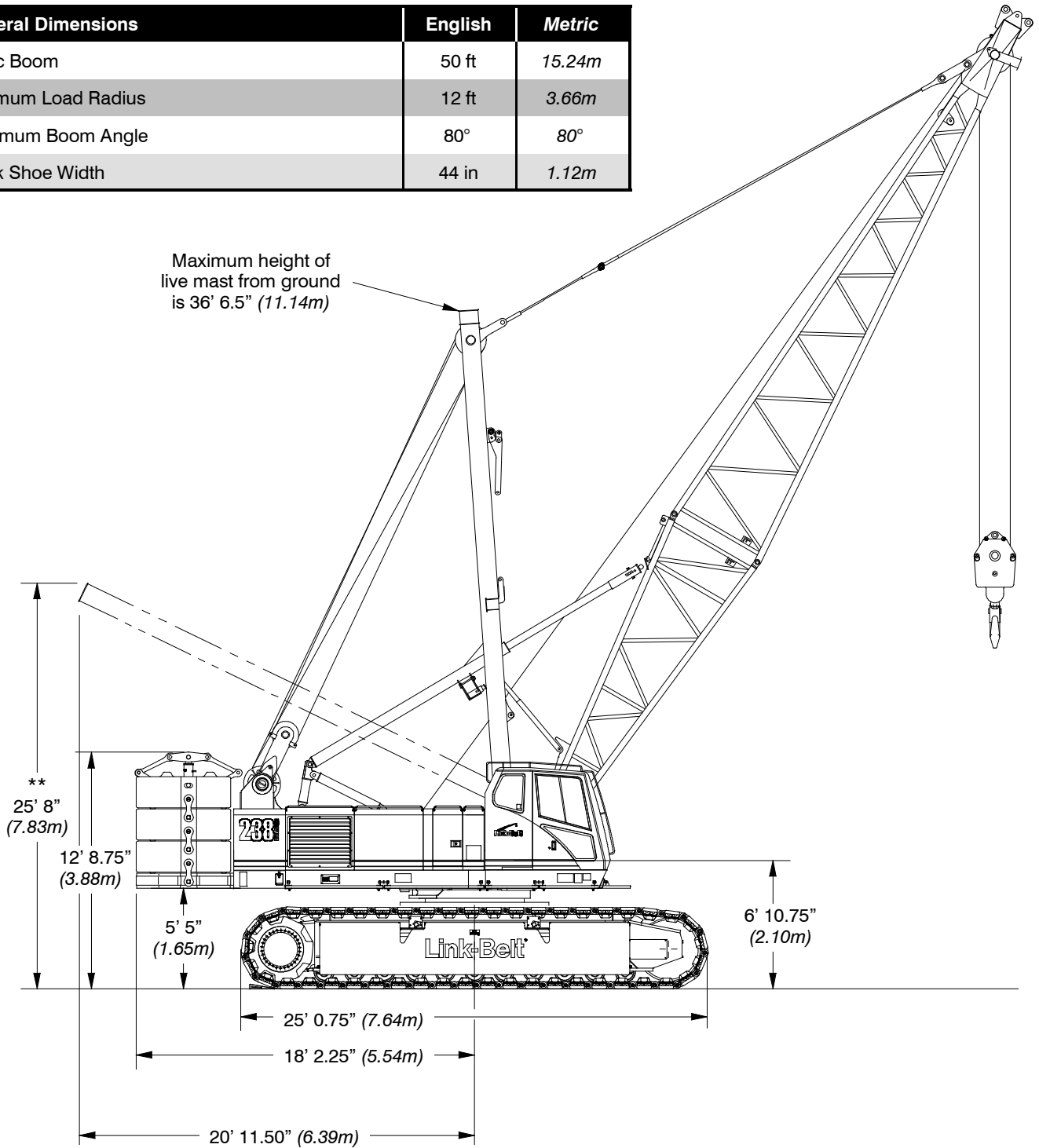
30 ft (9.14m) two–piece design that utilizes a 15 ft (4.57m) base section and a 15 ft (4.57m) top section with in–line connecting pins on 32 in (0.81m) wide and 24 in (0.61m) deep centers.

- 2 in (50.8mm) diameter chords
- One 18.50 in (0.47m) root diameter steel sheave mounted on sealed anti–friction bearings
- Fixed jib offset angle is 5°

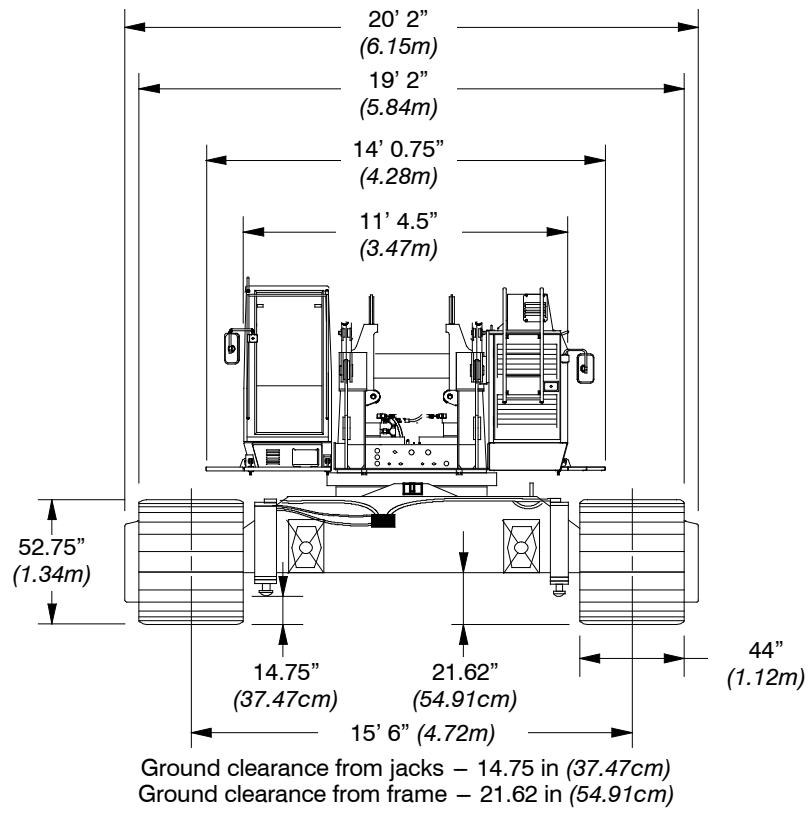
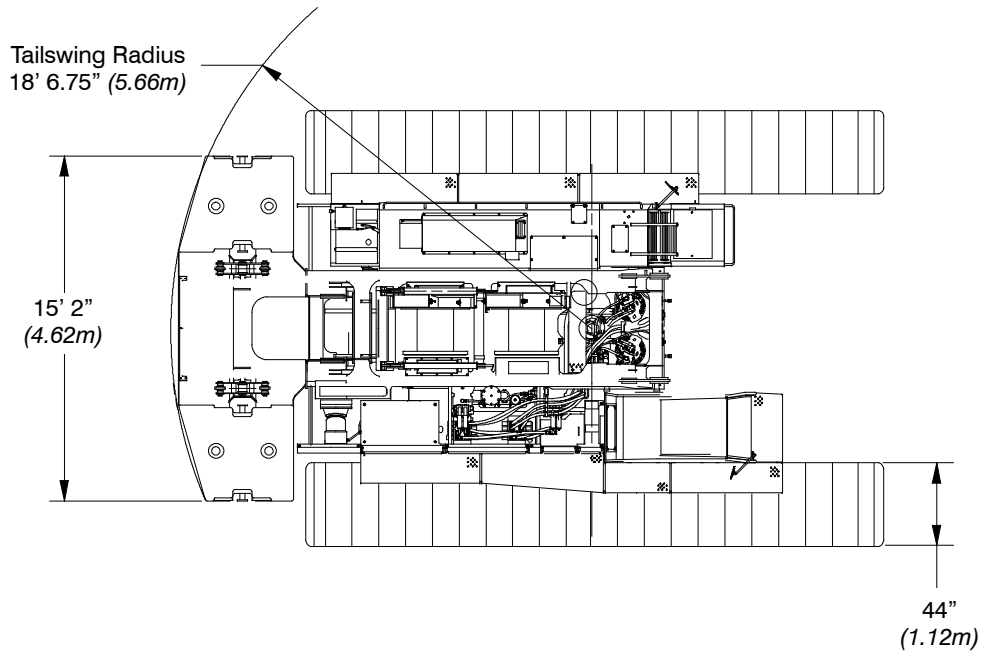


# Dimensions

General Dimensions	English	Metric
Basic Boom	50 ft	15.24m
Minimum Load Radius	12 ft	3.66m
Maximum Boom Angle	80°	80°
Track Shoe Width	44 in	1.12m



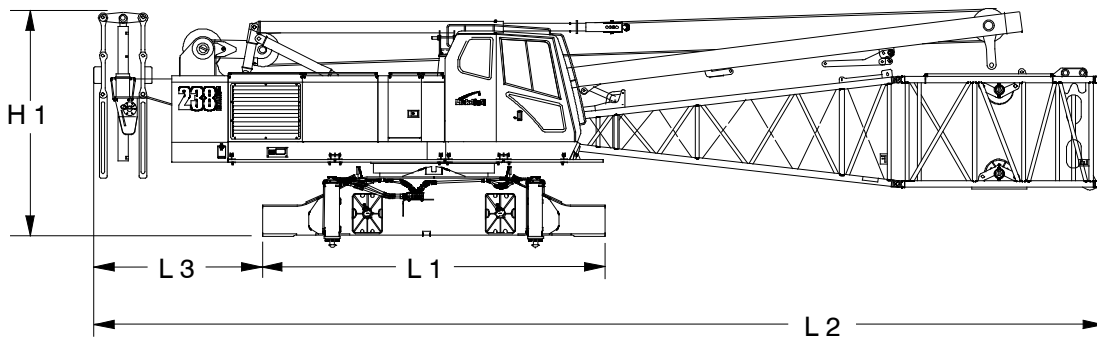
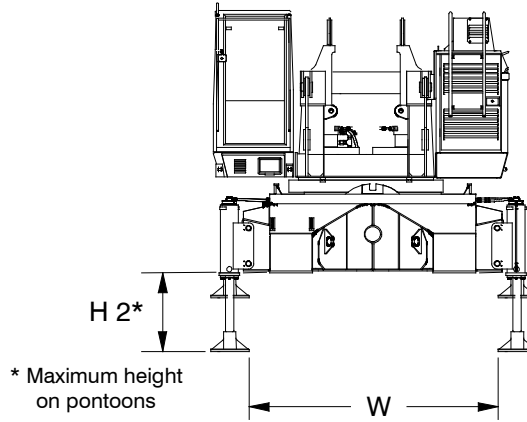
Note: \*\* @ Maximum boom angle (80°) with maximum boom [260 ft (79.25m)], maximum rotation radius occurs.



# Base Crane

## Base Crane 1

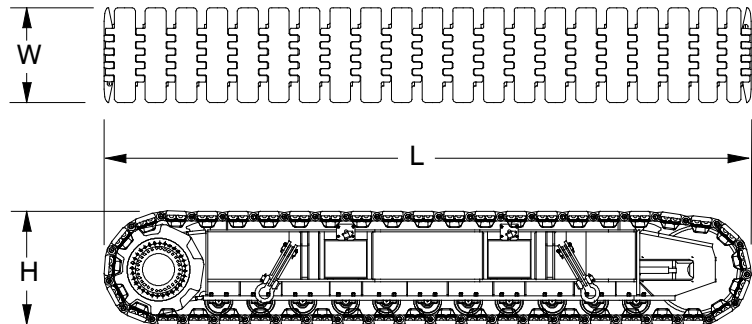
Length 1	16 ft 11.50 in	(5.17m)
Length 2	49 ft 11.25 in	(15.22m)
Length 3	8 ft 4 in	(2.54m)
Width	9 ft 1.50 in	(2.78m)
Height 1	11 ft 3 in	(3.43m)
Height 2	37.50 in	(0.95m)
Weight	71,097 lb	(32 250kg)



# Side Frames

## Side Frames 2

Length	25 ft 0.75 in	(7.64m)
Width	44 in	(1.12m)
Height	52.75 in	(1.34m)
Weight	34,649 lb	(15 717kg)

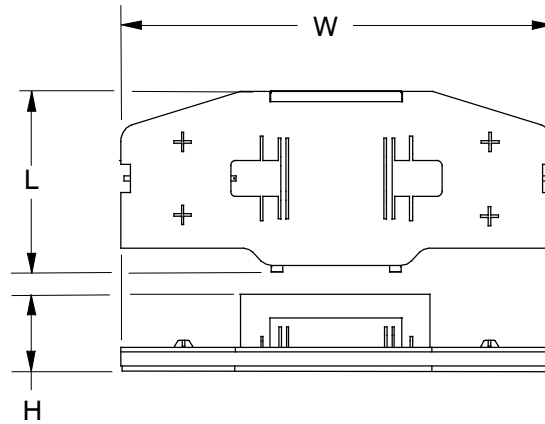


Number inside black circle 1 = # of components

# Upper Counterweights

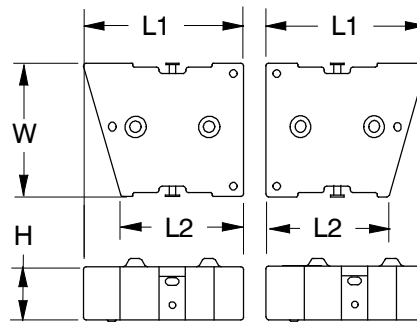
## “A” Slab Counterweight ①

Length	5 ft 9.50 in	(1.77m)
Width	15 ft 2 in	(4.62m)
Height	32.25 in	(0.82m)
Weight	14,000 lb	(6 350kg)



## “A”, “B”, and “C” Wing Counterweights ⑥

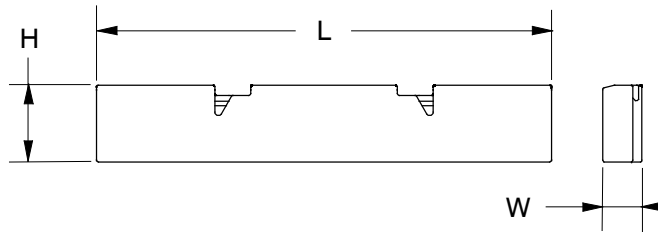
Length 1	61 in	(1.55m)
Length 2	46.50 in	(1.18m)
Width	50.75 in	(1.29m)
Height	20.25 in	(51.44cm)
Weight	13,000 lb	(5 897kg)



# Lower Counterweights

## Side Frame Counterweights ②

Length	16 ft 8 in	(5.08m)
Width	17.50 in	(0.44m)
Height	33.75 in	(0.86m)
Weight	24,000 lb	(10 886kg)



Number inside black circle “①” = # of components

# Boom/Luffing Boom

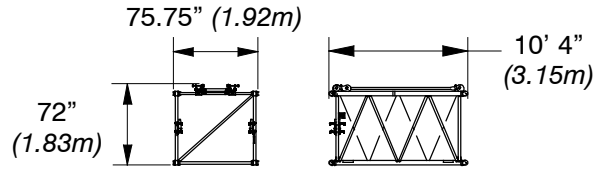
**70 in (1.78m) x 62 in (1.57m)**

## Boom/Luffing Boom Extensions

*Weights Include Pendants and Hardware*

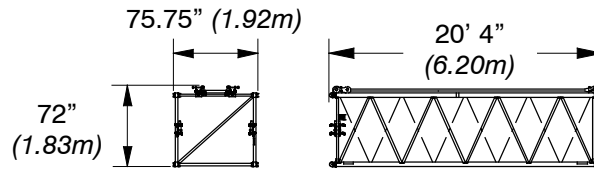
**10 ft (3.05m) Extension**

Weight: 1,056 lb (479kg)



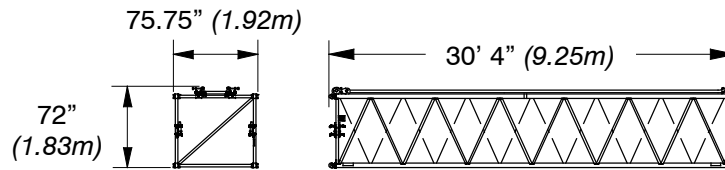
**20 ft (6.10m) Extension**

Weight: 1,778 lb (807kg)



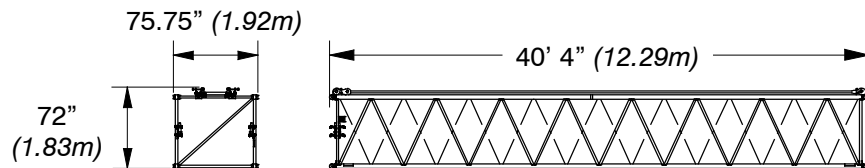
**30 ft (9.14m) Extension**

Weight: 2,482 lb (1 126kg)



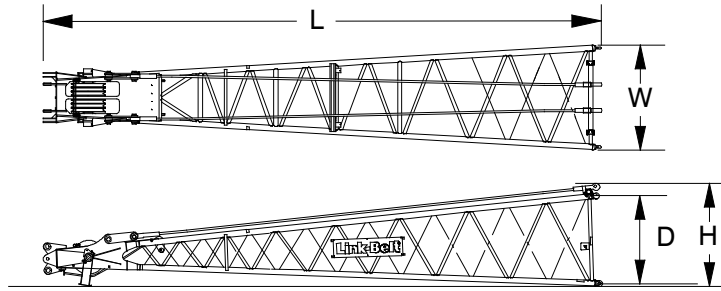
**40 ft (12.19m) Extension**

Weight: 3,177 lb (1 441kg)



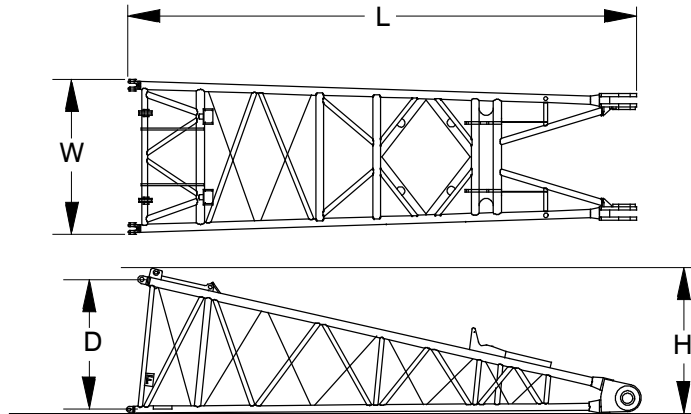
### 30 ft (9.14m) Boom Top Section ①

Length	32 ft 10 in	(10.01m)
Width	75.75 in	(1.92m)
Deep	62 in	(1.57m)
Height	75 in	(1.91m)
Weight	4,148 lb	(1 882kg)



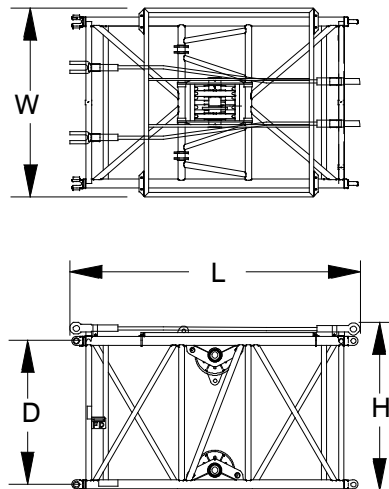
### 20 ft (6.10m) Boom Base Section ①

Length	20 ft 8 in	(6.30m)
Width	75.75 in	(1.92m)
Deep	62 in	(1.57m)
Height	69 in	(1.75m)
Weight	3,350 lb	(1 520kg)



### 10 ft (3.05m) Self Assembly Section\* ①

Length	10 ft 4 in	(3.15m)
Width	81.50	(2.07m)
Deep	70.00	(1.78m)
Height	73.25	(1.86m)
Weight	2,717 lb	(828kg)

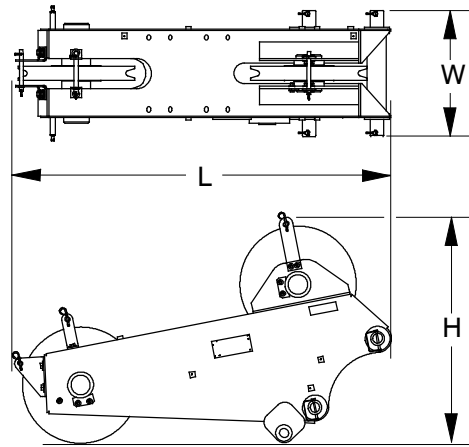


Number inside black circle “①” = # of components

\* – Optional equipment

**Auxiliary Tip Extension\* ①**

Length	70.35 in	(1.79m)
Width	24.50 in	(0.62m)
Height	42.91 in	(1.09m)
Weight	671 lb	(304kg)

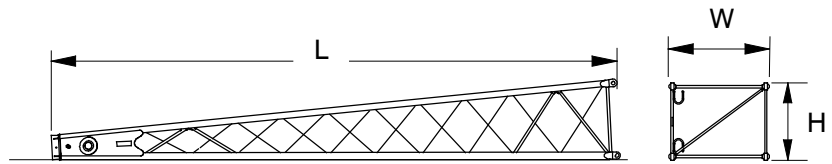


**Jib**

**15 ft (4.57m) Jib Top Section\* ①**

Length	16 ft 1.50 in	(4.91m)
Width	34.50 in	(0.88m)
Height	26.50 in	(0.67m)
Weight†	604 lb	(274kg)

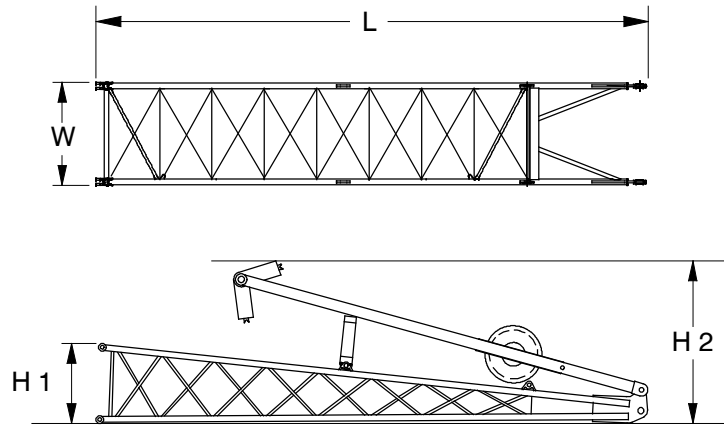
† Weight includes pendants and hardware.



**15 ft (4.57m) Jib Base Section\* ①**

Length	15 ft 3.50 in	(4.66m)
Width	34.50 in	(0.88m)
Height 1	26.50 in	(0.67m)
Height 2	54.50 in	(1.38m)
Weight†	1,106 lb	(502kg)

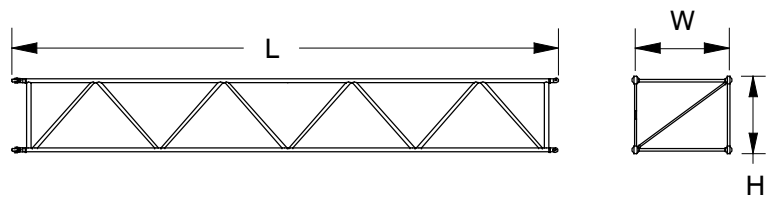
† Weight includes pins, basic frontstay & backstay pendants, and hardware.



**15 ft (4.57m) Jib Extension\* ①**

Length	15 ft 2.50 in	(4.64m)
Width	34.50 in	(0.88m)
Height	26.50 in	(0.67m)
Weight†	330 lb	(150kg)

† Weights includes pins, pendants, and hardware.



Number inside black circle “①” = # of components

\* – Optional equipment

# Luffing Jib

## 20 ft (6.10m) Luffing Jib Base Section\* ①

Length	ft in	(m)
Width	58.75 in	(1.49m)
Height	48 in	(1.22m)
Weight†	lb	(kg)

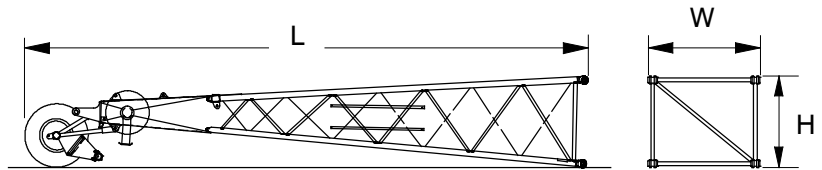
† Weight includes pendants and hardware.

**Need Illustration & Specs**

## 20 ft (6.10m) Luffing Jib Top Section\* ①

Length	24 ft 8.25 in	(7.52m)
Width	58.75 in	(1.49m)
Height	48 in	(1.22m)
Weight†	2,800 lb	(1 270kg)

† Weight includes pendants and hardware.

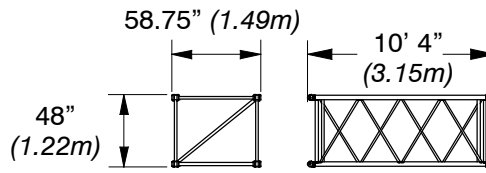


## Luffing Jib Extensions\*

Weights Include Pendants and Hardware

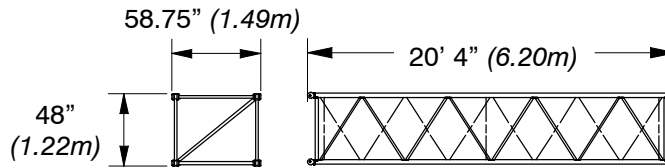
### 10 ft (3.05m) Extension

Weight: 550 lb (249kg)



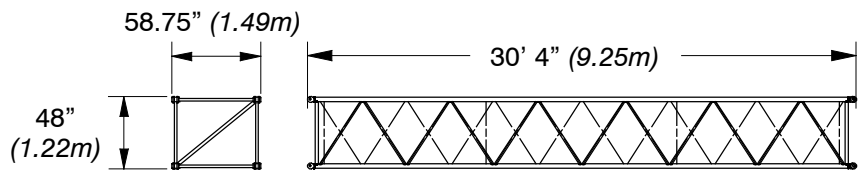
### 20 ft (6.10m) Extension

Weight: 1,100 lb (499kg)



### 30 ft (9.14m) Extension

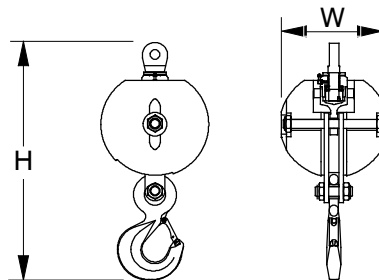
Weight: 1,650 lb (748kg)



# Hook Balls

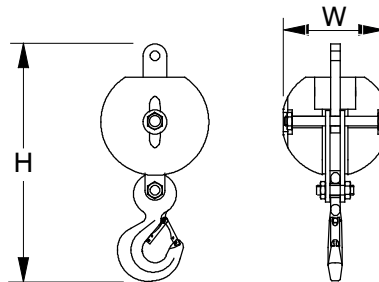
## 15 Ton (13.6mt) Swivel Hook Ball\* ①

Width	17.50 in	(0.44m)
Height	40.50 in	(1.03m)
Weight	767 lb	(348kg)



## 15 Ton (13.6mt) Non-Swivel Hook Ball\* ①

Width	18 in	(0.46m)
Height	39.50 in	(1.00m)
Weight	748 lb	(339kg)



Number inside black circle “①” = # of components

\* – Optional equipment



# Hook Blocks

## 25 Ton (22.7mt)

### 2–Sheave Hook Block\* ①

Width1	12.50 in	(0.32m)
Width2	22.75 in	(0.58m)
Width3	11.00 in	(0.28m)
Height	40.50 in	(1.03m)
Weight	466 lb	(211kg)

## 40 Ton (36.3mt)

### 2–Sheave Hook Block\* ①

Width1	17.25 in	(0.44m)
Width2	24.75 in	(0.63m)
Width3	15.00 in	(0.38m)
Height	51.50 in	(1.31m)
Weight	1,395 lb	(633kg)

## 60 Ton (54.4mt)

### 2–Sheave Hook Block\* ①

Width1	16.25 in	(0.41m)
Width2	22.00 in	(0.56m)
Width3	19.50 in	(0.50m)
Height	57.00 in	(1.45m)
Weight	1,400 lb	(635kg)

## 125 Ton (113.4mt)

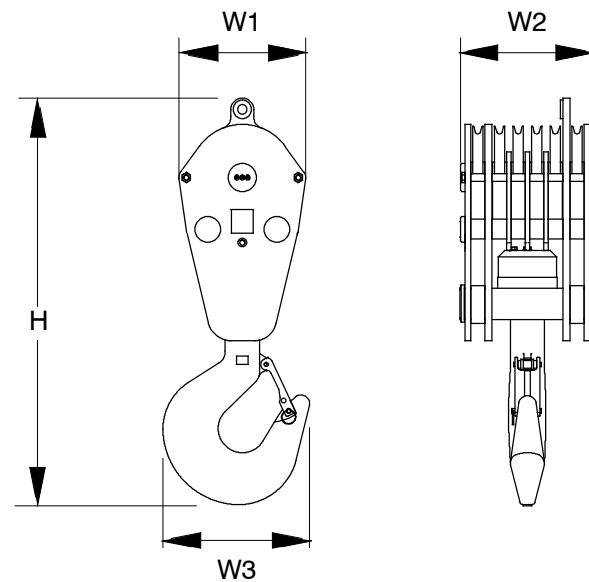
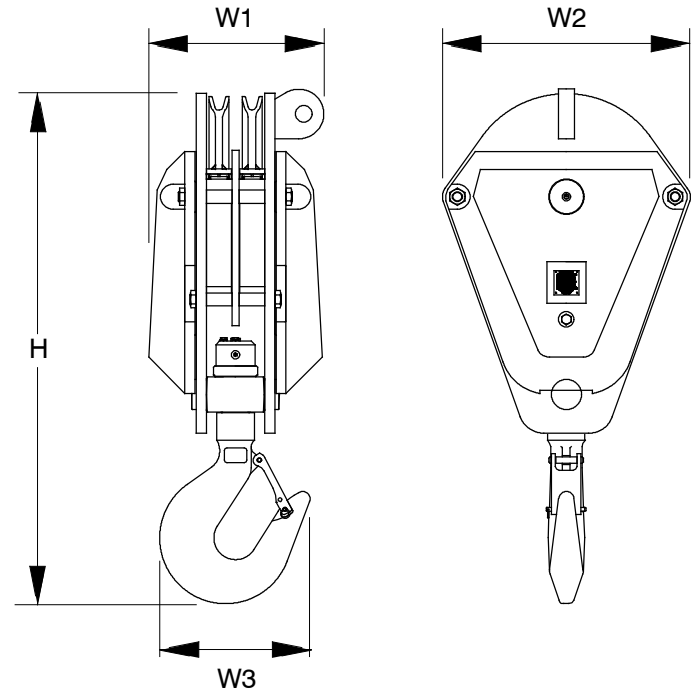
### 6–Sheave Hook Block\* ①

Width1	22.50 in	(0.57m)
Width2	23.50 in	(0.60m)
Width3	26.00 in	(0.66m)
Height	72.00 in	(1.83m)
Weight	2,580 lb	(1 170kg)

## 140 Ton (127.0mt)

### 6–Sheave Hook Block\* ①

Width1	22.25 in	(0.57m)
Width2	23.25 in	(0.59m)
Width3	26.00 in	(0.66m)
Height	72.25 in	(1.83m)
Weight	2,340 lb	(1 061kg)



Number inside black circle “①” = # of components

\* – Optional equipment

# Working Weights

Based on basic crane including <b>Mitsubishi 6D24–TLA2L</b> diesel engine, turntable bearing, independent hydraulic powered drums, boom hoist limiting device, independent hydraulic swing and travel, counterweight, swing brake, drum rotation indicators, and crawler lower with 44 in (1.12m) wide track shoes, sealed track rollers, catwalks, hydraulic boom foot pin removal, plus the following:	<b>Ctwt "A"</b>	<b>Ctwt "AB"</b>	<b>Ctwt "ABC" + "A" Lower Ctwt</b>	
	lb (kg)	lb (kg)	lb (kg)	
Lifting crane – includes 50 ft (15.24m) basic tubular boom, 26 ft (7.92m) live mast, 950 ft (289.56m) of 7/8 in (22mm) diameter wire rope, 500 ft (152.40m) of 7/8 in (22mm) diameter boom hoist rope, 125 Ton (113.4mt) hook block, and basic pendants.	187,717 (85 148)	213,717 (96 942)	287,717 (130 508)	
Ground Bearing Pressure	psi	7.81	8.91	12.05
	kg/cm <sup>2</sup>	0.55	0.63	0.85

# Transport Weights

Base Crane: Rigid boom backstops, 77 gal (291L) of fuel, catwalks (both sides), 26 ft (7.92m) live mast, bail, boom hoist rope, boom base section, 10 ft (3.05m) self-assembly section, 950 ft (289.56m) of type "DB" front hoist rope, and 600 ft (182.88m) of type "RB" rear hoist rope.

Item Description	Gross Weight		Transport Loads						
	lb	(kg)	#1	#2	#3	#4	#5	#6	#7
Base Crane	71,097	32 250	1						
Add Side Frame with Wedge Packs – Two Required	34,649	15 717		1	1				
Add "A" Base Counterweight	14,000	6 350				1			
Add "A" Wing Counterweight – Two Required	13,000	5 897						1	1
Add "B" Wing Counterweight – Two Required	13,000	5 897						1	1
Add "C" Wing Counterweight – Two Required	13,000	5 897						1	1
Add "A" Lower Counterweight – Two Required	24,000	10 886				1	1		
Add Hydraulic Third Drum without Rope	2,000	907							
Add 30 ft (9.14m) Top Section	4,742	2 151							1
Add 10 ft (3.05m) Extension w/Pins and Pendants	1,056	479					1		
Add 20 ft (6.10m) Extension w/Pins and Pendants	1,778	807					1		
Add 30 ft (9.14m) Extension w/Pins and Pendants	2,482	1 126				1			
Add 40 ft (12.19m) Extension w/Pins and Pendants	3,177	1 441		1	1			1	
Add 30 ft (9.14m) Jib	1,710	775					1		
Add 15 ft (4.57m) Jib Extension w/Pins and Pendants	330	150					3		
Add Auxiliary Tip Extension	671	304							
Add 15 Ton (13.6mt) Hook Ball (Non-swivel)	748	339			1				
Add 15 Ton (13.6mt) Hook Ball (Swivel)	767	348							
Add 125 Ton (113.4mt) Six-sheave Hook Block	2,580	1 170		1					
Remove 10 ft (3.05m) Self-Assembly Section	-3,735	1 694							
Remove 20 ft (6.10m) Base Section	-3,350	1 520							
Remove Front Drum Wire Rope	-1,349	-612							
Remove Rear Drum Wire Rope	-900	-408							
Remove 50 gal (189L) of Fuel	-362	-164							
Approximate Total Shipping Weight	lb		71,097	41,155	39,325	40,482	29,495	42,177	43,742
	kg		32 250	18 668	17 838	18 362	13 379	19 131	19 841

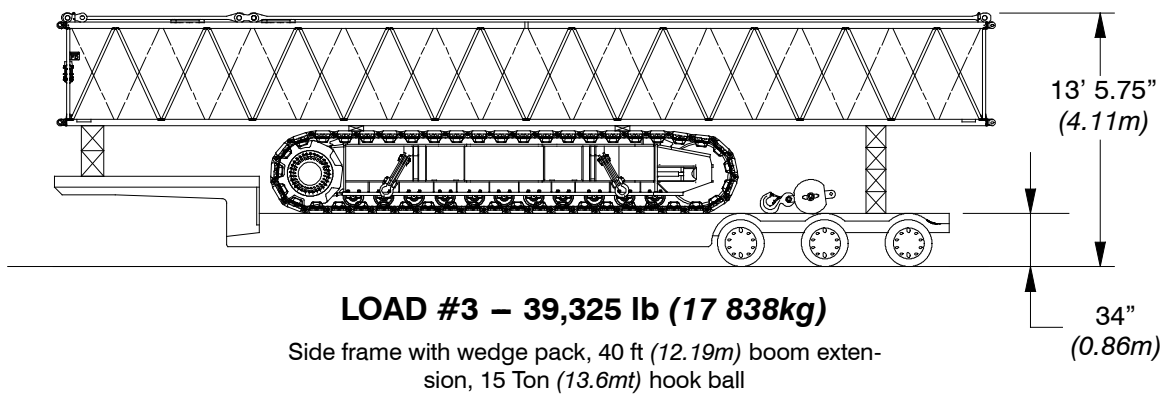
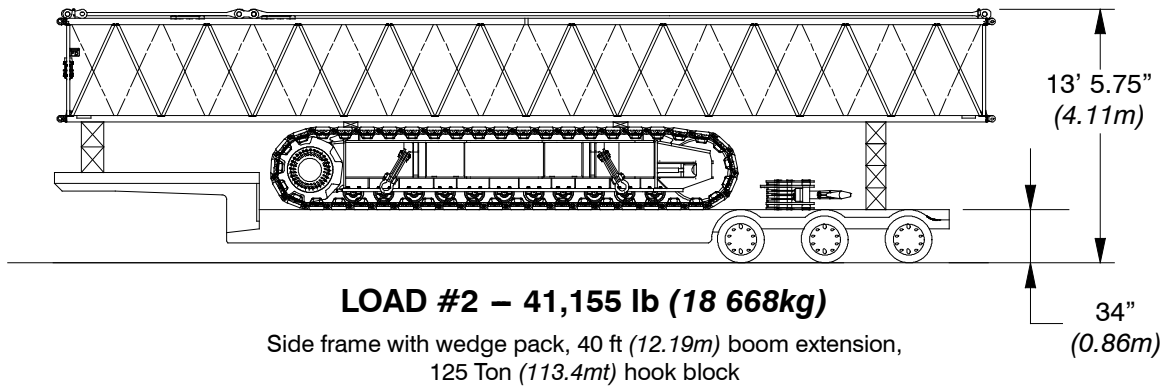
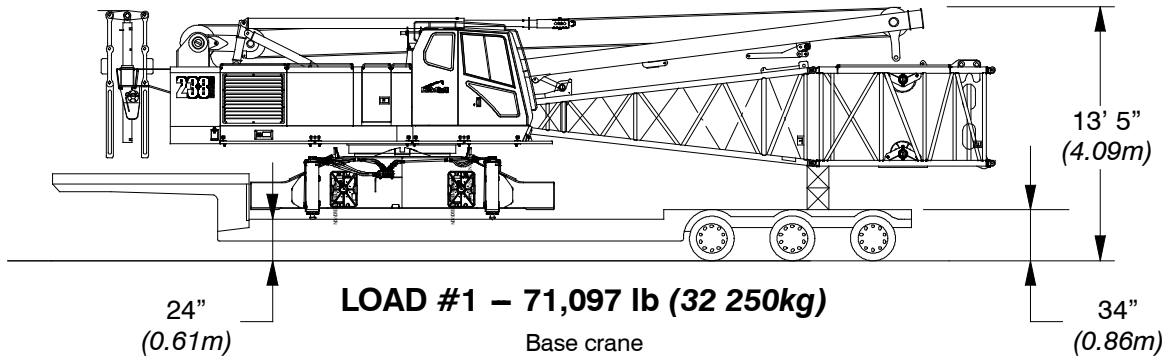
## Notes:

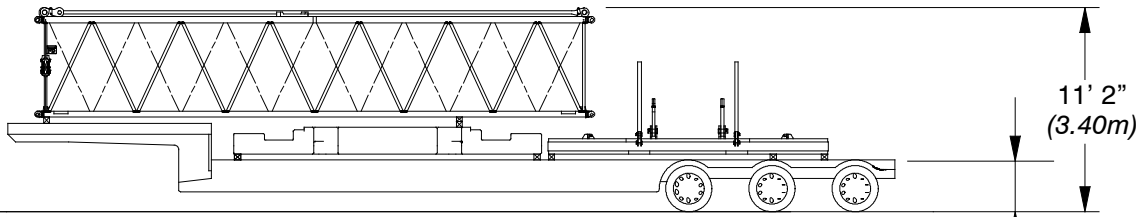
Estimated weights vary by +/- 2%. Numbers in the load columns (numbers 1 – 7) represent quantities.

Estimated transport loads assume the load out consist of 240 ft (73.15m) of boom and 75 ft (22.86m) of jib and full counterweight.

Support loads were targeted at 45,000 lb (20 412kg), 8.5 ft (2.59m) wide, and 48 ft (14.63m) long trailer. This may vary depending on state laws, empty truck/trailer weights, and style of trailer.

# Transport Drawings

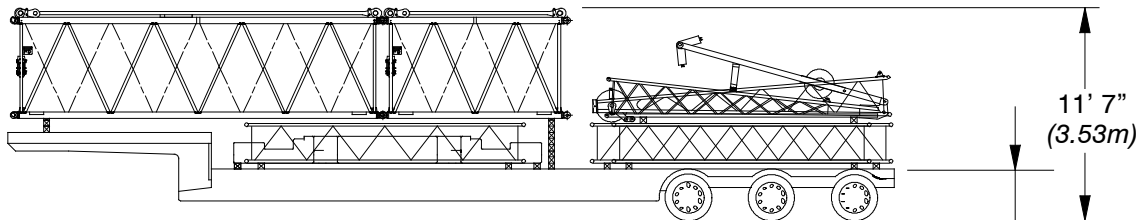




**LOAD #4 – 40,482 lb (18 362kg)**

“A” base counterweight, 1 of 2 lower counterweights, and 30 ft (9.14m) boom extension with pins and pendants

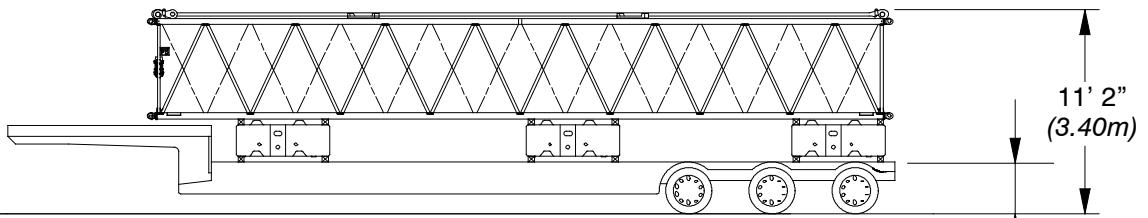
11' 2"  
(3.40m)  
34"  
(0.86m)



**LOAD #5 – 29,495 lb (13 379kg)**

Lower counterweight, 10 ft (3.05m) boom extension with pins and pendants, 20 ft (6.10m) boom extension with pins and pendants, 30 ft (4.57m) jib, and three 15 ft (4.57m) jib extensions

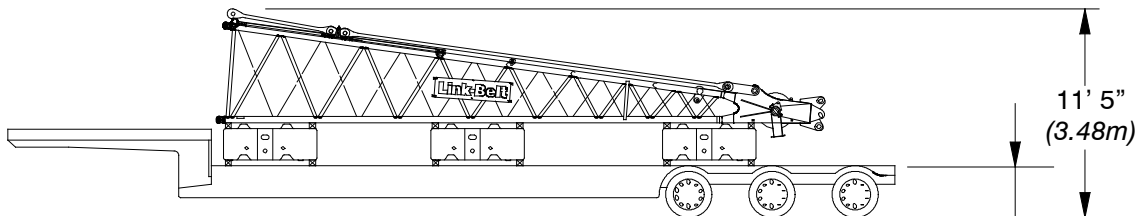
11' 7"  
(3.53m)  
34"  
(0.86m)



**LOAD #6 – 42,177 lb (19 131kg)**

“A” wing counterweight, “B” wing counterweight, “C” wing counterweight, and 40 ft (12.14m) boom extension with pins and pendants

11' 2"  
(3.40m)  
34"  
(0.86m)



**LOAD #7 – 43,742 lb (19 841kg)**

“A” wing counterweight, “B” wing counterweight, “C” wing counterweight, and 30 ft (9.14m) top section

11' 5"  
(3.48m)  
34"  
(0.86m)

# Load Hoist Performance

## Front Drum – 7/8 in (22mm) Wire Rope

Rope Layer	Maximum Line Pull		No Load Line Speed		Full Load Line Speed		Pitch Diameter		Layer		Total	
	lb	kg	ft/min	m/min	ft/min	m/min	in	mm	ft	m	ft	m
1	40,036	18 160	277	84.4	126	38.4	17.6	447	111	33.8	111	33.8
2	36,396	16 509	305	93.0	139	42.4	19.4	493	121	36.9	232	70.7
3	33,363	15 133	332	101.2	151	46.0	21.2	538	131	39.9	363	110.6
4	30,797	13 970	360	109.7	164	50.0	22.9	582	141	43.0	503	153.3
5	28,597	12 972	388	118.3	177	53.9	24.7	627	151	46.0	654	199.3
6	26,690	12 107	416	126.8	189	57.6	26.5	673	161	49.1	815	248.4
7	25,022	11 350	443	135.0	202	61.6	28.2	716	171	52.1	986	300.5
8	---	---	---	---	---	---	29.9	759	181	55.2	1,167	355.7

## Rear Drum – 7/8 in (22mm) Wire Rope

Rope Layer	Maximum Line Pull		No Load Line Speed		Full Load Line Speed		Pitch Diameter		Layer		Total	
	lb	kg	ft/min	m/min	ft/min	m/min	in	mm	ft	m	ft	m
1	24,709	11 208	449	136.9	183	55.8	17.6	447	111	33.8	111	33.8
2	22,463	10 189	494	150.6	202	61.6	19.4	493	121	36.9	232	70.7
3	20,591	9 340	539	164.3	220	67.1	21.2	538	131	39.9	363	110.6
4	19,007	8 622	584	178.0	238	72.5	22.9	582	141	43.0	503	153.3
5	17,649	8 006	628	191.4	257	78.3	24.7	627	151	46.0	654	199.3
6	16,473	7 472	673	205.1	275	83.8	26.5	673	161	49.1	815	248.4
7	15,443	7 005	718	218.8	293	89.3	28.2	716	171	52.1	986	300.5
8	---	---	---	---	---	---	29.9	760	181	55.2	1,167	355.7

## Boom Hoist Drum – 7/8 in (22mm) Wire Rope

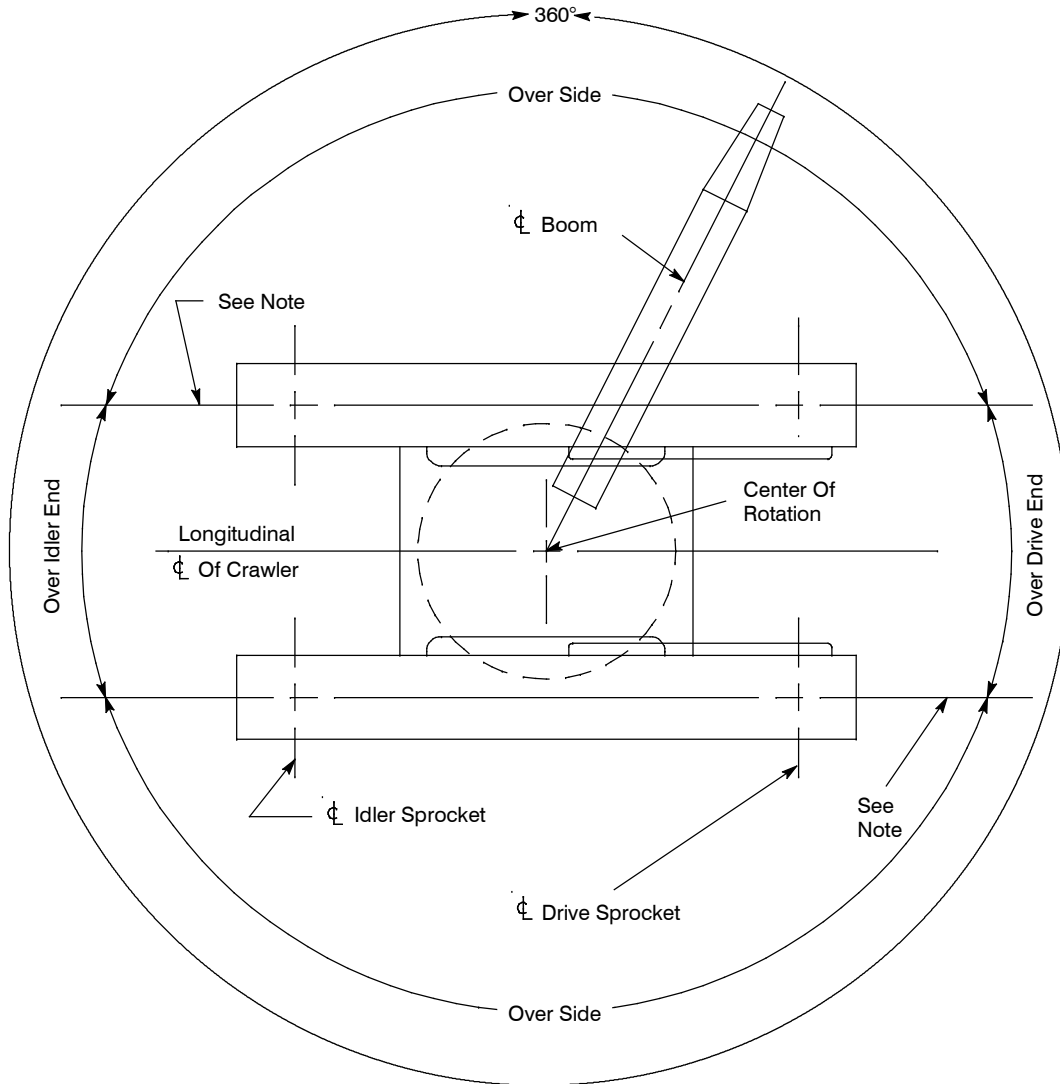
Rope Layer	Maximum Line Pull		No Load Line Speed		Full Load Line Speed		Pitch Diameter		Layer		Total	
	lb	kg	ft/min	m/min	ft/min	m/min	in	mm	ft	m	ft	m
1	38,496	17 462	132	40.2	116	35.4	15.9	404	50	15.2	50	15.2
2	34,647	15 716	146	44.5	129	39.3	17.6	447	55	16.8	105	32.0
3	31,497	14 287	161	49.1	142	43.3	19.4	493	60	18.3	165	50.3
4	28,872	13 096	176	53.6	155	47.2	21.2	538	65	19.8	229	69.8
5	26,651	12 089	190	57.9	168	51.2	22.9	582	70	21.3	299	91.1
6	24,748	11 226	205	62.5	181	55.2	24.7	627	75	22.9	374	114.0
7	23,098	10 477	220	67.1	194	59.1	26.5	673	80	24.4	454	138.4

## Third Drum – 7/8 in (22mm) Wire Rope

Rope Layer	Maximum Line Pull		No Load Line Speed		Full Load Line Speed		Pitch Diameter		Layer		Total	
	lb	kg	ft/min	m/min	ft/min	m/min	in	mm	ft	m	ft	m
1	20,555	9 324	272	82.9	242	73.8	20.5	521	134	40.8	134	40.8
2	18,933	8 588	295	89.9	263	80.2	22.2	564	145	44.2	279	85.0
3	17,552	7 962	318	96.9	284	86.6	24.0	610	156	47.5	435	132.6
4	16,359	7 420	341	103.9	304	92.7	25.7	653	168	51.2	603	183.8
5	15,318	6 948	365	111.3	325	99.1	27.5	699	179	54.6	782	238.4

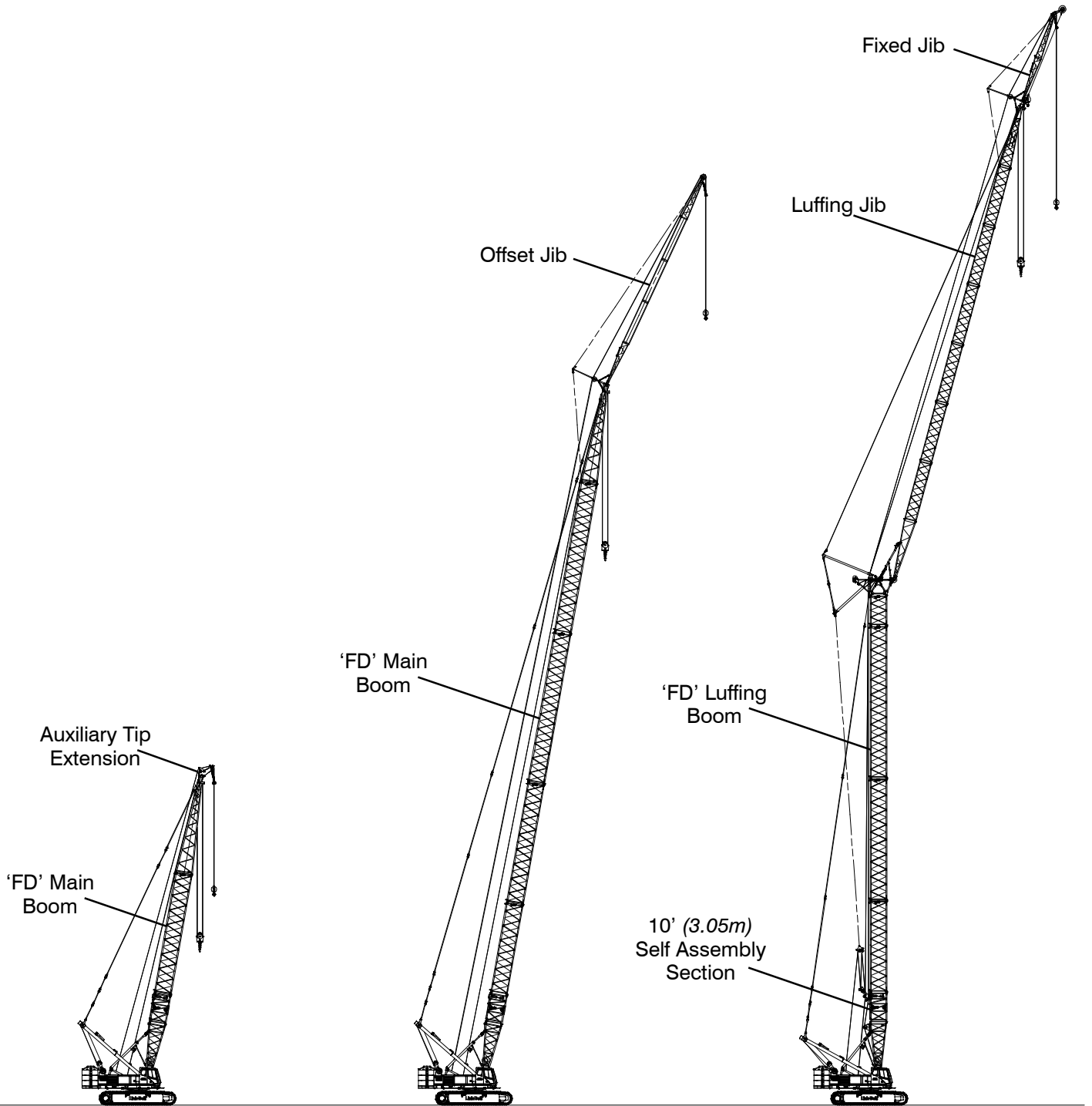
Wire Rope Application	Diameter		Type	Max. Permissible Load		Wire Rope Descriptions
	in	mm		lb	kg	
Boom Hoist	7/8	22	FC	28,900	13 109	6 Strand, Compacted Strand, Swaged, Preformed, I.W.R.C., Right Lay, Regular Lay
Front Hoist	7/8	22	DB	22,700	10 297	6 X 26 (6 X 19 Class), Warrington Seale, E.I.P.S., Preformed, Right Regular Lay, I.W.R.C.
Third Drum (Optional)	7/8	22	RB	17,520	7 947	19 X 19 Rotation Resistant Compacted Strand – High Strength – Preformed, Right Regular Lay
Rear Drum	7/8	22	RB	17,520	7 947	19 X 19 Rotation Resistant Compacted Strand – High Strength – Preformed, Right Regular Lay

# Working Areas



**Note:** These Lines Determine The Limiting Position Of Any Load For Operation Within Working Areas Indicated.

# Attachments



**50–260 ft (15.24–79.25m)  
Main Boom With Auxiliary  
Tip Extension**

**50–230 ft (15.24–70.10m)  
Main Boom With 30–75 ft  
(9.14–22.86m) Offset Jib**

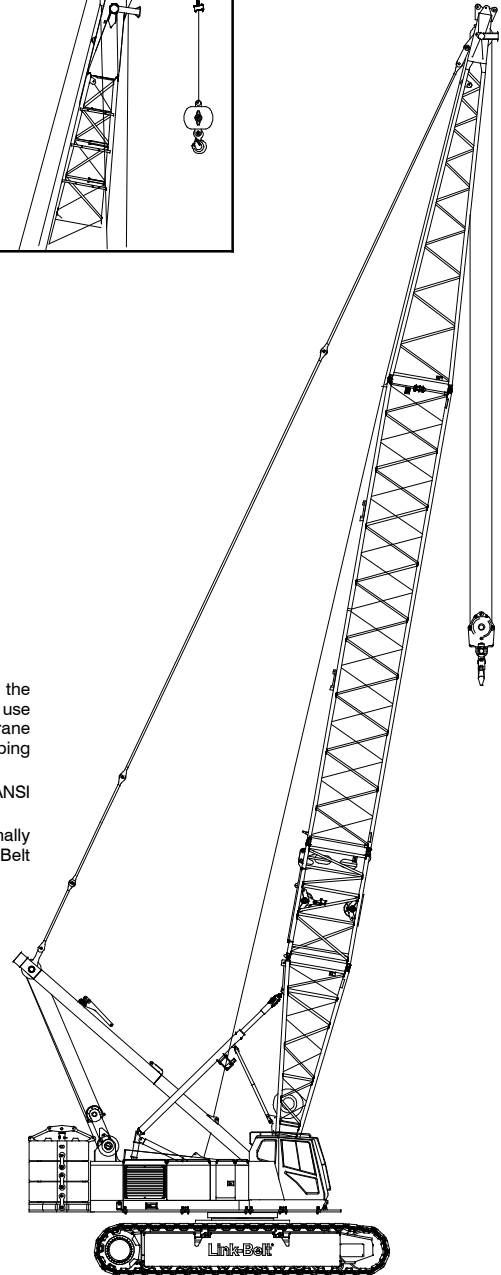
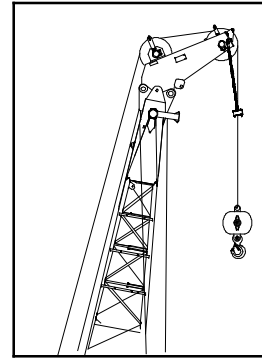
**85–165 ft (25.91–50.29m) Luffing Boom  
+ 80–160 ft (24.38–48.77m) Luffing Jib  
With 30 ft (9.14m) Fixed Jib**

# Main Boom Make-up

Boom Length ft (m)	Boom Extensions ft (m)				
	Self Assy Section*	10 (3.05)	20 (6.14)	30 (9.10)	40 (12.19)
60 (18.29)	1	1			
70 (21.34)	1	2			
80 (24.38)	1	1	1		
90 (27.43)	1	1		1	
100 (30.48)	1	1			1
110 (33.53)	1	2			1
120 (36.58)	1	1	1		1
130 (39.62)	1	1		1	1
140 (42.67)	1	1			2
150 (45.72)	1	2			2
160 (48.77)	1	1	1		2
170 (51.82)	1	1		1	2
180 (54.86)	1	1			3
190 (57.91)	1	2			3
200 (60.96)	1	1	1		3
210 (64.01)	1	1		1	3
220 (67.06)	1	2		1	3
230 (70.10)	1	1	1	1	3
240 (73.15)	1	2	1	1	3
250 (76.20)	1	1	2	1	3
260 (79.25)	1	2	2	1	3

\* 10 ft (3.05m) self assembly section.

## Optional Auxiliary Tip Extension

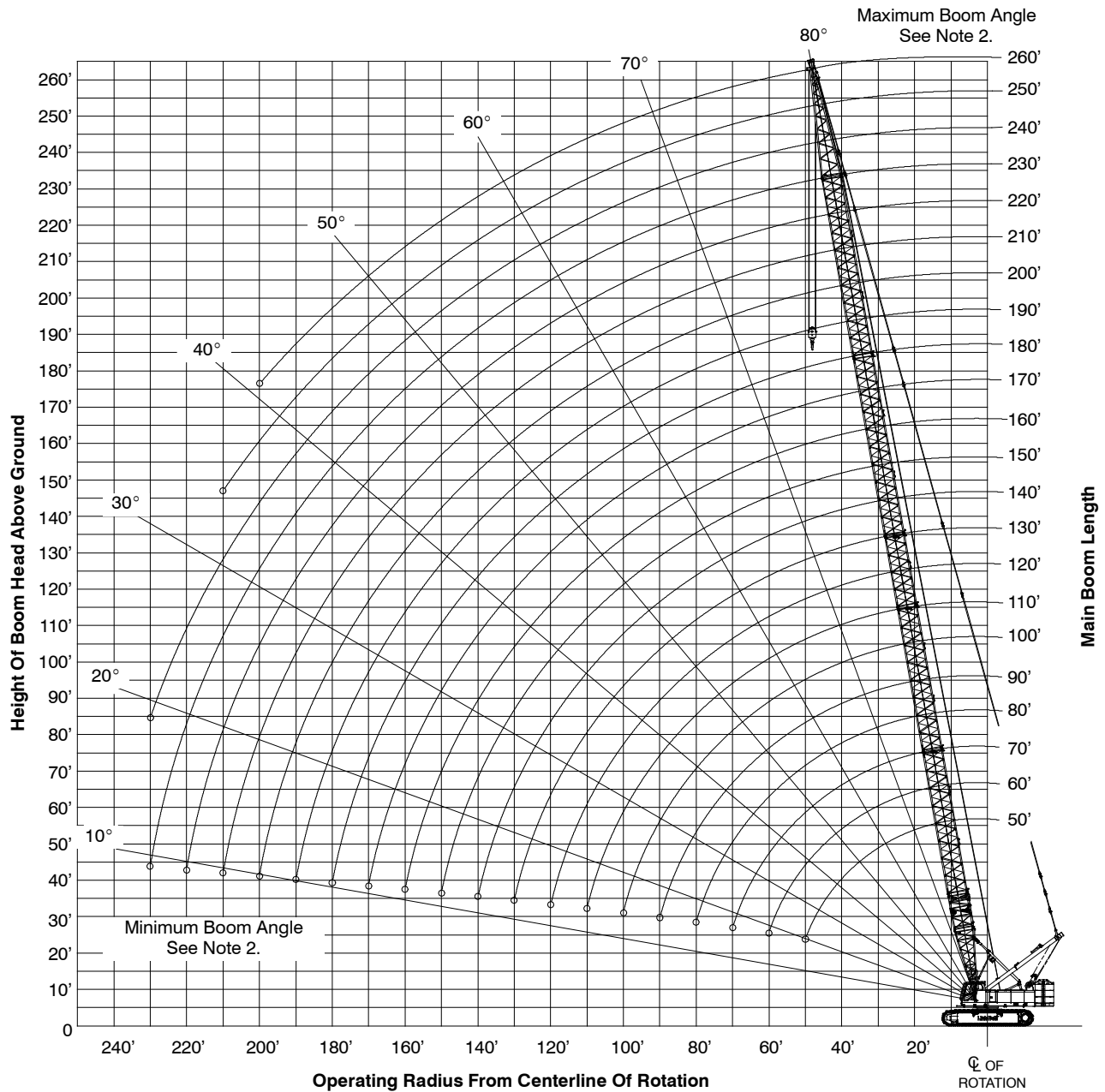


### Notes:

- Capacities shown are in kips/metric tons (1 kip = 1,000 lb / 1 metric ton = 0.45 kips) and are not more than 75% of the tipping loads with the crane standing level on firm supporting surface. A deduction must be made from these capacities for weight of hook block, hook ball, sling, grapple, load weighing device, etc. When using main hook while jib or tip extension is attached, reduce capacities by values shown in Crane Rating Manual. See Operator's Manual for all limitations when raising or lowering attachment.
- The capacities in the shaded areas are based on structural strength. The capacities in the non-shaded areas are based on stability ratings.
- For recommended reeving, parts of line, wire rope type, and wire rope inspection, see Wire Rope Capacity Chart, Operator's Manual, and Parts Manual.
- Load ratings are based on freely suspended loads and make no allowances for such factors as the effect of the wind, ground conditions, and operating speeds. The operator shall therefore reduce load ratings in order to take these conditions into account. Refer to the Crane Rating Manual for Wind Speed Restrictions.
- The 26 ft (7.92m) live mast must be used for all capacities listed.
- The least stable rated condition is over the side.
- Booms must be erected and lowered over the end for maximum stability.
- Main boom length must not exceed 260 ft (79.25m).
- Do not operate at radii and boom lengths where the Crane Rating Manual lists no capacity. Do not use longer booms or jibs than those listed in the Crane Rating Manual. Any of the above can cause a tipping condition, or boom and jib failure.
- These capacities are in compliance with ASME/ANSI B30.5 at date of manufacture.
- These capacities apply only to the crane as originally manufactured and normally equipped by Link-Belt Construction Equipment Company.



# Main Boom Working Range Diagram



**Notes:**

1. Boom geometry shown is for unloaded condition and crane standing level on firm supporting surface. Boom deflection, subsequent radius, and boom angle change must be accounted for when applying load to hook.
2. Maximum and minimum boom angles are equal to the values listed in the capacity charts for each boom length.

# Main Boom Load Chart

**Main Boom Lift Capacity Chart – 360° Rotation**  
**ABC + A Counterweight [92,000 lb (41.7mt) + 48,000 lb (21.8mt)]**  
 [All capacities are listed in kips (mt)]

Load Radius (ft)	Boom Length ft (m)											
	50 (15.2)	70 (21.3)	90 (27.4)	110 (33.5)	130 (39.6)	150 (45.7)	170 (51.8)	190 (57.9)	210 (64.0)	230 (67.1)	250 (76.2)	260 (79.2)
12 (3.7)	270.0 (122.5)											
13 (4.0)	263.5 (119.5)											
14 (4.3)	250.9 (113.8)											
15 (4.6)	239.4 (108.6)											
16 (4.9)	228.9 (103.8)	226.4 (102.7)										
17 (5.2)	219.2 (99.4)	216.9 (98.4)										
18 (5.5)	210.3 (95.4)	208.1 (94.4)										
19 (5.8)	202.0 (91.6)	199.9 (90.7)	193.1 (87.6)									
20 (6.1)	193.8 (87.9)	192.4 (87.3)	190.7 (86.5)									
25 (7.6)	153.2 (69.5)	154.8 (70.2)	154.1 (69.9)	153.0 (69.4)								
30 (9.1)	122.6 (55.6)	123.3 (55.9)	123.6 (56.1)	123.6 (56.1)	123.5 (56.0)	111.4 (50.5)						
35 (10.7)	99.0 (44.9)	99.3 (45.0)	99.5 (45.1)	99.5 (45.1)	99.3 (45.0)	99.1 (45.0)	93.5 (42.4)					
40 (12.2)	82.6 (37.5)	82.9 (37.6)	83.0 (37.7)	82.9 (37.6)	82.7 (37.5)	82.4 (37.4)	82.2 (37.3)	73.8 (33.5)	58.3 (26.4)			
50 (15.2)	54.5 (24.7)	61.7 (28.0)	61.8 (28.0)	61.6 (27.9)	61.4 (27.9)	61.1 (27.7)	60.7 (27.5)	60.3 (27.4)	56.1 (25.5)	44.1 (20.0)	35.8 (16.2)	32.3 (14.7)
60 (18.3)		48.6 (22.0)	48.7 (22.1)	48.5 (22.0)	48.2 (21.9)	47.9 (21.7)	47.5 (21.6)	47.1 (21.4)	46.7 (21.2)	40.2 (18.2)	32.2 (14.6)	29.1 (13.2)
70 (21.3)		39.6 (18.0)	39.8 (18.1)	39.6 (18.0)	39.3 (17.8)	39.0 (17.7)	38.6 (17.5)	38.2 (17.3)	37.7 (17.1)	36.2 (16.4)	29.0 (13.2)	26.2 (11.9)

This material is supplied for reference use only. Operator must refer to in-cab Crane Rating Manual and Operator's Manual to determine allowable crane lifting capacities and assembly and operating procedures.

**Main Boom Lift Capacity Chart (Continued) – 360° Rotation**  
**ABC + A Counterweight [92,000 lb (41.7mt) + 48,000 lb (21.8mt)]**

[All capacities are listed in kips (mt)]

Load Radius (ft)	Boom Length ft (m)									
	90 (27.4)	110 (33.5)	130 (39.6)	150 (45.7)	170 (51.8)	190 (57.9)	210 (64.0)	230 (67.1)	250 (76.2)	260 (79.2)
80 (24.4)	33.3 (15.1)	33.2 (15.1)	32.9 (14.9)	32.5 (14.7)	32.1 (14.6)	31.7 (14.4)	31.2 (14.2)	30.8 (14.0)	26.1 (11.8)	23.5 (10.7)
90 (27.4)	28.4 (12.9)	28.3 (12.8)	28.0 (12.7)	27.7 (12.6)	27.2 (12.3)	26.8 (12.2)	26.3 (11.9)	25.8 (11.7)	23.5 (10.7)	20.6 (9.3)
100 (30.5)		24.5 (11.1)	24.2 (11.0)	23.8 (10.8)	23.4 (10.6)	23.0 (10.4)	22.5 (10.2)	22.0 (10.0)	20.1 (9.1)	18.2 (8.3)
110 (33.5)		21.3 (9.7)	21.1 (9.6)	20.8 (9.4)	20.3 (9.2)	19.9 (9.0)	19.4 (8.8)	18.9 (8.6)	17.4 (7.9)	15.6 (7.1)
120 (36.6)			18.6 (8.4)	18.2 (8.3)	17.8 (8.1)	17.3 (7.9)	16.8 (7.6)	16.3 (7.4)	14.9 (6.8)	13.3 (6.0)
130 (39.6)			16.4 (7.4)	16.1 (7.3)	15.7 (7.1)	15.2 (6.9)	14.7 (6.7)	14.2 (6.4)	12.8 (5.8)	11.3 (5.1)
140 (42.7)				14.2 (6.4)	13.9 (6.3)	13.4 (6.1)	12.9 (5.6)	12.4 (5.6)	11.0 (5.0)	9.5 (4.3)
150 (45.7)				12.6 (5.7)	12.3 (5.6)	11.8 (5.4)	11.4 (5.2)	10.9 (4.9)	9.3 (4.2)	8.0 (3.6)
160 (48.8)					10.9 (4.9)	10.5 (4.8)	10.0 (4.5)	9.5 (4.3)	7.9 (3.6)	6.6 (3.0)
170 (51.8)					9.7 (4.4)	9.3 (4.2)	8.8 (4.0)	8.3 (3.8)	6.6 (3.0)	5.4 (2.5)
180 (54.9)						8.2 (3.7)	7.7 (3.5)	7.0 (3.2)	5.4 (2.5)	4.3 (2.0)
190 (57.9)						6.9 (3.1)	6.6 (3.0)	5.9 (2.7)	4.4 (2.0)	3.3 (1.5)
200 (61.0)							5.5 (2.5)	4.9 (2.2)	3.4 (1.5)	2.4 (1.1)
210 (64.0)							4.4 (2.0)	3.9 (1.8)	2.6 (1.2)	
220 (67.1)								3.0 (1.4)		
230 (70.1)								2.1 (1.0)		

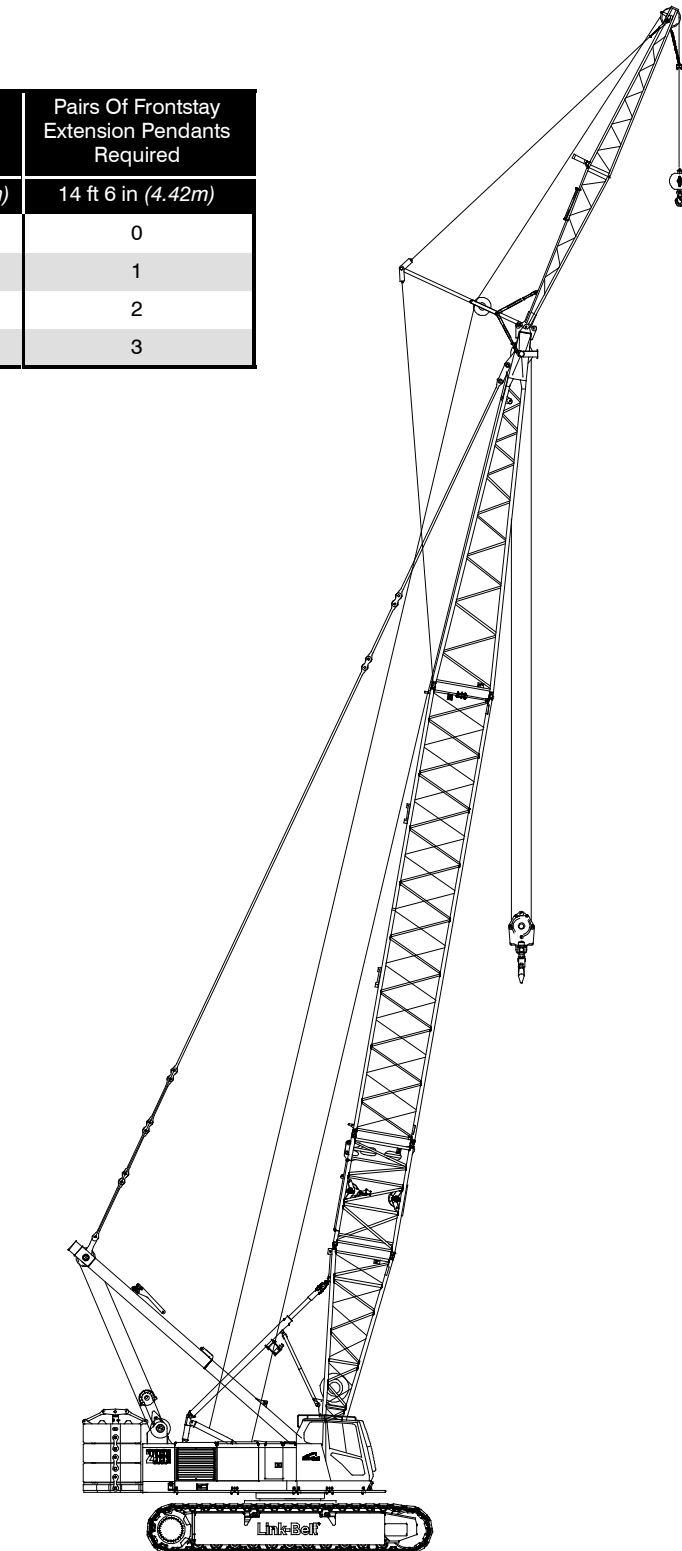
This material is supplied for reference use only. Operator must refer to in-cab Crane Rating Manual and Operator's Manual to determine allowable crane lifting capacities and assembly and operating procedures.

# Jib Attachment Make-up

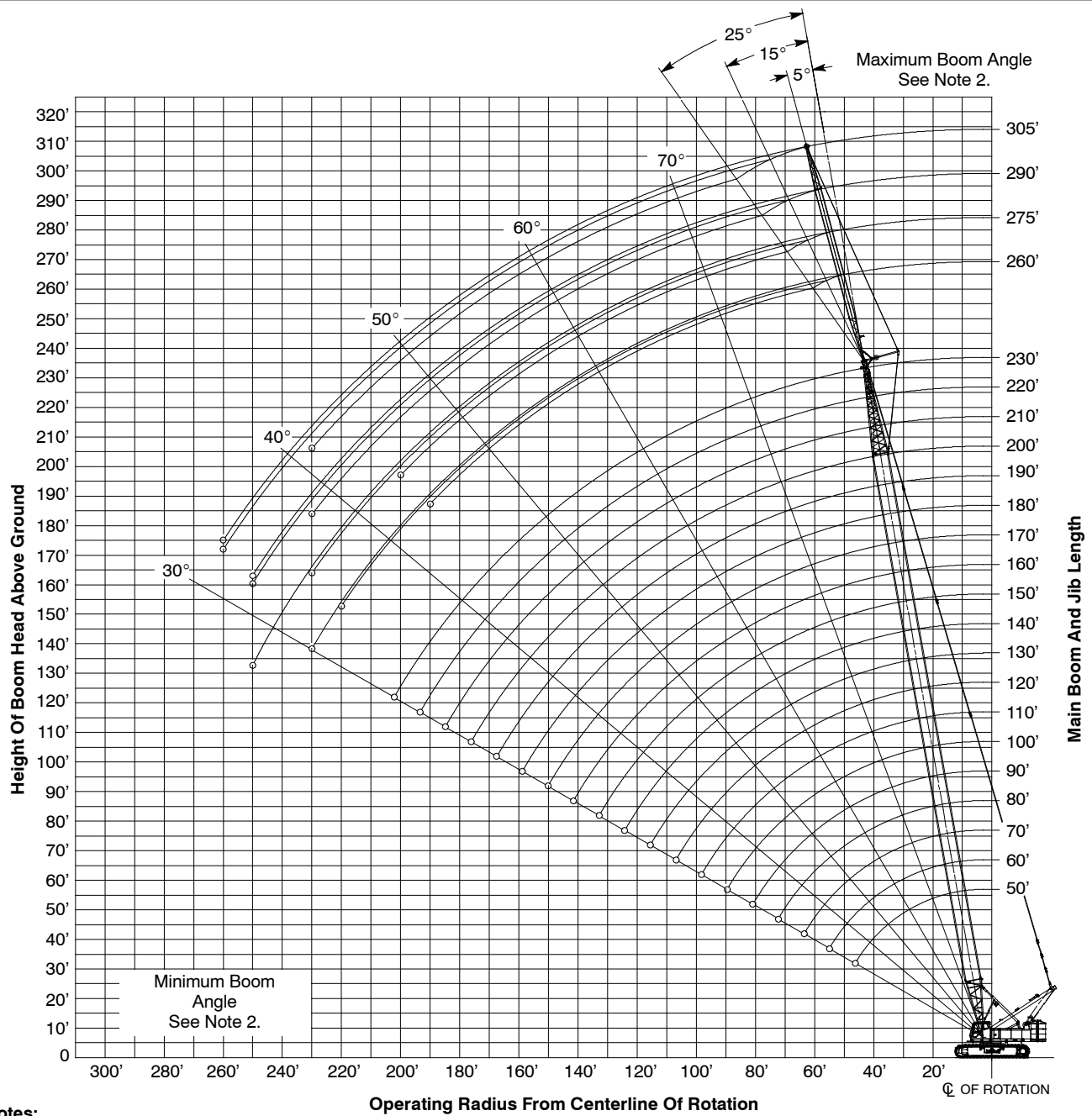
Jib Length ft (m)	Jib Extensions	Basic Frontstay Pendants Required	Pairs Of Frontstay Extension Pendants Required
	15 ft (4.57 m)	63 ft 5 in (19.33m)	14 ft 6 in (4.42m)
30 (9.15)	0	1	0
45 (13.72)	1	1	1
60 (18.29)	2	1	2
75 (22.86)	3	1	3

## Notes:

1. Capacities shown are in kips/metric tons (1 kip = 1,000 lb / 1 metric ton = 0.45 kips) and are not more than 75% of the tipping loads with the crane standing level on a firm supporting surface.
2. A deduction must be made from these capacities for the weight of the main boom hook block or hook ball, jib hook block or hook ball, slings, grapples, load weighing devices, etc. When using main hook while jib is attached, reduce capacities by values shown in Crane Rating Manual. See Operator's Manual for all limitations when raising or lowering attachment.
3. The capacities in the shaded areas are based on structural strength. The capacities in the non-shaded areas are based on stability ratings.
4. Load ratings are based on freely suspended loads and make no allowances for such factors as the effect of the wind, ground conditions, and operating speeds. The operator shall therefore reduce load ratings in order to take these conditions into account. Refer to the Crane Rating Manual for Wind Speed Restrictions.
5. These capacities are for "ABC+A" counterweight.
6. These capacities are for 360° working areas.
7. These capacities are for 30–75 ft (9.15–22.86m) jib lengths only.
8. The jib cannot be used on boom lengths over 230 ft (70.10m).
9. The least stable rated condition is over the side.
10. These capacities are in compliance with ASME/ANSI B30.5 at date of manufacture.
11. These capacities apply only to the crane as originally manufactured and normally equipped by Link-Belt Construction Equipment Company.



# Jib Attachment Working Range Diagram



**Notes:**

1. Boom geometry shown is for unloaded condition and crane standing level on firm supporting surface. Boom deflection, subsequent radius, and boom angle change must be accounted for when applying load to hook.
2. Maximum and minimum boom angles are equal to the values listed in the capacity charts for each boom and jib length.

# Jib Attachment Load Charts

30 ft (9.14m) Offset Jib Length – 360° Rotation																	
ABC + A Counterweight [92,000 lb (41.7mt) + 48,000 lb (21.8mt)]																	
[All capacities are listed in kips (mt)]																	
5° Offset						15° Offset						25° Offset					
Load Radius ft (m)	Main Boom Length ft (m)					Load Radius ft (m)	Main Boom Length ft (m)					Load Radius ft (m)	Main Boom Length ft (m)				
	50 (15.2)	100 (30.5)	150 (45.7)	200 (61.0)	230 (70.1)		50 (15.2)	100 (30.5)	150 (45.7)	200 (61.0)	230 (70.1)		50 (15.2)	100 (30.5)	150 (45.7)	200 (61.0)	230 (70.1)
20 (6.1)	24.0 (10.9)					20 (6.1)	24.0 (10.9)					20 (6.1)					
30 (9.1)	24.0 (10.9)	24.0 (10.9)				30 (9.1)	23.9 (10.9)					30 (9.1)	22.6 (10.3)				
40 (12.2)	24.0 (10.9)	24.0 (10.9)	24.0 (10.9)			40 (12.2)	23.9 (10.9)	24.0 (10.9)				40 (12.2)	20.2 (9.2)	22.6 (10.3)			
50 (15.2)	24.0 (10.9)	24.0 (10.9)	24.0 (10.9)	24.0 (10.9)		50 (15.2)	22.3 (10.1)	24.0 (10.9)	24.0 (10.9)			50 (15.2)	17.4 (7.9)	20.8 (9.5)	22.4 (10.2)		
60 (18.3)	22.7 (10.3)	24.0 (10.9)	24.0 (10.9)	24.0 (10.9)	24.0 (10.9)	60 (18.3)	19.0 (8.6)	23.3 (10.6)	24.0 (10.9)	24.0 (10.9)	24.0 (10.9)	60 (18.3)	15.4 (7.0)	19.1 (8.7)	21.0 (9.5)	22.2 (10.1)	
70 (21.3)	19.3 (8.8)	24.0 (10.9)	24.0 (10.9)	24.0 (10.9)	24.0 (10.9)	70 (21.3)	16.7 (7.6)	22.6 (10.3)	24.0 (10.9)	24.0 (10.9)	24.0 (10.9)	70 (21.3)		17.6 (8.0)	19.7 (9.0)	21.1 (9.6)	21.7 (9.9)
80 (24.4)		23.6 (10.7)	24.0 (10.9)	24.0 (10.9)	24.0 (10.9)	80 (24.4)		21.1 (9.6)	22.9 (10.4)	24.0 (10.9)	24.0 (10.9)	80 (24.4)		16.3 (7.4)	18.6 (8.5)	20.0 (9.1)	20.7 (9.4)
90 (27.4)		22.6 (10.3)	24.0 (10.9)	24.0 (10.9)	24.0 (10.9)	90 (27.4)		19.1 (8.7)	22.5 (10.2)	24.0 (10.9)	23.2 (10.5)	90 (27.4)		15.2 (6.9)	17.7 (8.0)	19.1 (8.7)	19.8 (9.0)
100 (30.5)		21.2 (9.6)	24.0 (10.9)	22.5 (10.2)	22.0 (10.0)	100 (30.5)		17.6 (8.0)	22.1 (10.0)	22.6 (10.3)	22.0 (10.0)	100 (30.5)		14.4 (6.5)	16.7 (7.6)	18.3 (8.3)	19.0 (8.6)
120 (36.6)		17.7 (8.0)	18.5 (8.4)	17.1 (7.8)	16.3 (7.4)	120 (36.6)			18.7 (8.5)	17.4 (7.9)	16.6 (7.5)	120 (36.6)			15.1 (6.9)	16.9 (7.7)	16.9 (7.7)
140 (42.7)			14.6 (6.6)	13.2 (6.0)	12.3 (5.6)	140 (42.7)			14.7 (6.7)	13.4 (6.1)	12.6 (5.7)	140 (42.7)				13.6 (6.2)	12.9 (5.9)
160 (48.8)			11.7 (5.3)	10.3 (4.7)	9.4 (4.3)	160 (48.8)				10.5 (4.8)	9.7 (4.4)	160 (48.8)				10.6 (4.8)	9.8 (4.5)
180 (54.9)				8.1 (3.7)	7.2 (3.3)	180 (54.9)					8.2 (3.7)	7.4 (3.4)	180 (54.9)				7.5 (3.4)
200 (61.0)				6.3 (2.9)	5.1 (2.3)	200 (61.0)					5.3 (2.4)	200 (61.0)					
220 (67.1)					3.3 (1.5)	220 (67.1)					3.4 (1.5)	220 (67.1)					
230 (70.1)					2.5 (1.1)	230 (70.1)						230 (70.1)					

This material is supplied for reference use only. Operator must refer to in-cab Crane Rating Manual and Operator's Manual to determine allowable crane lifting capacities and assembly and operating procedures.

45 ft (13.7m) Offset Jib Length – 360° Rotation ABC + A Counterweight [92,000 lb (41.7mt) + 48,000 lb (21.8mt)] [All capacities are listed in kips (mt)]																	
5° Offset						15° Offset						25° Offset					
Load Radius ft (m)	Main Boom Length ft (m)					Load Radius ft (m)	Main Boom Length ft (m)					Load Radius ft (m)	Main Boom Length ft (m)				
	50 (15.2)	100 (30.5)	150 (45.7)	200 (61.0)	230 (70.1)		50 (15.2)	100 (30.5)	150 (45.7)	200 (61.0)	230 (70.1)		50 (15.2)	100 (30.5)	150 (45.7)	200 (61.0)	230 (70.1)
30 (9.1)	24.0 (10.9)					30 (9.1)						30 (9.1)					
40 (12.2)	22.6 (10.3)	24.0 (10.9)				40 (12.2)	18.4 (8.4)	22.4 (10.2)				40 (12.2)	13.7 (6.2)				
50 (15.2)	19.0 (8.6)	23.8 (10.8)	24.0 (10.9)	24.0 (10.9)		50 (15.2)	15.3 (7.0)	19.2 (8.7)	22.0 (10.0)			50 (15.2)	11.8 (5.4)	13.6 (6.2)			
60 (18.3)	15.8 (7.2)	22.5 (10.2)	24.0 (10.9)	24.0 (10.9)	24.0 (10.9)	60 (18.3)	13.1 (6.0)	16.8 (7.6)	19.6 (8.9)	21.7 (9.9)		60 (18.3)	10.4 (4.7)	12.3 (5.6)	13.5 (6.1)		
70 (21.3)	13.5 (6.1)	19.6 (8.9)	22.5 (10.2)	24.0 (10.9)	23.2 (10.5)	70 (21.3)	11.5 (5.2)	15.0 (6.8)	17.7 (8.0)	19.6 (8.9)	20.9 (9.5)	70 (21.3)	9.4 (4.3)	11.3 (5.1)	12.5 (5.7)	13.4 (6.1)	13.8 (6.3)
80 (24.4)	11.8 (5.4)	17.2 (7.8)	22.2 (10.1)	23.4 (10.6)	21.2 (9.6)	80 (24.4)	17.0 (7.6)	13.5 (6.1)	16.1 (7.3)	18.2 (8.3)	19.3 (8.8)	80 (24.4)	8.6 (3.9)	10.4 (4.7)	11.7 (5.3)	12.6 (5.7)	13.1 (6.0)
90 (27.4)	10.6 (4.8)	15.3 (7.0)	19.9 (9.0)	22.4 (10.2)	20.6 (9.4)	90 (27.4)		12.4 (5.6)	14.8 (6.7)	16.9 (7.7)	17.9 (8.1)	90 (27.4)		9.7 (4.4)	11.0 (5.0)	11.9 (5.4)	12.4 (5.6)
100 (30.5)		13.8 (6.3)	18.0 (8.2)	21.8 (9.9)	19.9 (9.0)	100 (30.5)		11.4 (5.2)	13.7 (6.2)	15.7 (7.1)	16.7 (7.6)	100 (30.5)		9.1 (4.1)	10.4 (4.7)	11.3 (5.1)	11.8 (5.4)
120 (36.6)		11.6 (5.3)	15.1 (6.9)	17.4 (7.9)	16.6 (14.5)	120 (36.6)		10.0 (4.5)	12.0 (5.5)	13.9 (6.3)	14.8 (6.7)	120 (36.6)			9.4 (4.3)	10.3 (4.7)	10.8 (4.9)
140 (42.7)			13.0 (5.9)	13.5 (6.1)	11.1 (5.0)	140 (42.7)			10.8 (4.9)	12.4 (5.6)	13.0 (5.9)	140 (42.7)			8.7 (4.0)	9.5 (4.3)	10.0 (4.5)
160 (48.8)			11.5 (5.2)	10.6 (4.8)	8.5 (7.5)	160 (48.8)			9.8 (4.5)	10.9 (5.0)	10.0 (4.5)	160 (48.8)				8.9 (4.0)	9.3 (4.2)
180 (54.9)			9.8 (4.5)	8.3 (3.8)	5.4 (2.5)	180 (54.9)				8.6 (3.9)	7.7 (3.5)	180 (54.9)				8.4 (3.8)	8.0 (3.6)
200 (61.0)				6.6 (3.0)	3.7 (1.7)	200 (61.0)				6.7 (3.0)	5.7 (2.6)	200 (61.0)					6.0 (2.7)
220 (67.1)				4.8 (2.2)	2.2 (1.0)	220 (67.1)					3.9 (1.8)	220 (67.1)					
230 (70.1)						230 (70.1)					3.1 (1.4)	230 (70.1)					

This material is supplied for reference use only. Operator must refer to in-cab Crane Rating Manual and Operator's Manual to determine allowable crane lifting capacities and assembly and operating procedures.

<b>60 ft (18.3m) Offset Jib Length – 360° Rotation</b> <b>ABC + A Counterweight [92,000 lb (41.7mt) + 48,000 lb (21.8mt)]</b> <b>[All capacities are listed in kips (mt)]</b>																	
5° Offset						15° Offset						25° Offset					
Load Radius ft (m)	Main Boom Length ft (m)					Load Radius ft (m)	Main Boom Length ft (m)					Load Radius ft (m)	Main Boom Length ft (m)				
	50 (15.2)	100 (30.5)	150 (45.7)	200 (61.0)	230 (70.1)		50 (15.2)	100 (30.5)	150 (45.7)	200 (61.0)	230 (70.1)		50 (15.2)	100 (30.5)	150 (45.7)	200 (61.0)	230 (70.1)
30 (9.1)	22.8 (10.4)					30 (9.1)	24.0 (10.9)					30 (9.1)					
40 (12.2)	22.2 (10.1)	22.6 (10.3)				40 (12.2)	23.9 (10.9)					40 (12.2)					
50 (15.2)	19.4 (8.8)	20.9 (9.5)	22.4 (10.2)			50 (15.2)	22.3 (10.1)	14.8 (6.7)				50 (15.2)	9.4 (4.3)				
60 (18.3)	15.4 (7.0)	17.6 (8.0)	21.8 (9.9)	21.7 (9.9)	20.1 (9.1)	60 (18.3)	19.0 (8.6)	12.9 (5.9)	14.7 (6.7)			60 (18.3)	8.2 (3.7)	9.3 (4.2)			
70 (21.3)	12.8 (5.8)	15.1 (6.9)	18.9 (8.6)	21.1 (9.6)	19.5 (8.9)	70 (21.3)	16.7 (7.6)	11.5 (5.2)	13.3 (6.0)	14.8 (6.7)	15.3 (7.0)	70 (21.3)	7.3 (3.3)	8.5 (3.9)	9.2 (4.2)		
80 (24.4)	10.9 (5.0)	13.3 (6.0)	16.7 (7.6)	19.8 (9.0)	18.9 (8.6)	80 (24.4)		10.3 (4.7)	12.1 (5.5)	13.4 (6.1)	14.1 (6.4)	80 (24.4)	6.6 (3.0)	7.8 (3.5)	8.6 (3.9)	9.2 (4.2)	9.4 (4.3)
90 (27.4)	9.5 (4.3)	11.8 (5.4)	14.9 (6.8)	17.8 (8.1)	18.3 (8.3)	90 (27.4)		9.4 (4.3)	11.1 (5.0)	12.4 (5.6)	13.1 (6.0)	90 (27.4)	6.0 (2.7)	7.2 (3.3)	8.1 (3.7)	8.7 (4.0)	9.0 (4.1)
100 (30.5)	8.4 (3.8)	10.6 (4.8)	13.5 (6.1)	16.2 (7.4)	17.6 (8.0)	100 (30.5)		8.6 (3.9)	10.2 (4.6)	11.6 (5.3)	12.2 (5.5)	100 (30.5)		6.7 (3.0)	7.6 (3.5)	8.2 (3.7)	8.5 (3.9)
120 (36.6)		8.9 (4.0)	11.3 (5.1)	13.6 (6.2)	14.9 (6.8)	120 (36.6)		7.4 (3.4)	8.9 (4.0)	10.1 (4.6)	10.8 (4.9)	120 (36.6)		6.0 (2.7)	6.8 (3.1)	7.4 (3.4)	7.7 (3.5)
140 (42.7)		7.6 (3.5)	9.7 (4.4)	11.8 (5.4)	12.9 (5.9)	140 (42.7)		6.6 (3.0)	7.9 (3.6)	9.0 (4.1)	9.7 (4.4)	140 (42.7)			6.2 (2.8)	6.8 (3.1)	7.1 (3.2)
160 (48.8)			8.5 (3.9)	10.3 (4.7)	10.0 (4.5)	160 (48.8)			7.1 (3.2)	8.2 (3.7)	8.8 (4.0)	160 (48.8)			5.8 (2.6)	6.3 (2.9)	6.6 (3.0)
180 (54.9)			7.6 (3.5)	8.6 (3.9)	7.7 (3.5)	180 (54.9)			6.6 (3.0)	7.5 (3.4)	8.0 (3.6)	180 (54.9)				5.9 (2.7)	6.2 (2.8)
200 (61.0)				6.8 (3.1)	5.7 (2.6)	200 (61.0)				6.9 (3.1)	6.1 (2.8)	200 (61.0)					5.9 (2.7)
220 (67.1)				5.2 (2.4)	4.0 (1.8)	220 (67.1)				5.4 (2.5)	4.3 (2.0)	220 (67.1)					
240 (73.2)						240 (73.2)					2.7 (1.2)	240 (73.2)					

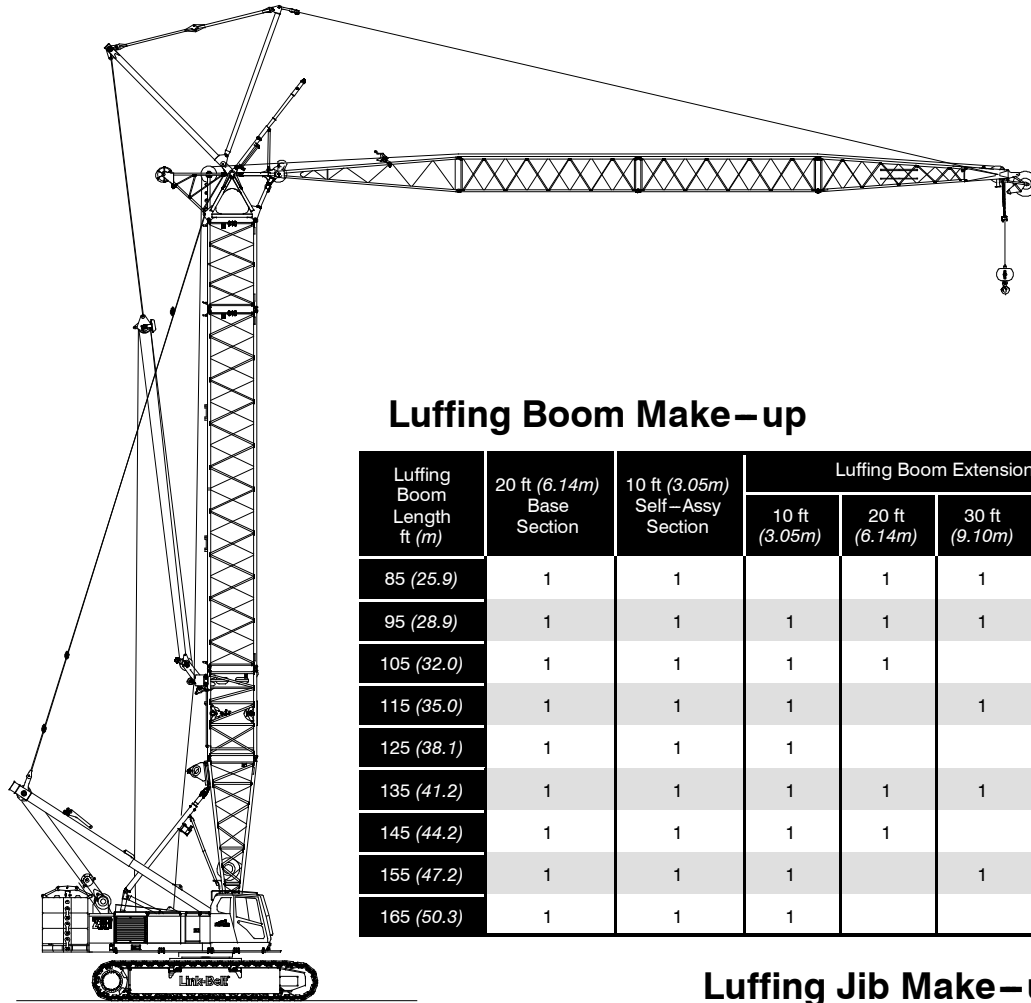
This material is supplied for reference use only. Operator must refer to in-cab Crane Rating Manual and Operator's Manual to determine allowable crane lifting capacities and assembly and operating procedures.



75 ft (22.9m) Offset Jib Length – 360° Rotation																	
ABC + A Counterweight [92,000 lb (41.7mt) + 48,000 lb (21.8mt)]																	
[All capacities are listed in kips (mt)]																	
5° Offset						15° Offset					25° Offset						
Load Radius ft (m)	Main Boom Length ft (m)					Load Radius ft (m)	Main Boom Length ft (m)					Load Radius ft (m)	Main Boom Length ft (m)				
	50 (15.2)	100 (30.5)	150 (45.7)	200 (61.0)	230 (70.1)		50 (15.2)	100 (30.5)	150 (45.7)	200 (61.0)	230 (70.1)		50 (15.2)	100 (30.5)	150 (45.7)	200 (61.0)	230 (70.1)
40 (12.2)	17.5 (8.0)					40 (12.2)						40 (12.2)					
50 (15.2)	13.8 (6.3)	18.1 (8.2)	19.2 (8.7)			50 (15.2)	10.9 (5.0)					50 (15.2)					
60 (18.3)	11.3 (5.1)	15.1 (6.9)	18.5 (8.4)	17.9 (8.1)		60 (18.3)	9.1 (4.1)	11.0 (5.0)				60 (18.3)	7.0 (3.2)				
70 (21.3)	9.5 (4.3)	12.9 (5.9)	16.0 (7.3)	17.4 (7.9)	16.5 (7.5)	70 (21.3)	7.9 (3.6)	9.7 (4.4)	11.0 (5.0)			70 (21.3)	6.1 (2.8)	7.0 (3.2)			
80 (24.4)	8.2 (3.7)	11.3 (5.1)	14.0 (6.4)	16.5 (7.5)	16.1 (7.3)	80 (24.4)	6.9 (3.1)	8.6 (3.9)	9.9 (4.5)	11.0 (5.0)	11.5 (5.2)	80 (24.4)	5.4 (2.5)	6.3 (2.9)	6.9 (3.1)		
90 (27.4)	7.2 (3.3)	9.9 (4.5)	12.4 (5.6)	14.8 (6.7)	15.7 (7.1)	90 (27.4)	6.1 (2.8)	7.8 (3.5)	9.1 (4.1)	10.1 (4.6)	10.6 (4.8)	90 (27.4)	4.9 (2.2)	5.8 (2.6)	6.4 (2.9)	6.9 (3.1)	7.1 (3.2)
100 (30.5)	6.4 (2.9)	8.9 (4.0)	11.2 (5.1)	13.3 (6.0)	14.5 (6.6)	100 (30.5)	5.5 (2.5)	7.1 (3.2)	8.3 (3.8)	9.4 (4.3)	9.9 (4.5)	100 (30.5)	4.5 (2.0)	5.4 (2.5)	6.0 (2.7)	6.5 (3.0)	6.7 (3.0)
120 (36.6)	5.2 (2.4)	7.3 (3.3)	9.3 (4.2)	11.1 (5.0)	12.2 (5.5)	120 (36.6)		6.0 (2.7)	7.1 (3.2)	8.1 (3.7)	8.6 (3.9)	120 (36.6)		4.7 (2.1)	5.3 (2.4)	5.8 (2.6)	6.0 (2.7)
140 (42.7)		6.2 (2.8)	7.9 (3.6)	9.5 (4.3)	10.5 (4.8)	140 (42.7)		5.2 (2.4)	6.3 (2.9)	7.2 (3.3)	7.7 (3.5)	140 (42.7)		4.2 (1.9)	4.8 (2.2)	5.2 (2.4)	5.5 (2.5)
160 (48.8)		5.4 (2.5)	6.8 (3.1)	8.3 (3.8)	9.1 (4.1)	160 (48.8)			5.6 (2.5)	6.4 (2.9)	6.9 (3.1)	160 (48.8)			4.3 (2.0)	4.8 (2.2)	5.0 (2.3)
180 (54.9)			6.0 (2.7)	7.3 (3.3)	7.9 (3.6)	180 (54.9)			5.0 (2.3)	5.8 (2.6)	6.2 (2.8)	180 (54.9)			4.0 (1.8)	4.4 (2.0)	4.6 (2.1)
200 (61.0)			5.4 (2.5)	6.2 (2.8)	6.0 (2.7)	200 (61.0)				5.3 (2.4)	5.7 (2.6)	200 (61.0)				4.1 (1.9)	4.3 (2.0)
220 (67.1)				4.7 (2.1)	4.2 (1.9)	220 (67.1)				4.9 (2.2)	4.6 (2.1)	220 (67.1)					4.1 (1.9)
240 (73.2)				3.3 (1.5)	2.7 (1.2)	240 (73.2)					3.1 (1.4)	240 (73.2)					
250 (76.2)					2.1 (1.0)	250 (76.2)					2.4 (1.1)	250 (76.2)					

This material is supplied for reference use only. Operator must refer to in-cab Crane Rating Manual and Operator's Manual to determine allowable crane lifting capacities and assembly and operating procedures.

# Luffing Attachment Make-up



## Luffing Boom Make-up

Luffing Boom Length ft (m)	20 ft (6.14m) Base Section	10 ft (3.05m) Self-Assy Section	Luffing Boom Extensions				5 ft (1.52m) Top Section
			10 ft (3.05m)	20 ft (6.14m)	30 ft (9.10m)	40 ft (12.19m)	
85 (25.9)	1	1		1	1		1
95 (28.9)	1	1	1	1	1		1
105 (32.0)	1	1	1	1		1	1
115 (35.0)	1	1	1		1	1	1
125 (38.1)	1	1	1			2	1
135 (41.2)	1	1	1	1	1	1	1
145 (44.2)	1	1	1	1		2	1
155 (47.2)	1	1	1		1	2	1
165 (50.3)	1	1	1			3	1

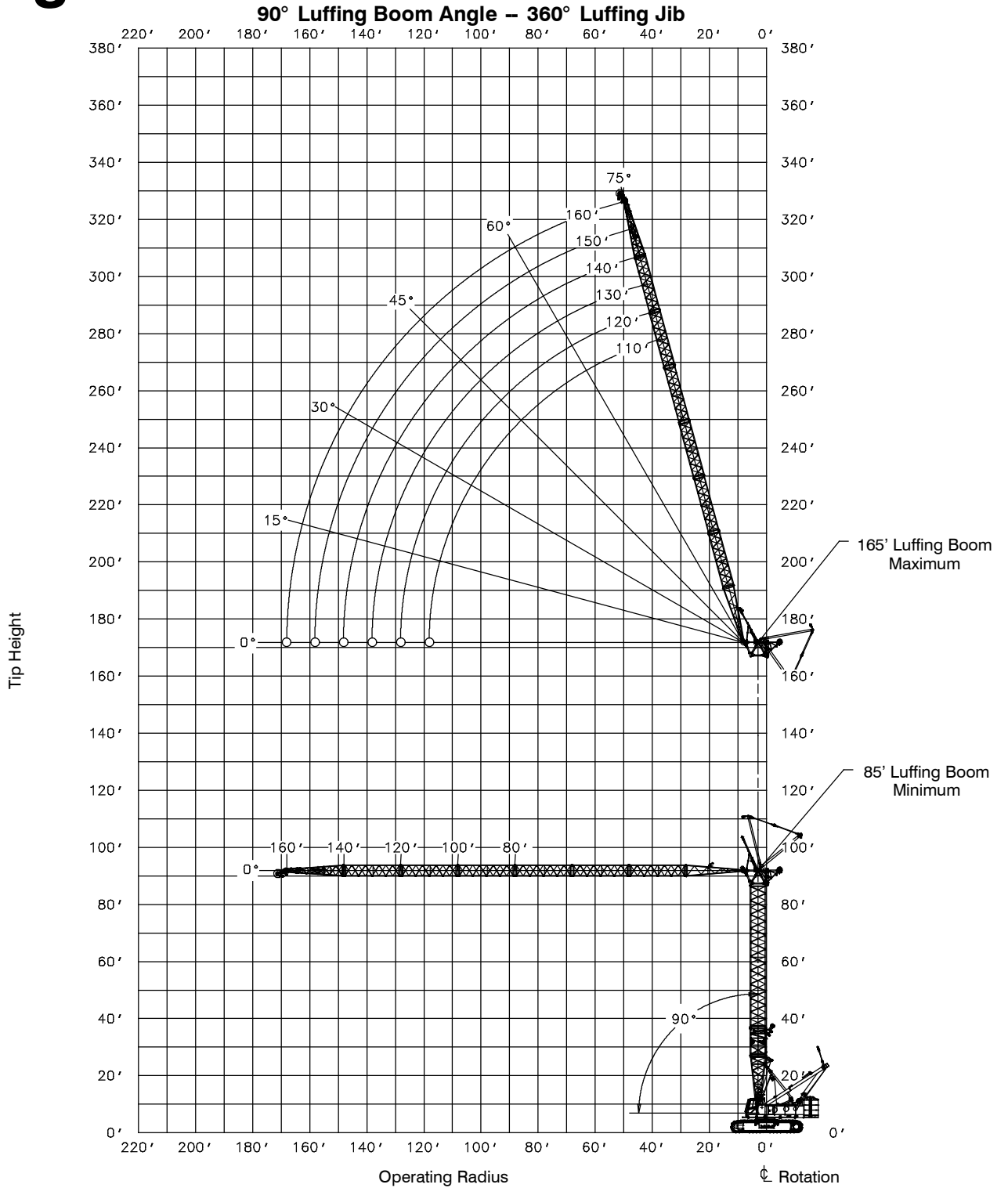
## Luffing Jib Make-up

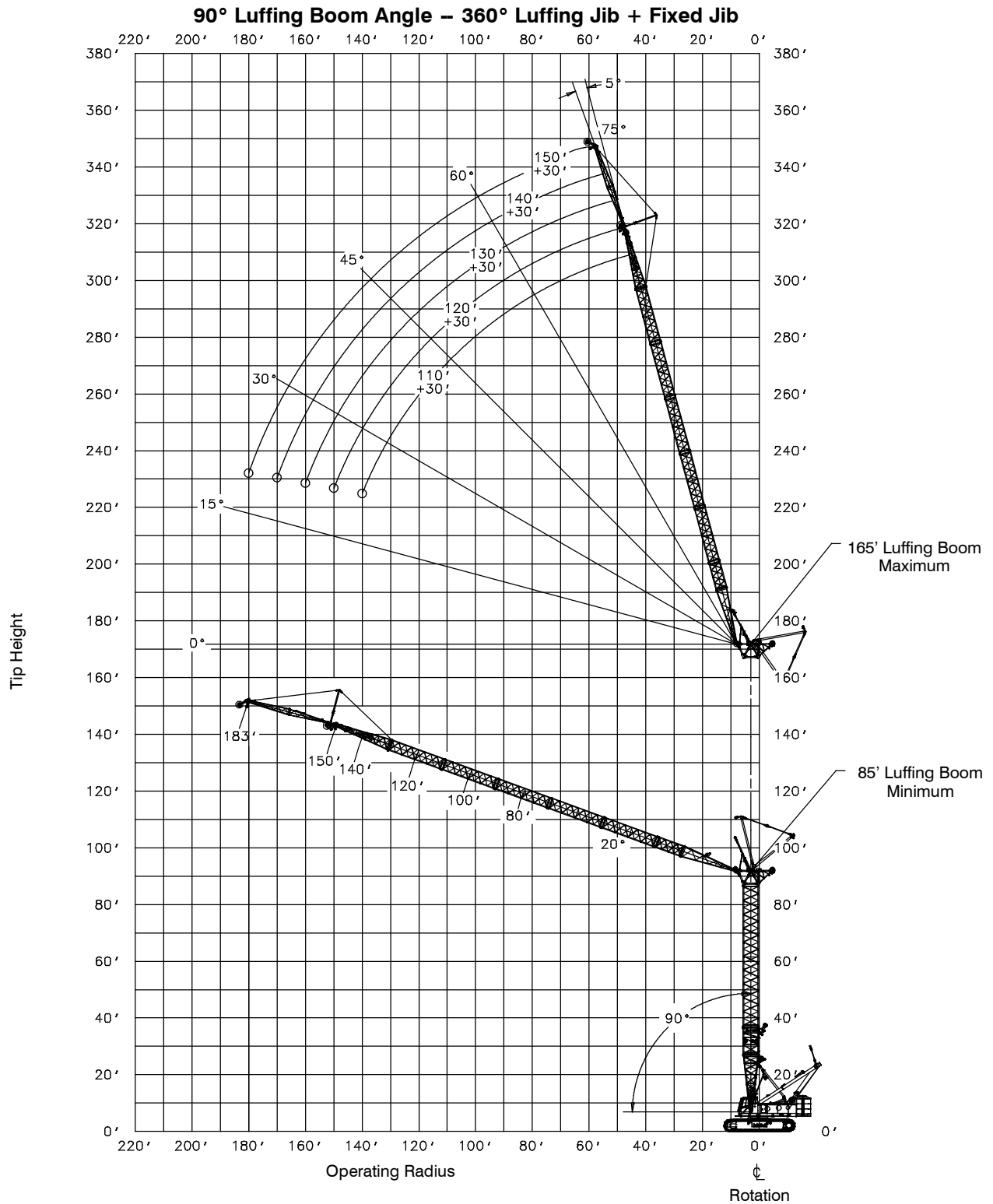
Luffing Jib Length ft (m)	20 ft (6.14m) Base Section	Luffing Jib Extensions			20 ft (6.14m) Top Section
		10 ft (3.05m)	20 ft (6.14m)	30 ft (9.10m)	
80 (24.4)	1	1		1	1
90 (27.4)	1		1	1	1
100 (30.5)	1	1	1	1	1
110 (33.5)	1	1		2	1
120 (36.6)	1		1	2	1
130 (39.6)	1	1	1	2	1
140 (42.7)	1	1		3	1
150 (45.7)	1		1	3	1
160 (48.8)	1	1	1	3	1

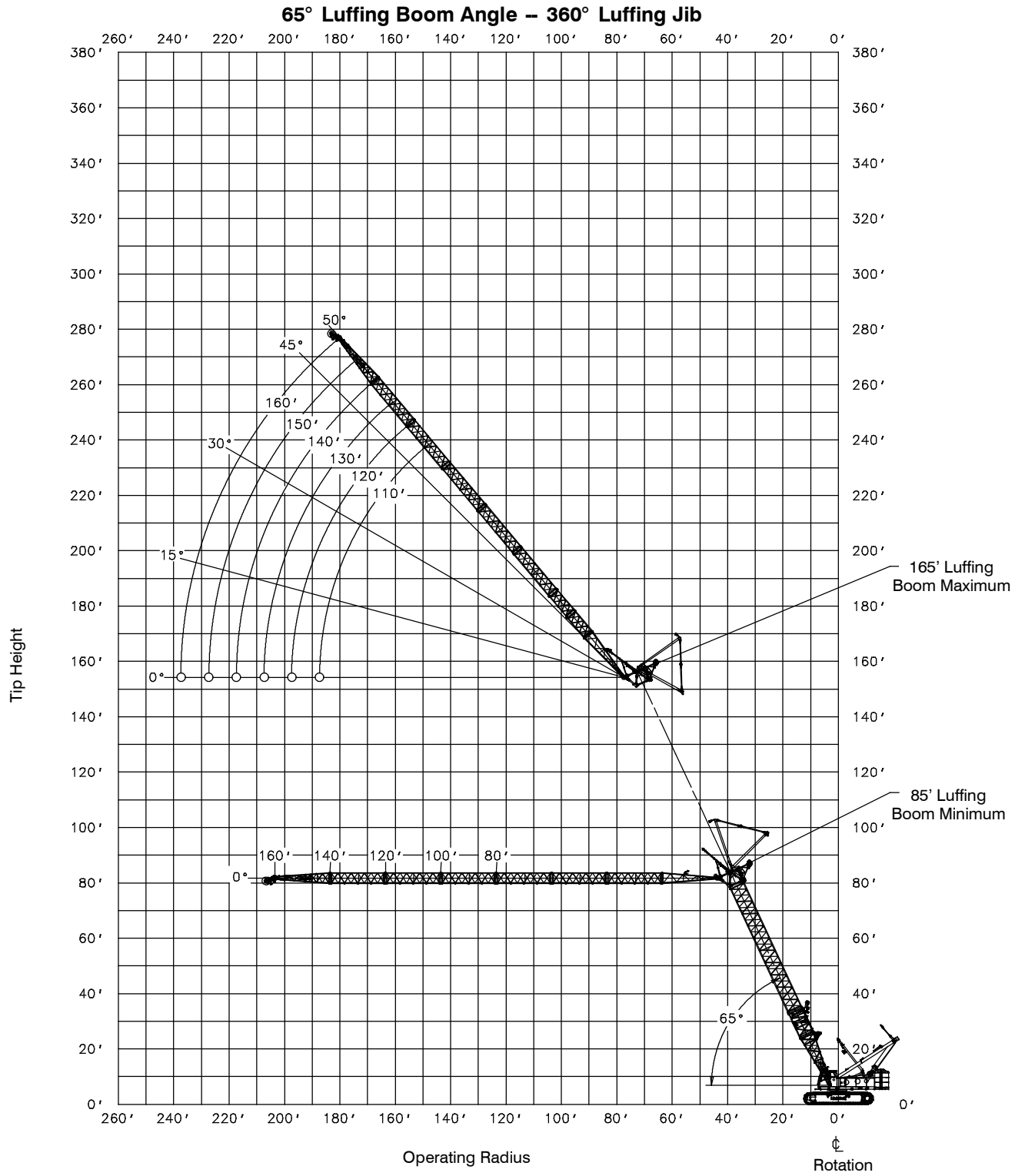
### Notes:

- Capacities shown are in kips/metric tons (1 kip = 1,000 lb / 1 metric ton = 0.45 kips) and are not more than 75% of the tipping loads with the crane standing level on a firm supporting surface. A deduction must be made from these capacities for the weight of the hook block, hook ball, sling, grapple, load weighing devices, etc. When lifting from the luffing jib with the fixed jib installed, reduce capacities by values shown in the Crane Rating Manual. See Operator's Manual for all limitations when raising or lowering attachment.
- The capacities in the shaded areas are based on structural strength. The capacities in the non-shaded areas are based on stability ratings.
- All luffing attachment combinations require the maximum counterweight combination "ABC+A".
- Load ratings are based on freely suspended loads and make no allowances for such factors as the effect of the wind on load, ground conditions, and operating speeds. The operator shall therefore reduce load ratings in order to take these conditions into account. Refer to the Crane Rating Manual for Wind Speed Restrictions.
- Refer to the Crane Rating Manual for allowable attachment liftoff lengths and allowable working lengths at the various luffing boom angles.
- The fixed jib has only one length [30 ft (9.14m)] and only one offset with respect to the luffing jib (5°).
- These capacities are in compliance with ASME/ANSI B30.5 at date of manufacture.
- These capacities apply only to the crane as originally manufactured and normally equipped by Link-Belt Construction Equipment Company.

# Luffing Attachment Working Range Diagrams









# Luffing Attachment Load Charts

85 ft (25.9m) Luffing Boom Length – 360° Rotation ABC + A Counterweight [92,000 lb (41.7mt) + 48,000 lb (21.8mt)] [All capacities are listed in kips (mt)]													
80 ft (24.4m) Luffing Jib Length							100 ft (30.5m) Luffing Jib Length						
Load Radius ft (m)	Luffing Boom Angle						Load Radius ft (m)	Luffing Boom Angle					
	90°	85°	80°	75°	70°	65°		90°	85°	80°	75°	70°	65°
29 (8.8)	53.9 (24.4)						29 (8.8)						
30 (9.1)	52.7 (23.9)						30 (9.1)						
40 (12.2)	43.8 (19.9)						40 (12.2)	40.4 (18.3)					
50 (15.2)	38.5 (17.5)	41.3 (18.7)					50 (15.2)	34.8 (15.8)	38.3 (17.4)				
60 (18.3)	35.0 (15.9)	36.4 (16.5)	39.2 (17.8)				60 (18.3)	31.0 (14.1)	33.1 (15.0)				
70 (21.3)	32.9 (14.9)	33.2 (15.1)	34.5 (15.6)	37.2 (16.9)			70 (21.3)	28.2 (12.8)	29.4 (13.3)	31.5 (14.3)			
80 (24.4)	26.7 (12.1)	31.4 (14.2)	31.7 (14.4)	32.9 (14.9)			80 (24.4)	26.3 (11.9)	26.9 (12.2)	28.0 (12.7)	30.0 (13.6)		
90 (27.4)		25.6 (11.6)	29.9 (13.6)	28.9 (13.1)	27.9 (12.7)		90 (27.4)	23.8 (10.8)	25.1 (11.4)	25.7 (11.7)	26.9 (12.2)		
100 (30.5)			24.4 (11.1)	25.4 (11.5)	24.5 (11.1)	23.6 (10.7)	100 (30.5)	19.8 (9.0)	23.2 (10.5)	24.1 (10.9)	24.6 (11.2)	24.0 (10.9)	
110 (33.5)				22.4 (10.2)	21.8 (9.9)	21.1 (9.6)	110 (33.5)		19.2 (8.7)	22.5 (10.2)	22.2 (10.1)	21.4 (9.7)	20.6 (9.3)
120 (36.6)						18.8 (8.5)	120 (36.6)			18.4 (8.3)	19.9 (9.0)	19.1 (8.7)	18.4 (8.3)
130 (39.6)							130 (39.6)				16.7 (7.6)	17.2 (7.8)	16.5 (7.5)
140 (42.7)							140 (42.7)						15.0 (6.8)

This material is supplied for reference use only. Operator must refer to in-cab Crane Rating Manual and Operator's Manual to determine allowable crane lifting capacities and assembly and operating procedures.

85 ft (25.9m) Luffing Boom Length – 360° Rotation ABC + A Counterweight [92,000 lb (41.7mt) + 48,000 lb (21.8mt)] [All capacities are listed in kips (mt)]													
130 ft (39.6m) Luffing Jib Length							160 ft (48.8m) Luffing Jib Length						
Load Radius ft (m)	Luffing Boom Angle						Load Radius ft (m)	Luffing Boom Angle					
	90°	85°	80°	75°	70°	65°		90°	85°	80°	75°	70°	65°
50 (15.2)	30.4 (13.8)						50 (15.2)	26.0 (11.8)					
60 (18.3)	26.6 (12.1)	28.9 (13.1)					60 (18.3)	22.2 (10.1)					
70 (21.3)	23.8 (10.8)	25.5 (11.6)					70 (21.3)	19.8 (9.0)	21.2 (9.6)				
80 (24.4)	21.2 (9.6)	22.1 (10.0)	24.4 (11.1)				80 (24.4)	17.8 (8.1)	19.0 (8.6)				
90 (27.4)	19.7 (8.9)	20.3 (9.2)	21.3 (9.7)				90 (27.4)	16.3 (7.4)	17.1 (7.8)	18.2 (8.3)			
100 (30.5)	18.5 (8.4)	18.8 (8.5)	19.4 (8.8)	20.4 (9.3)			100 (30.5)	15.1 (6.8)	15.6 (7.1)	16.5 (7.5)			
110 (33.5)	17.7 (8.0)	17.7 (8.0)	18.0 (8.2)	18.7 (8.5)			110 (33.5)	14.0 (6.4)	14.4 (6.5)	15.0 (6.8)	15.9 (7.2)		
120 (36.6)	15.4 (7.0)	16.9 (7.7)	17.0 (7.7)	17.3 (7.8)	18.0 (8.2)		120 (36.6)	13.2 (6.0)	13.4 (6.1)	13.8 (6.3)	14.5 (6.6)		
130 (39.6)	12.6 (5.7)	15.2 (6.9)	16.3 (7.4)	16.3 (7.4)	16.5 (7.5)	15.8 (7.2)	130 (39.6)	12.6 (5.7)	12.6 (5.7)	12.9 (5.9)	13.3 (6.0)	13.9 (6.3)	
140 (42.7)		12.4 (5.6)	14.9 (6.8)	15.6 (7.1)	14.9 (6.8)	14.3 (6.5)	140 (42.7)	11.7 (5.3)	12.0 (5.4)	12.2 (5.5)	12.4 (5.6)	12.9 (5.9)	
150 (45.7)			12.0 (5.4)	14.2 (6.4)	13.6 (6.2)	12.9 (5.9)	150 (45.7)	9.9 (4.5)	11.6 (5.3)	11.6 (5.3)	11.7 (5.3)	11.9 (5.4)	12.2 (5.5)
160 (48.8)				11.0 (5.0)	12.4 (5.6)	11.8 (5.4)	160 (48.8)	8.1 (3.7)	9.8 (4.4)	11.2 (5.1)	11.2 (5.1)	11.3 (5.1)	11.1 (5.0)
170 (51.8)						10.8 (4.9)	170 (51.8)		8.0 (3.6)	9.7 (4.4)	10.8 (4.9)	10.7 (4.9)	10.1 (4.6)
180 (54.9)							180 (54.9)			7.8 (3.5)	9.5 (4.3)	9.7 (4.4)	9.2 (4.2)
190 (57.9)							190 (57.9)				7.2 (3.3)	8.9 (4.0)	8.4 (3.8)
200 (61.0)							200 (61.0)						7.7 (3.5)

This material is supplied for reference use only. Operator must refer to in-cab Crane Rating Manual and Operator's Manual to determine allowable crane lifting capacities and assembly and operating procedures.



105 ft (30.0m) Luffing Boom Length – 360° Rotation ABC + A Counterweight [92,000 lb (41.7mt) + 48,000 lb (21.8mt)] [All capacities are listed in kips (mt)]													
80 ft (24.4m) Luffing Jib Length							100 ft (30.5m) Luffing Jib Length						
Load Radius ft (m)	Luffing Boom Angle						Load Radius ft (m)	Luffing Boom Angle					
	90°	85°	80°	75°	70°	65°		90°	85°	80°	75°	70°	65°
29 (8.8)	52.2 (23.7)						29 (8.8)						
30 (9.1)	51.1 (23.2)						30 (9.1)						
40 (12.2)	42.7 (19.4)						40 (12.2)	39.2 (17.8)					
50 (15.2)	37.8 (17.1)	41.5 (18.8)					50 (15.2)	33.9 (15.4)					
60 (18.3)	34.5 (15.6)	36.4 (16.5)	40.3 (18.3)				60 (18.3)	30.3 (13.7)	33.0 (15.0)				
70 (21.3)	32.6 (14.8)	33.2 (15.1)	35.3 (16.0)				70 (21.3)	27.7 (12.6)	29.3 (13.3)	32.2 (14.6)			
80 (24.4)	26.6 (12.1)	31.3 (14.2)	32.1 (14.6)	32.7 (14.8)			80 (24.4)	25.9 (11.7)	26.8 (12.2)	28.5 (12.9)			
90 (27.4)		26.8 (12.2)	29.5 (13.4)	28.2 (12.8)	27.1 (12.3)		90 (27.4)	23.8 (10.8)	25.0 (11.3)	26.0 (11.8)	27.7 (12.6)		
100 (30.5)			25.9 (11.7)	24.7 (11.2)	23.6 (10.7)		100 (30.5)	19.8 (9.0)	23.9 (10.8)	24.2 (11.0)	24.2 (11.0)		
110 (33.5)				22.1 (10.0)	21.1 (9.6)	20.1 (9.1)	110 (33.5)		20.0 (9.1)	22.5 (10.2)	21.6 (9.8)	20.6 (9.3)	
120 (36.6)					18.9 (8.6)	18.0 (8.2)	120 (36.6)			20.2 (9.2)	19.4 (8.8)	18.4 (8.3)	17.5 (7.9)
130 (39.6)						16.2 (7.3)	130 (39.6)				17.4 (7.9)	16.6 (7.5)	15.7 (7.1)
140 (42.7)							140 (42.7)					15.0 (6.8)	14.2 (6.4)
150 (45.7)							150 (45.7)						12.9 (5.9)

This material is supplied for reference use only. Operator must refer to in-cab Crane Rating Manual and Operator’s Manual to determine allowable crane lifting capacities and assembly and operating procedures.

105 ft (30.0m) Luffing Boom Length – 360° Rotation ABC + A Counterweight [92,000 lb (41.7mt) + 48,000 lb (21.8mt)] [All capacities are listed in kips (mt)]													
130 ft (39.6m) Luffing Jib Length							160 ft (48.8m) Luffing Jib Length						
Load Radius ft (m)	Luffing Boom Angle						Load Radius ft (m)	Luffing Boom Angle					
	90°	85°	80°	75°	70°	65°		90°	85°	80°	75°	70°	65°
50 (15.2)	29.3 (13.3)						50 (15.2)	24.8 (11.2)					
60 (18.3)	25.8 (11.7)						60 (18.3)	21.3 (9.7)					
70 (21.3)	23.1 (10.5)	25.2 (11.4)					70 (21.3)	19.0 (8.6)					
80 (24.4)	20.7 (9.4)	21.9 (9.9)					80 (24.4)	17.2 (7.8)	18.7 (8.5)				
90 (27.4)	19.2 (8.7)	20.1 (9.1)	21.5 (9.8)				90 (27.4)	15.8 (7.2)	16.9 (7.7)				
100 (30.5)	18.1 (8.2)	18.6 (8.4)	19.5 (8.8)	21.0 (9.5)			100 (30.5)	14.6 (6.6)	15.3 (6.9)	16.5 (7.5)			
110 (33.5)	17.4 (7.9)	17.5 (7.9)	18.1 (8.2)	19.1 (8.7)			110 (33.5)	13.6 (6.2)	14.2 (6.4)	15.1 (6.8)			
120 (36.6)	15.4 (7.0)	16.7 (7.6)	17.0 (7.7)	17.6 (7.3)	17.6 (7.3)		120 (36.6)	12.8 (5.8)	13.2 (6.0)	13.8 (6.3)	14.8 (6.7)		
130 (39.6)	12.6 (5.7)	15.7 (7.1)	16.2 (7.3)	16.5 (7.5)	15.8 (7.2)		130 (39.6)	12.2 (5.5)	12.4 (5.6)	12.8 (5.8)	13.5 (6.1)		
140 (42.7)		12.9 (5.9)	15.8 (7.2)	15.1 (6.8)	14.3 (6.5)	13.5 (6.1)	140 (42.7)	11.7 (5.3)	11.8 (5.4)	12.1 (5.5)	12.5 (5.7)	13.3 (6.0)	
150 (45.7)			13.1 (5.9)	13.8 (6.3)	13.0 (5.9)	12.2 (5.5)	150 (45.7)	9.8 (4.4)	11.4 (5.2)	11.4 (5.2)	11.8 (5.4)	12.2 (5.5)	
160 (48.8)				12.6 (5.7)	11.8 (5.4)	11.1 (5.0)	160 (48.8)	8.1 (3.7)	10.1 (4.6)	11.0 (5.0)	11.1 (5.0)	11.1 (5.0)	10.3 (4.7)
170 (51.8)					10.8 (4.9)	10.1 (4.6)	170 (51.8)		8.3 (3.8)	10.3 (4.7)	10.7 (4.9)	10.1 (4.6)	9.4 (4.3)
180 (54.9)						9.3 (4.2)	180 (54.9)			8.5 (3.9)	9.9 (4.5)	9.2 (4.2)	8.6 (3.9)
190 (57.9)							190 (57.9)				8.6 (3.9)	8.4 (3.8)	7.8 (3.5)
200 (61.0)							200 (61.0)					7.7 (3.5)	7.1 (3.2)
210 (64.0)							210 (64.0)						6.5 (2.9)

This material is supplied for reference use only. Operator must refer to in-cab Crane Rating Manual and Operator's Manual to determine allowable crane lifting capacities and assembly and operating procedures.

135 ft (41.1m) Luffing Boom Length – 360° Rotation ABC + A Counterweight [92,000 lb (41.7mt) + 48,000 lb (21.8mt)] [All capacities are listed in kips (mt)]													
80 ft (24.4m) Luffing Jib Length							100 ft (30.5m) Luffing Jib Length						
Load Radius ft (m)	Luffing Boom Angle						Load Radius ft (m)	Luffing Boom Angle					
	90°	85°	80°	75°	70°	65°		90°	85°	80°	75°	70°	65°
29 (8.8)	47.5 (21.5)						29 (8.8)						
30 (9.1)	46.9 (21.3)						30 (9.1)						
40 (12.2)	40.6 (18.4)						40 (12.2)	36.8 (16.7)					
50 (15.2)	36.1 (16.4)	41.0 (18.6)					50 (15.2)	32.1 (14.6)					
60 (18.3)	33.1 (15.0)	35.8 (16.2)					60 (18.3)	28.8 (13.1)	32.4 (14.7)				
70 (21.3)	30.6 (13.9)	32.6 (14.8)	36.1 (16.4)				70 (21.3)	26.4 (12.0)	28.7 (13.0)				
80 (24.4)	26.6 (12.1)	30.2 (13.7)	32.3 (14.7)				80 (24.4)	24.8 (11.2)	26.1 (11.8)	28.9 (13.1)			
90 (27.4)		27.7 (12.6)	28.7 (13.0)	27.0 (12.2)			90 (27.4)	23.1 (10.5)	24.3 (11.0)	26.0 (11.8)			
100 (30.5)		19.2 (8.7)	25.2 (11.4)	23.7 (10.8)	22.4 (10.2)		100 (30.5)	19.7 (8.9)	22.9 (10.4)	24.0 (10.9)	23.1 (10.5)		
110 (33.5)			22.3 (10.1)	21.2 (9.6)	19.8 (9.0)		110 (33.5)		21.1 (9.6)	22.1 (10.0)	20.7 (9.4)		
120 (36.6)				18.9 (8.6)	17.7 (8.0)	16.5 (7.5)	120 (36.6)		14.5 (6.6)	19.8 (9.0)	18.5 (8.4)	17.2 (7.8)	
130 (39.6)					15.9 (7.2)	14.9 (6.8)	130 (39.6)			17.6 (8.0)	16.6 (7.5)	15.5 (7.0)	14.3 (6.5)
140 (42.7)						13.4 (6.1)	140 (42.7)				15.0 (6.8)	14.0 (6.4)	12.9 (5.9)
150 (45.7)							150 (45.7)					12.7 (5.8)	11.7 (5.3)
160 (48.8)							160 (48.8)						10.7 (4.9)

This material is supplied for reference use only. Operator must refer to in-cab Crane Rating Manual and Operator’s Manual to determine allowable crane lifting capacities and assembly and operating procedures.

135 ft (41.1m) Luffing Boom Length – 360° Rotation ABC + A Counterweight [92,000 lb (41.7mt) + 48,000 lb (21.8mt)] [All capacities are listed in kips (mt)]													
130 ft (39.6m) Luffing Jib Length							160 ft (48.8m) Luffing Jib Length						
Load Radius ft (m)	Luffing Boom Angle						Load Radius ft (m)	Luffing Boom Angle					
	90°	85°	80°	75°	70°	65°		90°	85°	80°	75°	70°	65°
50 (15.2)	27.3 (12.4)						50 (15.2)	21.1 (9.6)					
60 (18.3)	24.1 (10.9)						60 (18.3)	19.7 (8.9)					
70 (21.3)	21.3 (9.7)	24.4 (11.1)					70 (21.3)	17.6 (8.0)					
80 (24.4)	19.6 (8.9)	21.3 (9.7)					80 (24.4)	16.0 (7.3)	17.9 (8.1)				
90 (27.4)	18.2 (8.3)	19.4 (8.8)	21.5 (9.8)				90 (27.4)	14.7 (6.7)	16.2 (7.3)				
100 (30.5)	17.2 (7.8)	18.0 (8.2)	19.5 (8.8)				100 (30.5)	13.6 (6.2)	14.7 (6.7)	16.3 (7.4)			
110 (33.5)	16.5 (7.5)	16.9 (7.7)	17.9 (8.1)	19.6 (8.9)			110 (33.5)	12.7 (5.8)	13.5 (6.1)	14.9 (6.8)			
120 (36.6)	15.4 (7.0)	16.1 (7.3)	16.7 (7.6)	17.7 (8.0)			120 (36.6)	12.0 (5.4)	12.6 (5.7)	13.6 (6.2)			
130 (39.6)	12.6 (5.7)	15.4 (7.0)	15.8 (7.2)	15.9 (7.2)	14.6 (6.6)		130 (39.6)	11.4 (5.2)	11.8 (5.4)	12.5 (5.7)	13.7 (6.2)		
140 (42.7)		13.6 (6.2)	15.2 (6.9)	14.3 (6.5)	13.2 (6.0)		140 (42.7)	11.0 (5.0)	11.2 (5.1)	11.7 (5.3)	12.6 (5.7)		
150 (45.7)		9.6 (4.4)	14.1 (6.4)	13.0 (5.9)	12.0 (5.4)	10.9 (4.9)	150 (45.7)	9.8 (4.4)	10.7 (4.9)	11.1 (5.0)	11.7 (5.3)	11.2 (5.1)	
160 (48.8)			11.5 (5.2)	11.9 (5.4)	10.9 (4.9)	9.9 (4.5)	160 (48.8)	8.0 (3.6)	10.3 (4.7)	10.6 (4.8)	11.0 (5.0)	10.1 (4.6)	
170 (51.8)				10.8 (4.9)	9.9 (4.5)	9.0 (4.1)	170 (51.8)		8.7 (3.9)	10.2 (4.6)	10.1 (4.6)	9.2 (4.2)	8.2 (3.7)
180 (54.9)					9.1 (4.1)	8.2 (3.7)	180 (54.9)		6.2 (2.8)	9.4 (4.3)	9.3 (4.2)	8.3 (3.8)	7.4 (3.4)
190 (57.9)						7.5 (3.4)	190 (57.9)			7.4 (3.4)	8.5 (3.9)	7.6 (3.4)	6.7 (3.0)
200 (61.0)							200 (61.0)				7.8 (3.5)	6.9 (3.1)	6.0 (2.7)
210 (64.0)							210 (64.0)					6.4 (2.9)	5.3 (2.4)
220 (67.1)							220 (67.1)						4.8 (2.2)

This material is supplied for reference use only. Operator must refer to in-cab Crane Rating Manual and Operator's Manual to determine allowable crane lifting capacities and assembly and operating procedures.

165 ft (50.3m) Luffing Boom Length – 360° Rotation ABC + A Counterweight [92,000 lb (41.7mt) + 48,000 lb (21.8mt)] [All capacities are listed in kips (mt)]													
110 ft (33.5m) Luffing Jib Length							130 ft (39.6m) Luffing Jib Length						
Load Radius ft (m)	Luffing Boom Angle						Load Radius ft (m)	Luffing Boom Angle					
	90°	85°	80°	75°	70°	65°		90°	85°	80°	75°	70°	65°
37 (11.3)	28.9 (13.1)						37 (11.3)						
40 (12.2)	28.2 (12.8)						40 (12.2)						
50 (15.2)	25.6 (11.6)						50 (15.2)	21.8 (9.9)					
60 (18.3)	23.3 (10.6)	25.6 (11.6)					60 (18.3)	20.4 (9.3)					
70 (21.3)	21.2 (9.6)	23.4 (10.6)					70 (21.3)	18.7 (8.5)	20.5 (9.3)				
80 (24.4)	19.5 (8.8)	21.3 (9.7)					80 (24.4)	17.2 (7.8)	18.8 (8.5)				
90 (27.4)	18.1 (8.2)	19.7 (8.9)	21.5 (9.8)				90 (27.4)	15.9 (7.2)	17.4 (7.9)				
100 (30.5)	16.8 (7.6)	18.2 (8.3)	19.9 (9.0)				100 (30.5)	14.7 (6.7)	16.1 (7.3)	17.6 (8.0)			
110 (33.5)	15.7 (7.1)	16.9 (7.7)	18.4 (8.3)	19.0 (8.6)			110 (33.5)	13.7 (6.2)	14.9 (6.8)	16.3 (7.4)			
120 (36.6)		15.8 (7.2)	17.1 (7.8)	17.2 (7.8)			120 (36.6)	12.8 (5.8)	13.8 (6.3)	15.1 (6.8)	15.5 (7.0)		
130 (39.6)		13.6 (6.2)	15.7 (7.1)	15.4 (7.0)	13.9 (6.3)		130 (39.6)	12.0 (5.4)	12.9 (5.9)	14.1 (6.4)	14.6 (6.6)		
140 (42.7)			13.7 (6.2)	13.9 (6.3)	12.5 (5.7)		140 (42.7)		12.1 (5.5)	13.1 (5.9)	13.4 (6.1)	11.9 (5.4)	
150 (45.7)				12.6 (5.7)	11.3 (5.1)	10.1 (4.6)	150 (45.7)		10.3 (4.7)	11.9 (5.4)	12.2 (5.5)	10.8 (4.9)	
160 (48.8)				11.1 (5.0)	10.3 (4.7)	9.0 (4.1)	160 (48.8)			10.4 (4.7)	11.1 (5.0)	9.8 (4.4)	
170 (51.8)					9.4 (4.3)	8.0 (3.6)	170 (51.8)				10.1 (4.6)	8.9 (4.0)	7.4 (3.4)
180 (54.9)						7.2 (3.3)	180 (54.9)				8.5 (3.9)	8.1 (3.7)	6.5 (2.9)
190 (57.9)							190 (57.9)					7.3 (3.3)	5.8 (2.6)
200 (61.0)							200 (61.0)						5.2 (2.4)

This material is supplied for reference use only. Operator must refer to in-cab Crane Rating Manual and Operator’s Manual to determine allowable crane lifting capacities and assembly and operating procedures.

165 ft (50.3m) Luffing Boom Length – 360° Rotation ABC + A Counterweight [92,000 lb (41.7mt) + 48,000 lb (21.8mt)] [All capacities are listed in kips (mt)]													
140 ft (42.76m) Luffing Jib Length							160 ft (48.8m) Luffing Jib Length						
Load Radius ft (m)	Luffing Boom Angle						Load Radius ft (m)	Luffing Boom Angle					
	90°	85°	80°	75°	70°	65°		90°	85°	80°	75°	70°	65°
50 (15.2)	19.4 (8.8)						50 (15.2)	14.8 (6.7)					
60 (18.3)	18.4 (8.3)						60 (18.3)	14.2 (6.4)					
70 (21.3)	17.2 (7.8)	19.0 (8.6)					70 (21.3)	13.4 (6.1)					
80 (24.4)	16.0 (7.3)	17.6 (8.0)					80 (24.4)	12.5 (5.7)	15.2 (6.9)				
90 (27.4)	14.8 (6.7)	16.2 (7.3)					90 (27.4)	11.7 (5.3)	14.0 (6.4)				
100 (30.5)	13.7 (6.2)	15.0 (6.8)	16.5 (7.5)				100 (30.5)	10.8 (4.9)	12.9 (5.6)				
110 (33.5)	12.6 (5.7)	13.9 (6.3)	15.3 (6.9)				110 (33.5)	9.9 (4.5)	12.0 (5.4)	13.2 (6.0)			
120 (36.6)	11.7 (5.3)	12.9 (5.9)	14.2 (6.4)				120 (36.6)	9.1 (4.1)	11.1 (5.0)	12.2 (5.5)			
130 (39.6)	10.9 (4.9)	12.0 (5.4)	13.2 (6.0)	13.5 (6.1)			130 (39.6)	8.4 (3.8)	10.3 (4.7)	11.4 (5.2)			
140 (42.7)	10.3 (4.7)	11.2 (5.1)	12.3 (5.6)	12.8 (5.8)			140 (42.7)	7.7 (3.5)	9.6 (4.4)	10.6 (4.8)	10.8 (4.9)		
150 (45.7)		10.5 (4.8)	11.4 (5.2)	11.9 (5.4)	10.5 (4.8)		150 (45.7)	7.2 (3.3)	8.9 (4.0)	9.8 (4.4)	10.2 (4.6)		
160 (48.8)		9.0 (4.1)	10.3 (4.7)	10.8 (4.9)	9.5 (4.3)		160 (48.8)	6.9 (3.1)	8.3 (3.8)	9.2 (4.2)	9.5 (4.3)	8.9 (4.0)	
170 (51.8)			9.0 (4.1)	9.8 (4.4)	8.6 (3.9)	7.0 (3.2)	170 (51.8)		7.8 (3.5)	8.4 (3.8)	8.8 (4.0)	8.0 (3.6)	
180 (54.9)				8.9 (4.0)	7.7 (3.5)	6.2 (2.8)	180 (54.9)		6.5 (2.9)	7.6 (3.4)	8.0 (3.6)	7.0 (3.2)	5.5 (2.5)
190 (57.9)				7.3 (3.3)	6.9 (3.1)	5.5 (2.5)	190 (57.9)			6.6 (3.0)	7.3 (3.3)	6.3 (2.9)	4.8 (2.2)
200 (61.0)					6.3 (2.9)	4.8 (2.2)	200 (61.0)				6.5 (2.9)	5.6 (2.5)	4.1 (1.9)
210 (64.0)						4.3 (2.0)	210 (64.0)				5.2 (2.4)	4.9 (2.2)	3.6 (1.6)
220 (67.1)							220 (67.1)					4.4 (2.0)	3.0 (1.4)
230 (70.1)							230 (70.1)						2.6 (1.2)

This material is supplied for reference use only. Operator must refer to in-cab Crane Rating Manual and Operator's Manual to determine allowable crane lifting capacities and assembly and operating procedures.

135 ft (41.1m) Luffing Boom Length – 30 ft (9.1m) Fixed Jib Length – 360° Rotation ABC + A Counterweight [92,000 lb (41.7mt) + 48,000 lb (21.8mt)] [All capacities are listed in kips (mt)]													
80 ft (24.4m) Luffing Jib Length							100 ft (30.5m) Luffing Jib Length						
Load Radius ft (m)	Luffing Boom Angle						Load Radius ft (m)	Luffing Boom Angle					
	90°	85°	80°	75°	70°	65°		90°	85°	80°	75°	70°	65°
40 (12.2)	22.7 (10.3)						40 (12.2)						
50 (15.2)	22.7 (10.3)						50 (15.2)	22.7 (10.3)					
60 (18.3)	22.7 (10.3)						60 (18.3)	22.7 (10.3)					
70 (21.3)	22.7 (10.3)	22.7 (10.3)					70 (21.3)	20.7 (9.4)	22.7 (10.3)				
80 (24.4)	22.1 (10.0)	22.7 (10.3)					80 (24.4)	19.1 (8.7)	20.8 (9.4)				
90 (27.4)	20.2 (9.2)	21.8 (9.9)	22.7 (10.3)				90 (27.4)	17.7 (8.0)	18.9 (8.6)	21.1 (9.6)			
100 (30.5)	17.8 (8.1)	20.5 (9.3)	21.6 (9.8)				100 (30.5)	16.7 (7.6)	17.5 (7.9)	19.1 (8.7)			
110 (33.5)	16.0 (7.3)	18.2 (8.3)	20.2 (9.2)	20.4 (9.3)			110 (33.5)	16.0 (7.3)	16.4 (7.4)	17.4 (7.9)			
120 (36.6)	12.6 (5.7)	16.3 (7.4)	18.5 (8.4)	18.2 (8.3)	16.8 (7.6)		120 (36.6)	15.0 (6.8)	15.6 (7.1)	16.3 (7.4)	17.5 (7.9)		
130 (39.6)		14.7 (6.7)	16.6 (7.5)	16.4 (7.4)	15.1 (6.8)		130 (39.6)	12.9 (5.9)	15.0 (6.8)	15.4 (7.0)	15.8 (7.2)		
140 (42.7)			15.0 (6.8)	14.8 (6.7)	13.7 (6.2)	12.6 (5.7)	140 (42.7)		13.9 (6.3)	14.7 (6.7)	14.3 (6.5)	13.1 (5.9)	
150 (45.7)				13.5 (6.1)	12.4 (5.6)	11.4 (5.2)	150 (45.7)		11.0 (5.0)	14.1 (6.4)	13.0 (5.9)	11.9 (5.4)	
160 (48.8)					11.3 (5.1)	10.4 (4.7)	160 (48.8)			12.0 (5.4)	11.8 (5.4)	10.8 (4.9)	9.8 (4.4)
170 (51.8)						9.5 (4.3)	170 (51.8)				10.8 (4.9)	9.8 (4.4)	8.9 (4.0)
180 (54.9)							180 (54.9)					9.0 (4.1)	8.1 (3.7)
190 (57.9)							190 (57.9)						7.4 (3.4)

This material is supplied for reference use only. Operator must refer to in-cab Crane Rating Manual and Operator's Manual to determine allowable crane lifting capacities and assembly and operating procedures.

135 ft (41.1m) Luffing Boom Length – 30 ft (9.1m) Fixed Jib Length – 360° Rotation ABC + A Counterweight [92,000 lb (41.7mt) + 48,000 lb (21.8mt)] [All capacities are listed in kips (mt)]													
130 ft (39.6m) Luffing Jib Length							150 ft (45.7m) Luffing Jib Length						
Load Radius ft (m)	Luffing Boom Angle						Load Radius ft (m)	Luffing Boom Angle					
	90°	85°	80°	75°	70°	65°		90°	85°	80°	75°	70°	65°
60 (18.3)	18.9 (8.6)						60 (18.3)	14.2 (6.4)					
70 (21.3)	17.0 (7.7)						70 (21.3)	13.6 (6.2)					
80 (24.4)	15.3 (6.9)	17.2 (7.8)					80 (24.4)	12.9 (5.9)					
90 (27.4)	14.1 (6.4)	15.5 (7.0)					90 (27.4)	11.9 (5.4)	13.4 (6.1)				
100 (30.5)	13.0 (5.9)	14.1 (6.4)					100 (30.5)	10.9 (4.9)	12.1 (5.5)				
110 (33.5)	12.1 (5.5)	12.9 (5.9)	14.3 (6.5)				110 (33.5)	10.0 (4.5)	10.9 (4.9)				
120 (36.6)	11.4 (5.2)	12.0 (5.4)	13.0 (5.9)				120 (36.6)	9.3 (4.2)	10.0 (4.5)	11.1 (5.0)			
130 (39.6)	10.8 (4.9)	11.2 (5.1)	12.0 (5.4)	13.1 (5.9)			130 (39.6)	8.7 (3.9)	9.3 (4.2)	10.1 (4.6)			
140 (42.7)	10.3 (4.7)	10.6 (4.8)	11.2 (5.1)	12.1 (5.5)			140 (42.7)	7.9 (3.6)	8.6 (3.9)	9.3 (4.2)	10.3 (4.7)		
150 (45.7)	9.5 (4.3)	10.2 (4.6)	10.5 (4.8)	11.1 (5.0)	11.0 (5.0)		150 (45.7)	7.1 (3.2)	8.1 (3.7)	8.6 (3.9)	9.4 (4.3)		
160 (48.8)	8.2 (3.7)	9.7 (4.4)	10.0 (4.5)	10.5 (4.8)	9.9 (4.5)		160 (48.8)	6.5 (2.9)	7.7 (3.5)	8.1 (3.7)	8.6 (3.9)		
170 (51.8)		8.8 (4.0)	9.7 (4.4)	9.9 (4.5)	9.0 (4.1)		170 (51.8)	4.5 (2.0)	7.4 (3.4)	7.6 (3.4)	8.0 (3.6)	8.4 (3.8)	
180 (54.9)		6.9 (3.1)	9.2 (4.2)	9.1 (4.1)	8.2 (3.7)	7.1 (3.2)	180 (54.9)	2.4 (1.1)	5.4 (2.4)	7.2 (3.3)	7.6 (3.4)	7.6 (3.4)	
190 (57.9)			7.7 (3.5)	8.3 (3.8)	7.4 (3.4)	6.3 (2.9)	190 (57.9)		3.2 (1.5)	6.2 (2.8)	7.2 (3.3)	6.8 (3.1)	5.5 (2.5)
200 (61.0)				7.6 (3.4)	6.7 (3.0)	5.5 (2.5)	200 (61.0)			3.9 (1.8)	6.9 (3.1)	6.0 (2.7)	4.8 (2.2)
210 (64.0)					6.1 (2.8)	4.9 (2.2)	210 (64.0)				4.6 (2.1)	5.3 (2.4)	4.1 (1.9)
220 (67.1)						4.3 (2.0)	220 (67.1)				2.4 (1.1)	4.7 (2.1)	3.5 (1.6)
230 (70.1)							230 (70.1)					3.0 (1.4)	3.0 (1.4)
240 (73.2)							240 (73.2)						2.5 (1.1)

This material is supplied for reference use only. Operator must refer to in-cab Crane Rating Manual and Operator's Manual to determine allowable crane lifting capacities and assembly and operating procedures.



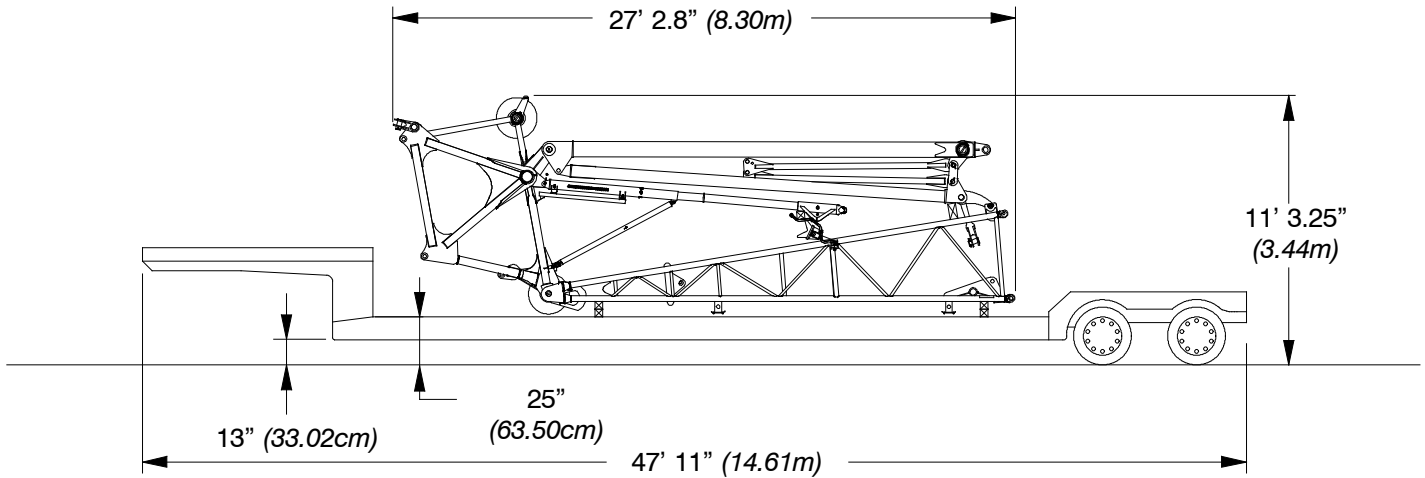
165 ft (50.3m) Luffing Boom Length – 30 ft (9.1m) Fixed Jib Length – 360° Rotation ABC + A Counterweight [92,000 lb (41.7mt) + 48,000 lb (21.8mt)] [All capacities are listed in kips (mt)]													
110 ft (33.5m) Luffing Jib Length							130 ft (39.6m) Luffing Jib Length						
Load Radius ft (m)	Luffing Boom Angle						Load Radius ft (m)	Luffing Boom Angle					
	90°	85°	80°	75°	70°	65°		90°	85°	80°	75°	70°	65°
47 (14.3)	18.0 (8.2)						47 (14.3)						
50 (15.2)	17.8 (8.1)						50 (15.2)						
60 (18.3)	17.0 (7.7)						60 (18.3)	12.7 (5.8)					
70 (21.3)	16.0 (7.3)						70 (21.3)	12.1 (5.5)					
80 (24.4)	15.0 (6.8)	16.7 (7.6)					80 (24.4)	11.4 (5.2)	14.1 (6.4)				
90 (27.4)	13.9 (6.3)	15.4 (7.0)					90 (27.4)	10.6 (4.8)	13.0 (5.9)				
100 (30.5)	12.8 (5.8)	14.2 (6.4)	15.5 (7.0)				100 (30.5)	9.8 (4.4)	12.0 (5.4)				
110 (33.5)	11.8 (5.4)	13.2 (6.0)	14.4 (6.5)				110 (33.5)	8.9 (4.0)	11.1 (5.0)	12.2 (5.5)			
120 (36.6)	10.8 (4.9)	12.2 (5.5)	13.4 (6.1)				120 (36.6)	8.2 (3.7)	10.3 (4.7)	11.4 (5.2)			
130 (39.6)	10.0 (4.5)	11.4 (5.2)	12.4 (5.6)	12.6 (5.7)			130 (39.6)	7.5 (3.4)	9.5 (4.3)	10.5 (4.8)			
140 (42.7)	9.4 (4.3)	10.6 (4.8)	11.6 (5.3)	11.9 (5.4)			140 (42.7)	6.8 (3.1)	8.8 (4.0)	9.8 (4.4)	9.8 (4.4)		
150 (45.7)		9.9 (4.5)	10.8 (4.9)	11.1 (5.0)	10.3 (4.7)		150 (45.7)	6.3 (2.9)	8.2 (3.7)	9.1 (4.1)	9.2 (4.2)		
160 (48.8)		8.7 (3.9)	9.8 (4.4)	10.2 (4.6)	9.3 (4.2)		160 (48.8)	5.9 (2.7)	7.6 (3.4)	8.4 (3.8)	8.7 (3.9)	7.9 (3.6)	
170 (51.8)			8.6 (3.9)	9.3 (4.2)	8.3 (3.8)		170 (51.8)		7.0 (3.2)	7.8 (3.5)	8.0 (3.6)	7.5 (3.4)	
180 (54.9)				8.4 (3.8)	7.4 (3.4)	5.8 (2.6)	180 (54.9)		6.2 (2.8)	7.0 (3.2)	7.3 (3.3)	6.6 (3.0)	
190 (57.9)				7.1 (3.2)	6.6 (3.0)	5.0 (2.3)	190 (57.9)			6.1 (2.8)	6.6 (3.0)	5.8 (2.6)	4.2 (1.9)
200 (61.0)					5.9 (2.7)	4.4 (2.0)	200 (61.0)				5.9 (2.7)	5.1 (2.3)	3.6 (1.6)
210 (64.0)						3.9 (1.8)	210 (64.0)				4.9 (2.2)	4.5 (2.0)	3.0 (1.4)
220 (67.1)							220 (67.1)					3.9 (1.8)	2.5 (1.1)
230 (70.1)							230 (70.1)						2.1 (1.0)

This material is supplied for reference use only. Operator must refer to in-cab Crane Rating Manual and Operator's Manual to determine allowable crane lifting capacities and assembly and operating procedures.

165 ft (50.3m) Luffing Boom Length – 30 ft (9.1m) Fixed Jib Length – 360° Rotation ABC + A Counterweight [92,000 lb (41.7mt) + 48,000 lb (21.8mt)] [All capacities are listed in kips (mt)]													
140 ft (42.7m) Luffing Jib Length							150 ft (45.7m) Luffing Jib Length						
Load Radius ft (m)	Luffing Boom Angle						Load Radius ft (m)	Luffing Boom Angle					
	90°	85°	80°	75°	70°	65°		90°	85°	80°	75°	70°	65°
60 (18.3)	10.8 (4.9)						60 (18.3)	8.9 (4.0)					
70 (21.3)	10.3 (4.7)						70 (21.3)	8.5 (3.9)					
80 (24.4)	9.7 (4.4)						80 (24.4)	8.0 (3.6)					
90 (27.4)	9.0 (4.1)	11.9 (5.4)					90 (27.4)	7.5 (3.4)	10.4 (4.7)				
100 (30.5)	8.3 (3.8)	11.0 (5.0)					100 (30.5)	6.9 (3.1)	9.9 (4.5)				
110 (33.5)	7.6 (3.4)	10.1 (4.6)					110 (33.5)	6.3 (2.9)	9.1 (4.1)				
120 (36.6)	6.9 (3.1)	9.3 (4.2)	10.3 (4.7)				120 (36.6)	5.7 (2.6)	8.4 (3.8)	9.4 (4.3)			
130 (39.6)	6.2 (2.8)	8.6 (3.9)	9.6 (4.4)				130 (39.6)	5.1 (2.3)	7.8 (3.5)	8.6 (3.9)			
140 (42.7)	5.7 (2.6)	8.0 (3.6)	8.9 (4.0)	8.7 (3.9)			140 (42.7)	4.5 (2.0)	7.1 (3.2)	8.0 (3.6)			
150 (45.7)	5.1 (2.3)	7.4 (3.4)	8.2 (3.7)	8.3 (3.8)			150 (45.7)	4.0 (1.8)	6.4 (2.9)	7.4 (3.4)	7.3 (3.3)		
160 (48.8)	4.7 (2.1)	6.7 (3.0)	7.6 (3.4)	7.8 (3.5)			160 (48.8)	3.6 (1.6)	5.8 (2.6)	6.8 (3.1)	6.9 (3.1)		
170 (51.8)	4.4 (2.0)	6.0 (2.7)	7.1 (3.2)	7.2 (3.3)	6.6 (3.0)		170 (51.8)	3.3 (1.5)	5.1 (2.3)	6.3 (2.9)	6.5 (2.9)		
180 (54.9)		5.4 (2.4)	6.4 (2.9)	6.7 (3.0)	6.2 (2.8)		180 (54.9)	2.3 (1.0)	4.5 (2.0)	5.8 (2.6)	5.9 (2.7)	5.4 (2.4)	
190 (57.9)		5.0 (2.3)	5.7 (2.6)	6.1 (2.8)	5.4 (2.4)	3.8 (1.7)	190 (57.9)		3.7 (1.7)	5.2 (2.4)	5.4 (2.4)	5.0 (2.3)	
200 (61.0)			5.0 (2.3)	5.4 (2.4)	4.7 (2.1)	3.2 (1.5)	200 (61.0)			4.6 (2.1)	4.9 (2.2)	4.3 (2.0)	
210 (64.0)				4.8 (2.2)	4.1 (1.9)	2.6 (1.2)	210 (64.0)			2.8 (1.3)	4.3 (2.0)	3.7 (1.7)	
220 (67.1)				3.9 (1.8)	3.5 (1.6)	2.1 (1.0)	220 (67.1)				3.8 (1.7)	3.1 (1.4)	
230 (70.1)					3.0 (1.4)		230 (70.1)					2.6 (1.2)	
240 (73.2)							240 (73.2)					2.2 (1.0)	

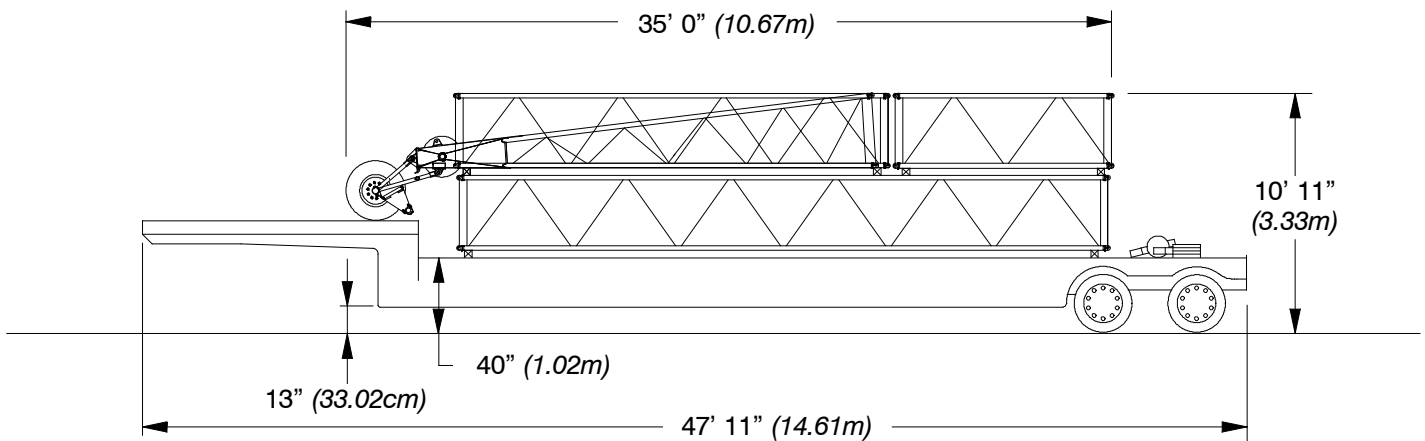
This material is supplied for reference use only. Operator must refer to in-cab Crane Rating Manual and Operator's Manual to determine allowable crane lifting capacities and assembly and operating procedures.

# Luffing Attachment Transport



## Luffing Attachment Shipping Module #1 – 8,250 lb (3 742kg)

Luffing jib base section, luffing boom top section, and the front and rear fan post.



## Luffing Attachment Shipping Module #2 – 10,374 lb (4 706kg)

Luffing jib top section with nose wheel, 30 ft (9.14m) extension (2 each), 20 ft (6.10m) extension, 10 ft (3.05m) extension (2 each), 25 Ton (22.68mt) hook block and 15 Ton (13.6mt) hook ball.

**Link-Belt Construction Equipment Company** Lexington, Kentucky    [www.linkbelt.com](http://www.linkbelt.com)

®Link-Belt is a registered trademark. Copyright 2008. We are constantly improving our products and therefore reserve the right to change designs and specifications.